



HERION & RAU  
Fluidtechnik GmbH

# Pressure Switch Series HDS

Electromechanical Pressure Switch

Switching point adjustable: 10 ...320 bar

Max. Pressure: 350 bar  
(600bar on request)

Hydraulics



---

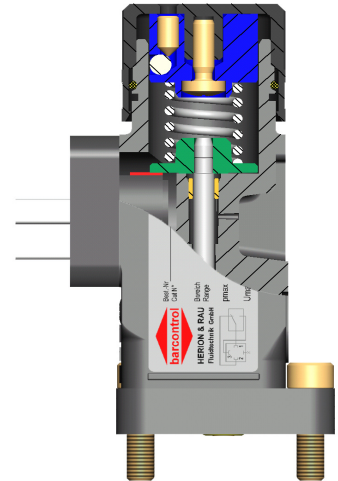
## Features

---

With the Pressure Switch series HDS hydraulic signals are changed into electric signals. The switching point is continuously adjustable by using an easy to handle adjusting knob within the operating pressure range ( see technical data → operating pressure). The switching point can be locked into position.

The built-in micro switch can be used as an opener, a closer, or a changer depending on particular connection. The pressure switch is intended for use under normal industrial conditions in technical equipment and machines with a maximum system pressure up to 350bar (up to 600bar on request). Models fore use in special environmental conditions, high pressures, different and special setting ranges, as well as other electric- and fluidic interfaces are available on request.

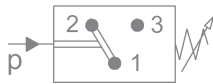
Optional: Socket with or without LED available (accessories).



---

## Switching Function

---



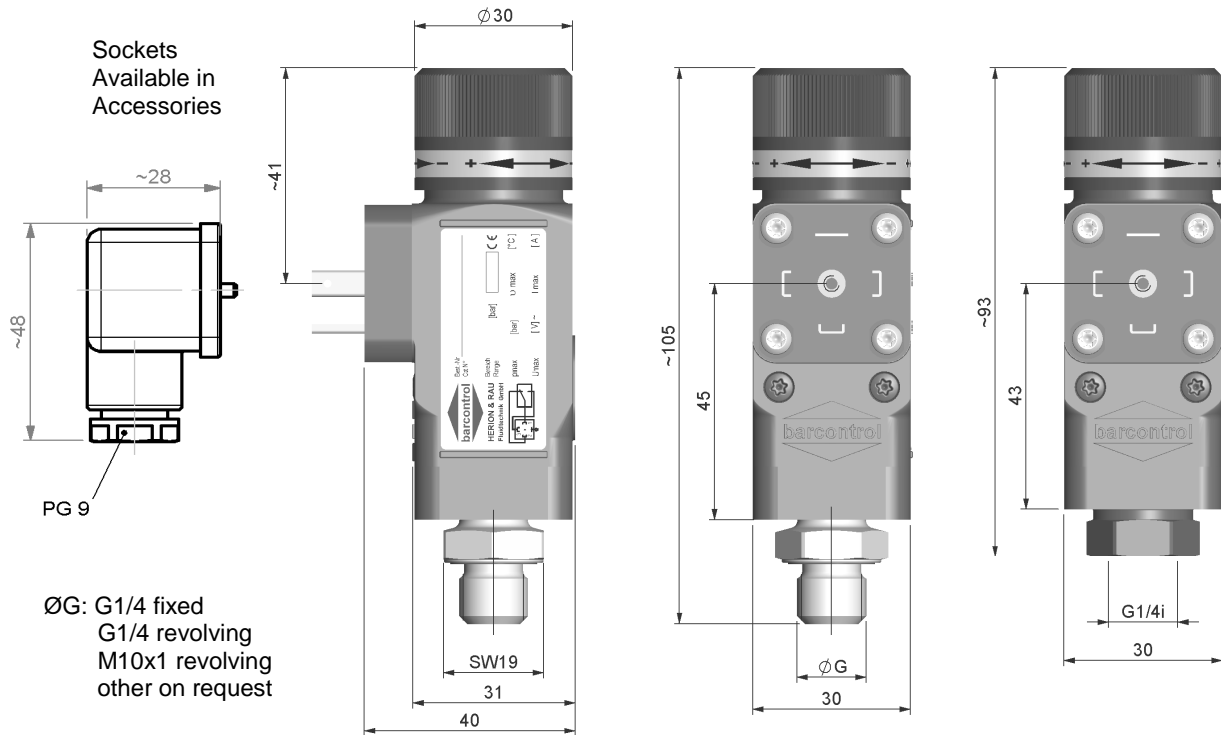
---

## Technical Data

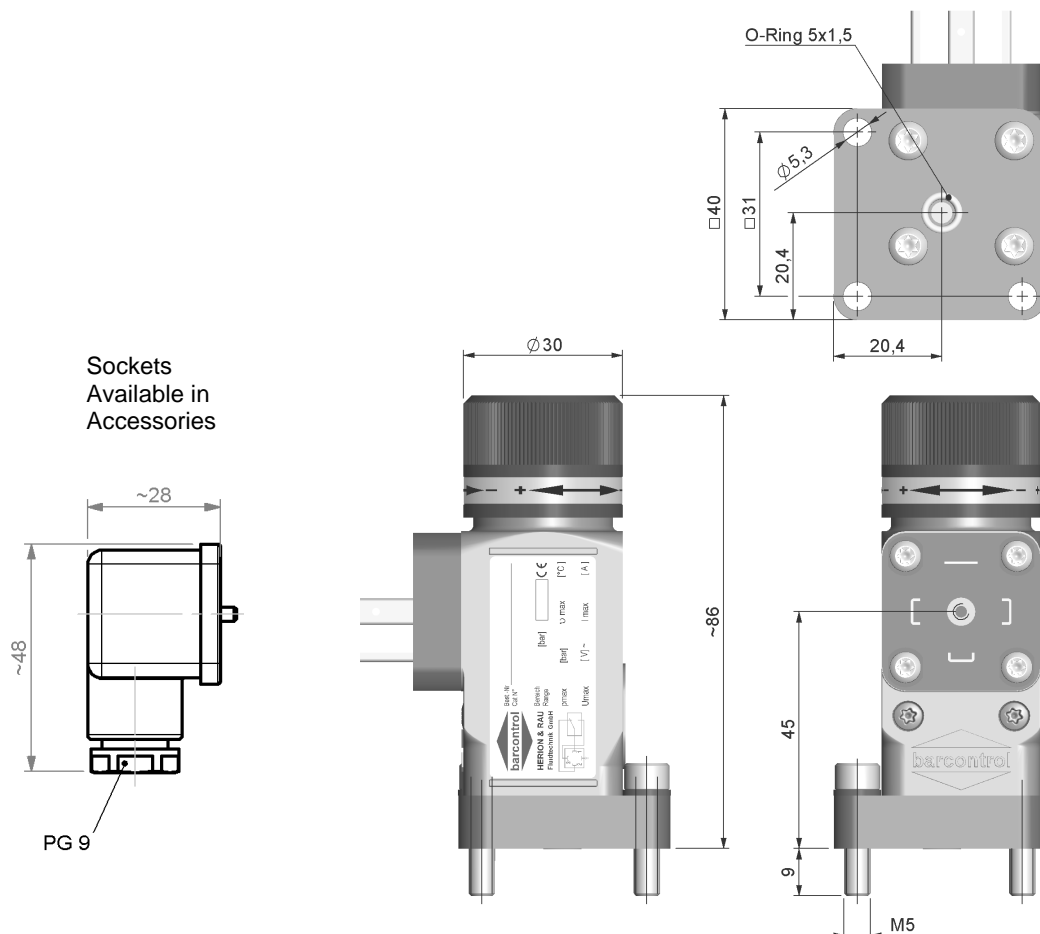
---

Operating fluid:	self-lubricating fluids like:hydraulic oil, grease, light heating oil
Fluid temperature:	max. 80°C
Fluid connection:	nipple G1/4", revolving or fixed, nipple M10x1 revolving, inside thread G1/4", vertical flange DIN ISO 16873
Surrounding temperature:	-10°C to +80°C
Maximum pressure:	350 bar system pressure ; upper pressure ranges on request
Operating pressure range:	10 ... 30 bar ; 10 ... 80 bar ; 10 ... 120 bar ; 10 ... 160 bar 20 ... 200 bar ; 20 ... 250 bar ; 30 ... 320 bar
Repeatability:	± 2 % of maximum operating pressure range
Differential reset:	see diagram page 4
Vibration resistance:	10g (10 ... 2000Hz)
Shock resistance:	30g
Mounting:	optional
Electrical connection:	according to DIN 43650, type A
Switching element:	Control unit
Operating voltage:	AC12, VDE0660: 4A / 250VAC ; AC14, VDE0660: 1A / 250VAC
Operating category:	DC12, VDE0660: 3A / 28VDC ; DC14, VDE0660: 4A / 28VDC
Degree of protection:	IP 65aterial:
Materials:	Housing: zinc pressure die-cast; zdjusting knob: aluminum coated seals: dynamic: PTFE ; static: NBR
Weight:	~ 0,325kg

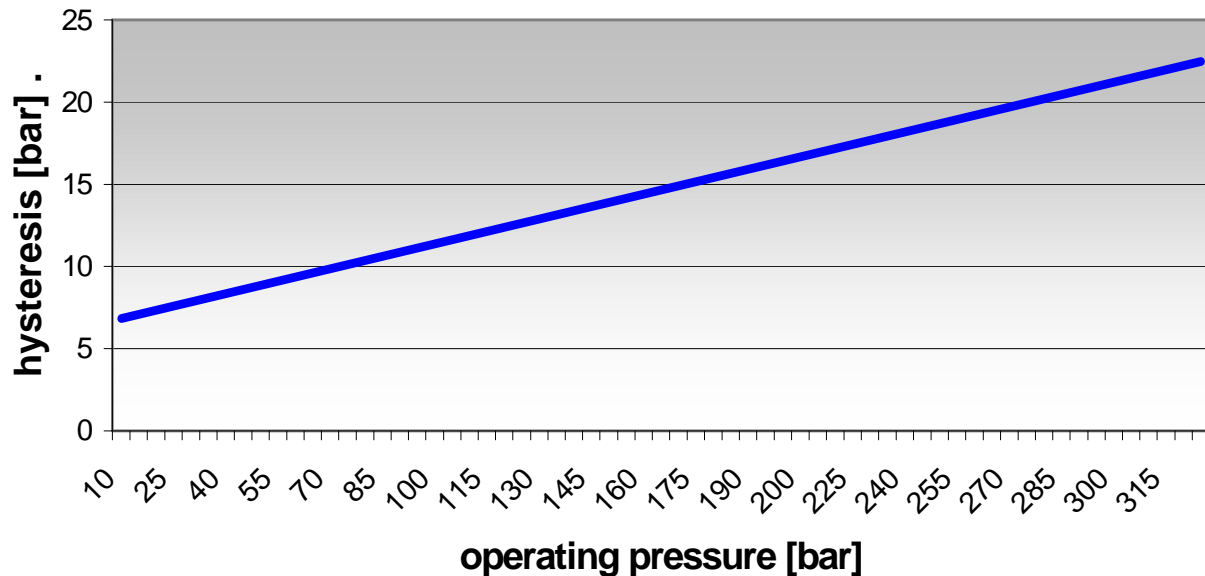
## Type of threading



## Vertical Flange Connection - ISO 16873

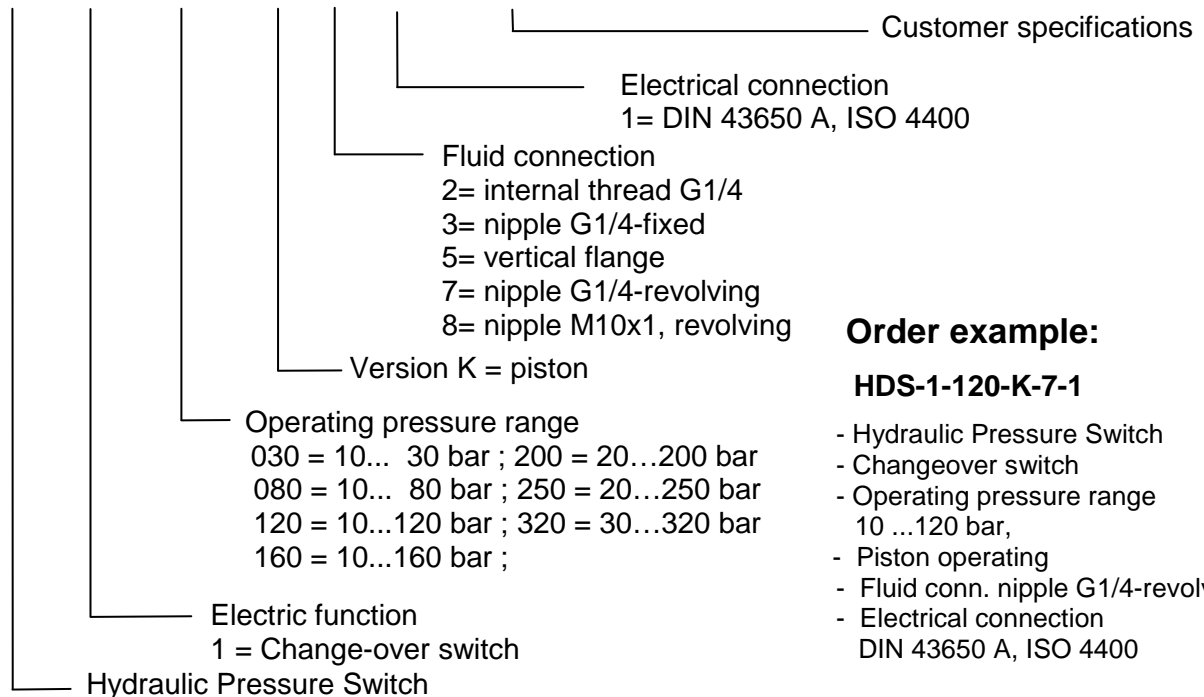


## Differential Reset



## Order Code

**HDS - 1 - XXX - K - X - 1 - GE XXX**



### Order example:

**HDS-1-120-K-7-1**

- Hydraulic Pressure Switch
- Changeover switch
- Operating pressure range 10 ...120 bar,
- Piston operating
- Fluid conn. nipple G1/4-revolving
- Electrical connection DIN 43650 A, ISO 4400

## Accessories

Socket – standard type DIN 43650, Form A	order-no. 11000
Socket with 2 integrated LED 28V	order-no. 11001
Socket with 2 integrated LED 110V	order-no. 11002
Socket with 2 integrated LED 220V	Order-no. 11003