

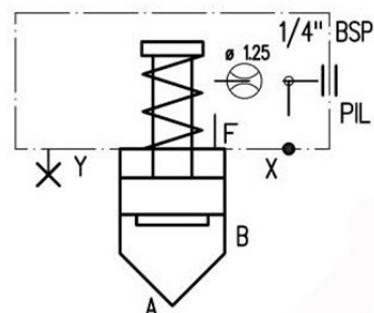
# NORMALLY OPENED LOGIC CARTRIDGE VALVE -

## DIN 24342 -

### Characteristics

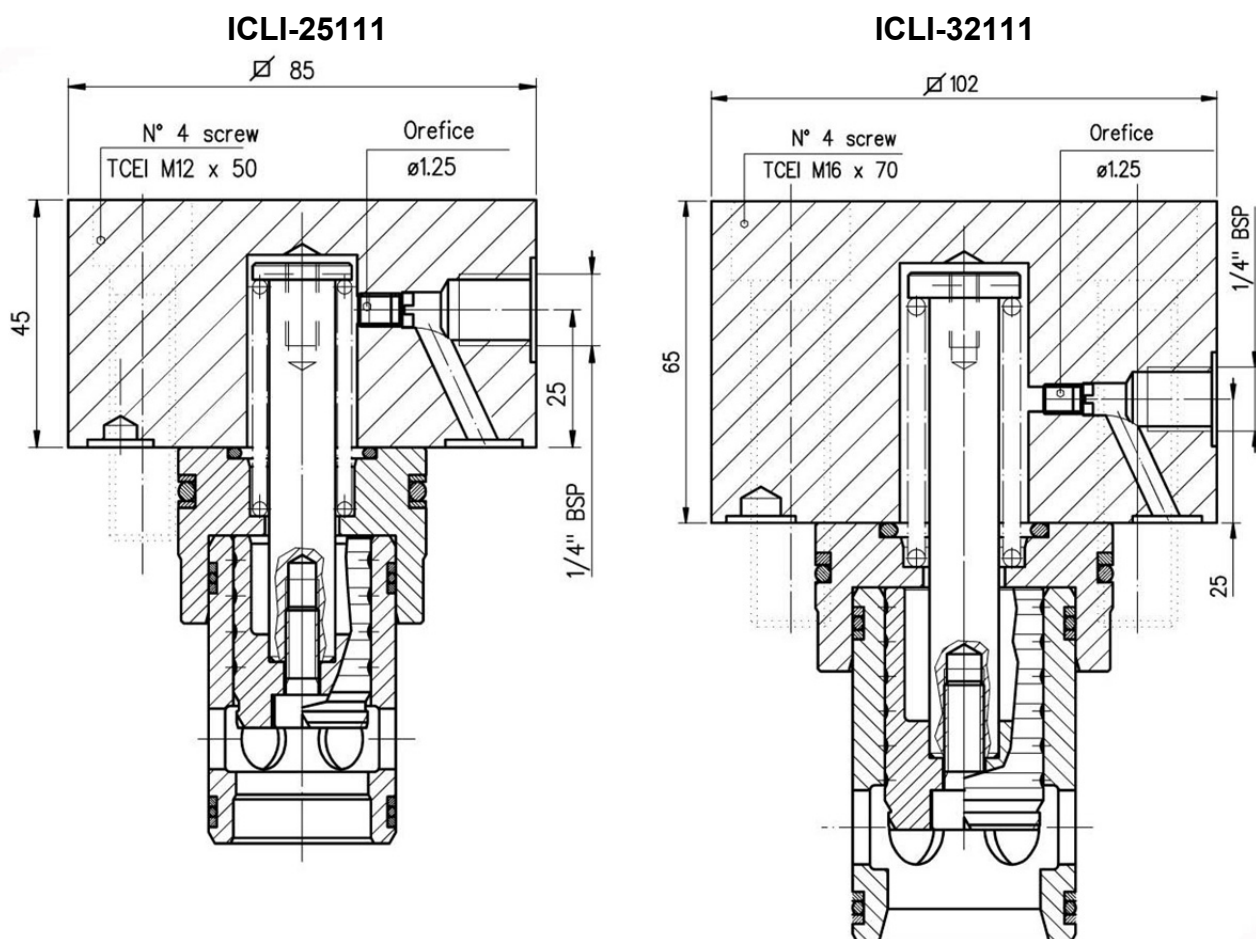
TYPE	SIZE	MAX WORKING PRESSURE	AREA RATIO
ICLI - 25111/NA	DN 25	350 bar	1 : 1.1
ICLI - 32111/NA	DN 32		

### Symbol



**Description** Normally opened poppet logic cartridges .  
Cavity dimensions in compliance with DIN 24342.

### Overall dimensions



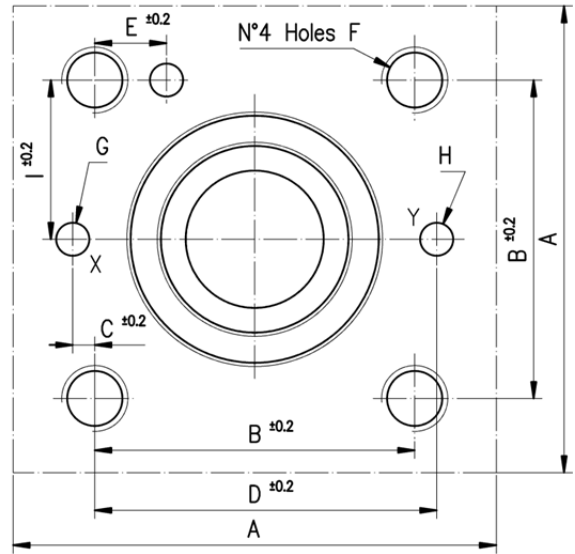
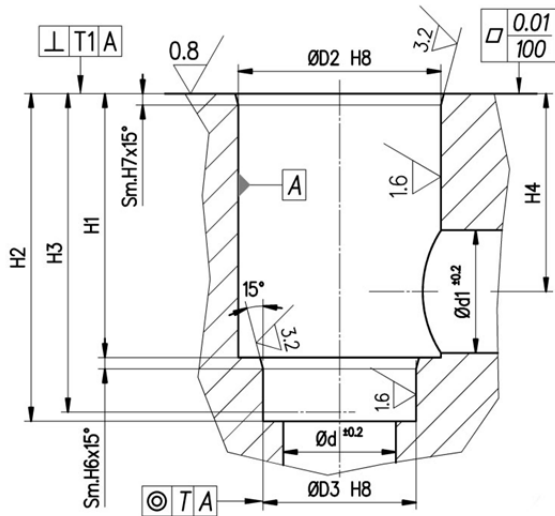
### Installation rules

- The cartridges type ICLI -\*\*111/NA can be mounted in any position
- Fluid to be used: hydraulic oil in compliance with DIN 51524 rules, viscosity between 30 and 100 mm<sup>2</sup>/s (cSt) at 40°C
- Recommended filtration: 25μ
- Hydraulic fluid temperature: from -20° to +75°C

# NORMALLY OPENED LOGIC CARTRIDGE VALVE -

## DIN 24342 -

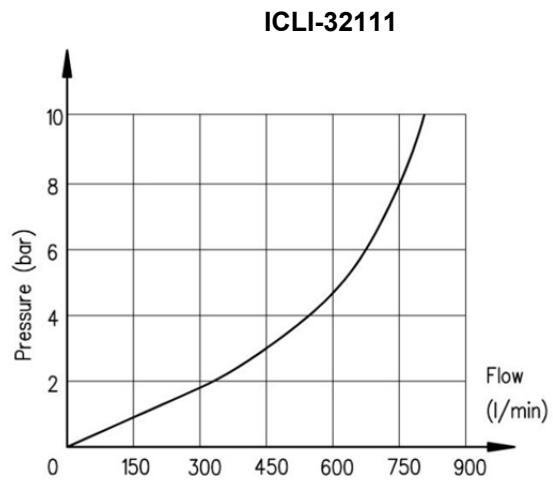
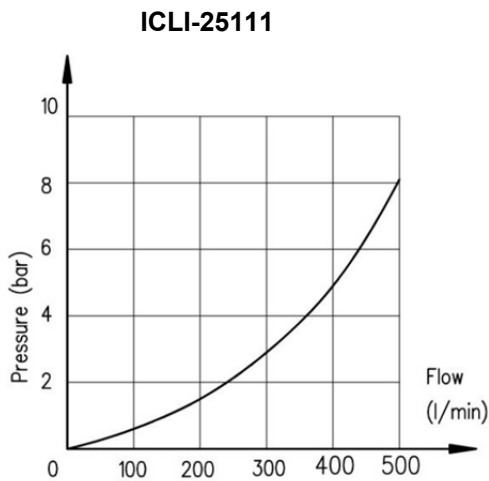
### Dimensions



TYPE	ICLI-25	ICLI-32	TIPO	ICLI-25	ICLI-32
$\varnothing d$	25	32	H3	70	83
$\varnothing d1$	27	38.5	H4 $\begin{smallmatrix} 0 \\ -0.1 \end{smallmatrix}$	43.5	49
$\varnothing D2$	45	60	H5	30	30
$\varnothing D3$	34	45	H6	2.5	2.5
H1 $\begin{smallmatrix} +0.1 \\ 0 \end{smallmatrix}$	58	70	H7	2.5	2.5
H2 $\begin{smallmatrix} +0.1 \\ 0 \end{smallmatrix}$	72	85	T	0.03	0.03
			T1	0.05	0.1

TYPE	ICLI-25	ICLI-32
A	85	102
B	58	70
C	4	6
D	62	76
E	13	18
F	M12x30	M16x38
G	6	8
H	6	8
I	29	35

### Overall dimensions



Ordering code **ICLI - \*\* 111 - NA / \***

