

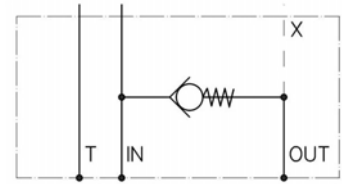
SUBPLATE EQUIPPED WITH CHECK AND THREADED PORTS FOR CETOP-06/R AND CETOP-08/R SIZE VALVES



Characteristics

Symbol

TYPE	CRACKING PRESSURE	PRESSURE	WEIGHT
SBRF- 06/R	0.5 bar	350 bar	4.8 Kg.
SBRF- 08/R	0.5 bar	350 bar	6.5 Kg.

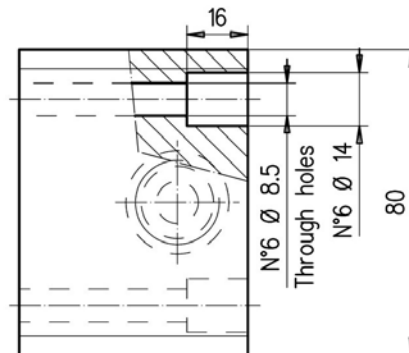
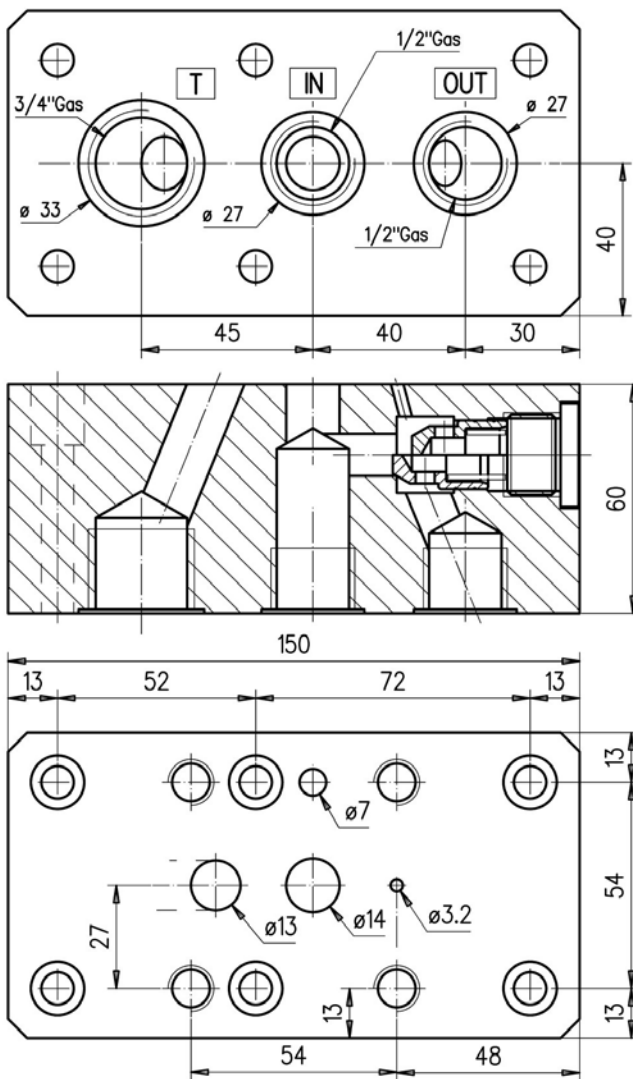


Description

Subplate equipped with check for CETOP-06R and CETOP-08R cut-off valve assembly.

Dimensions

CETOP-06/R

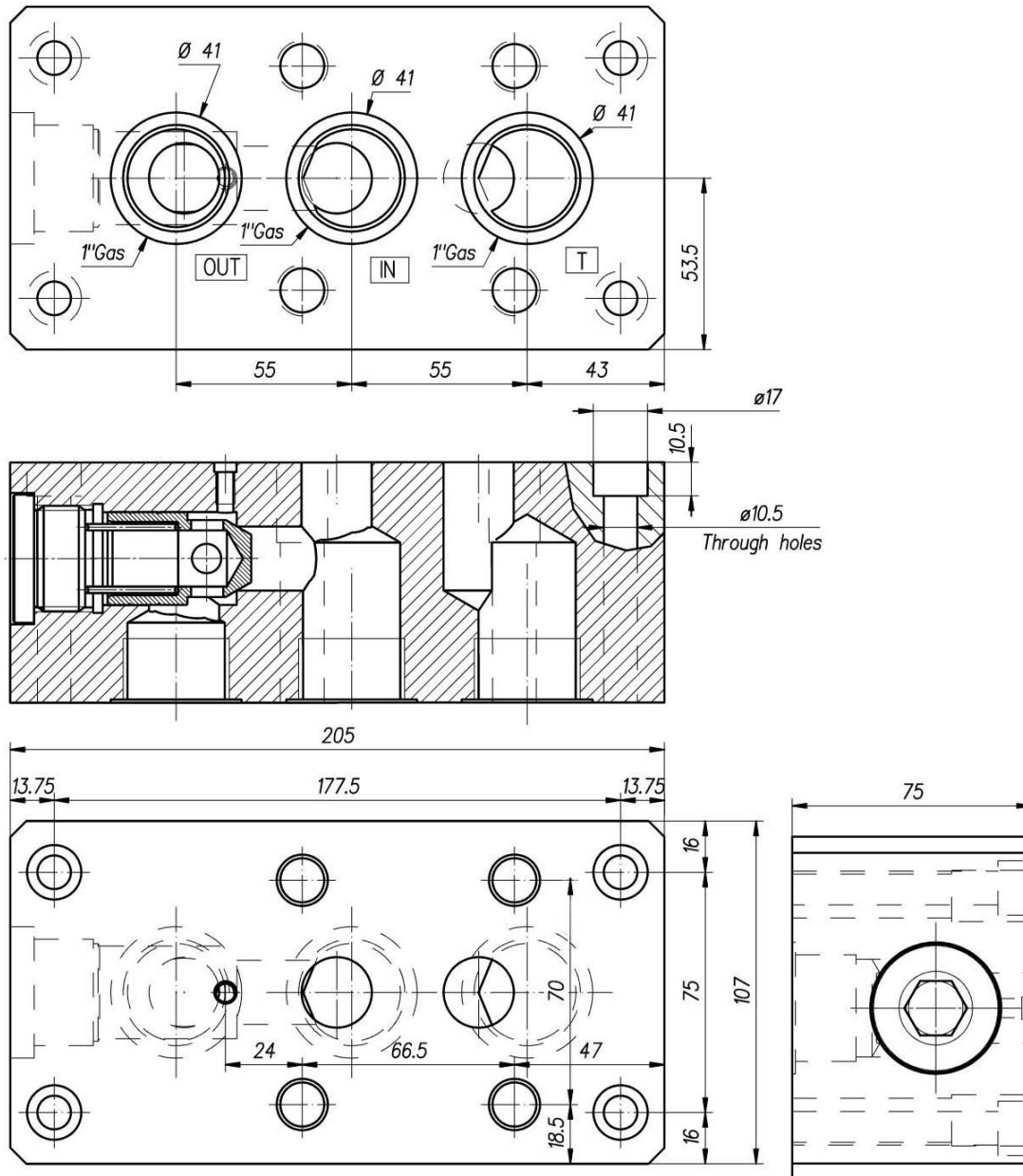


SUBPLATE EQUIPPED WITH CHECK AND THREADED PORTS FOR CETOP-06/R AND CETOP-08/R SIZE VALVES



Dimensions

CETOP-08/R



Installation rules

- Subplates type SBRF can be mounted in any position
- Fluid to be used: hydraulic oil in compliance with DIN 51524 rules, viscosity between 30 and 100 mm²/s (cSt) at 40°C
- Recommended filtration: 25 μ
- Hydraulic fluid temperature: from -20° to +75°

Ordering code

SBRF- ** /R

06 =CETOP-06R 08 =CETOP-08R

Subplate equipped with check for cut-off valve assembly