

RFA

1 MPa (10 bar)

Port sizes: 1/2" ÷ 1"

Flow rates: 30 ÷ 140 l/min

TECHNICAL DATA

Max. working pressure: 1 MPa (10 bar)

Fatigue test: 0 ÷ 1 MPa (10 bar) / 300.000 cycles min.

Bypass valve: Δp 170 kPa (1,7 bar) \pm 0,1 (CD-CV-MS-RT)

Δp 250 kPa (2,5 bar) \pm 0,3 (FV-FD-FC)

Filter element collapse pressure:

Δp 300 kPa (3 bar) CD - CV

Δp 1 MPa (10 bar) FD - FV - MS - RT

Working temperature: -25 ÷ +110°C

MATERIALS

Cover: polyamide

Head: aluminium

Bowl: polyamide

Seals: standard NBR

COMPATIBILITY (ISO 2943:1999)

Full with fluids: HH-HL-HM-HV-HTG

(according to ISO 6743/4).

For fluids different than the above mentioned, please contact our Sales Department.

All tests performed according to the following standards:

ISO 2941: Element collapse resistance test

ISO 2942: Production integrity test

ISO 2943: Fluids compatibility

ISO 3723: End load test method

ISO 3724: Flow fatigue resistance method

ISO 3968: Pressure drop versus flow rate

ISO 16889: Multipass test.

For further information contact our Technical Dept.

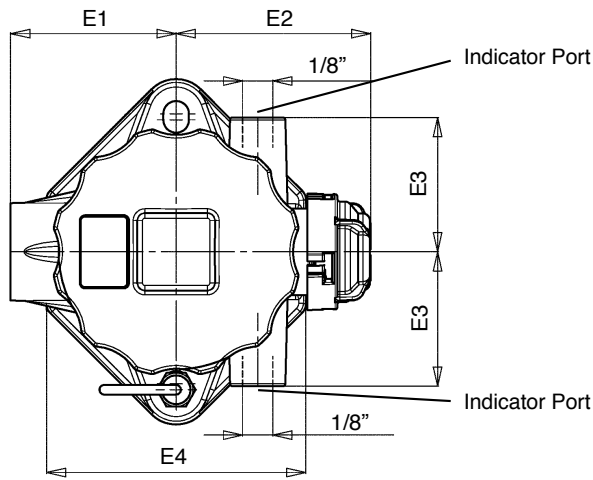
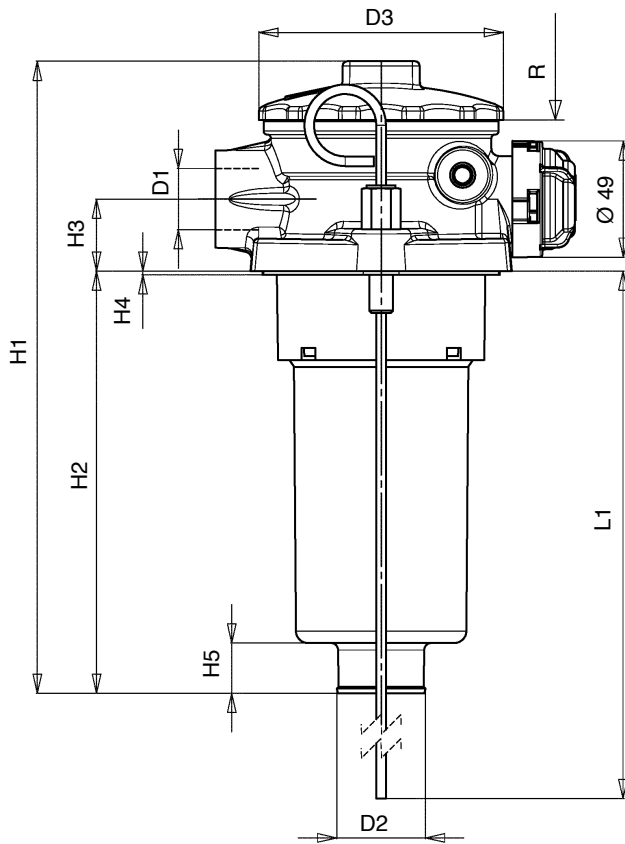
HOW TO ORDER THE COMPLETE FILTER

HOW TO ORDER THE FILTER ELEMENT

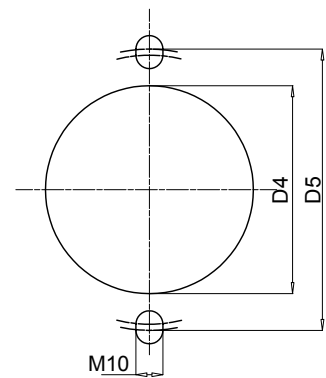
RFA	Type	110	210	220	230	Type	CRA
	Filter media					Filter media	
	FC = 7 μ m _(c) FD = 12 μ m _(c) FV = 21 μ m _(c) CD = 10 μ CV = 25 μ MS = 60 μ RT = 30 μ Inorganic fiber β >1000 Paper Steel wire mesh	FC FD FV CD CV MS RT	FC FD FV CD CV MS RT	FC FD FV CD CV MS RT	FC FD FV CD CV MS RT	FC = 7 μ m _(c) FD = 12 μ m _(c) FV = 21 μ m _(c) CD = 10 μ CV = 25 μ MS = 60 μ RT = 30 μ Inorganic fiber β >1000 Paper Steel wire mesh	
1	Seals					Seals	1
	1 = NBR Nitrile	1	1	1	1	1 = NBR Nitrile	
B	Bypass type						
	B = 170 kPa (1,7 bar) > CD - CV - MS - RT 250 kPa (2,5 bar) > FC - FD - FV	B	B	B	B		
	Ports						
	B = BSP N = NPT S = SAE	B N S	B N S	B N S	B N S		
	Port size						
	3 = 1/2" 4 = 3/4" 5 = 1"	3 4 -	- 4 5	- 4 5	- 4 5		
	Indicators					For filter elements	
	05 = Ports, plugged 30 = Pressure gauge P4 = Pressure switch 130 kPa (1,3 bar) - SPDT P6 = Pressure switch 200 kPa (2 bar) - SPDT	05 30 P4 P6	05 30 P4 P6	05 30 P4 P6	05 30 P4 P6	All models All models CD - CV - RT - MS FC - FD - FV	
	Accessories						
	S = Without C = With air breather, polyester D = With air breather, metal wire	S C D	S C D	S C D	S C D		
	Accessories						
	S = Without H = With dipstick	S H	S H	S H	S H		

DIMENSIONAL LAYOUT

(mm)



TANK MOUNTING PATTERN



Type	D1	D2	D3	D4	D5	E1	E2	E3	E4	H1	H2	H3	H4	H5	L1	R	Weight Kg
RFA110	1/2" ÷ 3/4"	28	75	60÷63	82÷88	50	70	28	77	243	178	24	2	16	380	220	0,40
RFA210	3/4" ÷ 1"	36	104	87÷91	110÷115	70	83	37	108	200	110	30	1,5	22	370	190	0,84
RFA220	3/4" ÷ 1"	36	104	87÷91	110÷115	70	83	37	108	265	175	30	1,5	22	370	240	0,87
RFA230	3/4" ÷ 1"	36	104	87÷91	110÷115	70	83	37	108	365	275	30	1,5	22	370	350	0,92

CLOGGING INDICATORS

NBR	FKM	Pressure gauge	
30	-	Scale 0 ÷ 600 kPa (6 bar)	

NBR	FKM	Pressure switch	
P4	-	Setting 130 kPa (1,3 bar)	
P6	-	Setting 200 kPa (2 bar)	

SPDT, C.C. 30V: > max resistive or inductive load 3A - 1A respectively
 C.A. 125 or 250V: > max resistive or inductive load 3A - 0,5A respectively
 Protection IP65 - Connector DIN 43650

FLOW RATES

(l/min)

$\Delta p = 30 \div 40$ kPa (0,3 ÷ 0,4 bar)

Type	Filter Media					
	FD	FV	CD	CV	RT	MS
RFA110 (port 3/4")	40	50	55	60	65	70
RFA210 (port 1")	45	55	60	65	70	75
RFA220 (port 1")	70	80	85	90	95	120
RFA230 (port 1")	100	115	120	130	135	140

The reference fluid has a kinematic viscosity of 30 cSt and a density of 0,86 Kg/dm³.
 For different oil viscosity please contact our Sales Department for further information.

FLOW RATES

(l/min)

for air breather element

Δp kPa (bar)	Type	
	C (3 μ)	D (10 μ)
5 (0,05)	100	160
10 (0,10)	180	250

DIRT HOLDING CAPACITY

(g) ISO MTD $\Delta p = 500$ kPa (5 bar)

Type	Filter Media	
	FD Δp 250 kPa (2,5 bar)	FV Δp 250 kPa (2,5 bar)
CRA110	11,5	18,4
CRA210	14,9	20,7
CRA220	21,8	34,5
CRA230	32,2	50,6

FILTER AREA

(cm²)

Type	Filter Media			
	RT	MS	CD	CV
CRA110	680	680	1225	1225
CRA210	660	660	1500	1500
CRA220	1004	1004	2295	2295
CRA230	1524	1524	3495	3495