

FAC

Port size: 1" 1/4
 Flow rate: up to 70 l/min

TECHNICAL DATA

Filter element collapse pressure:
 1 MPa (1 bar)

Working temperature: -25°C ÷ +110°C

MATERIALS

Lid: polyamide
 Housing: aluminium alloy
 Seals: NBR

COMPATIBILITY (ISO 2943:1999)

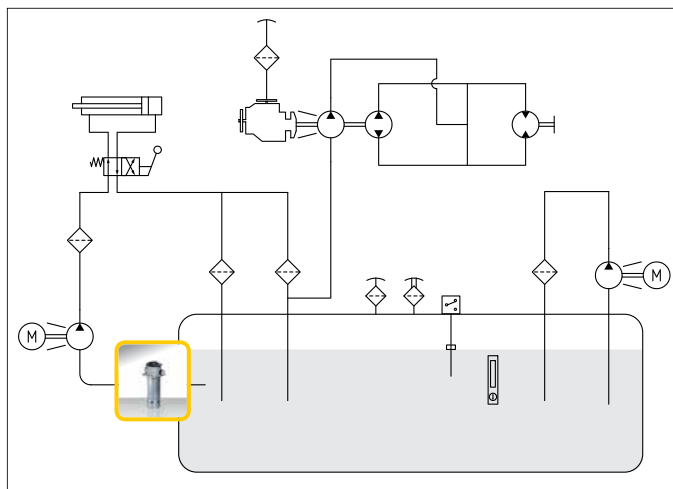
Full with fluids: HH-HL-HM-HV-HTG
 (according to ISO 6743/4).

For fluids different than the above mentioned,
 please contact our Sales Department.

All tests performed according
 to the following standards:

- ISO 2941: Element collapse resistance test
- ISO 2942: Production integrity test
- ISO 2943: Fluids compatibility
- ISO 3723: End load test method
- ISO 3724: Flow fatigue resistance method
- ISO 3968: Pressure drop versus flow rate
- ISO 16889: Multipass test.

For further information contact
 our Technical Dept.



CLOGGING INDICATOR

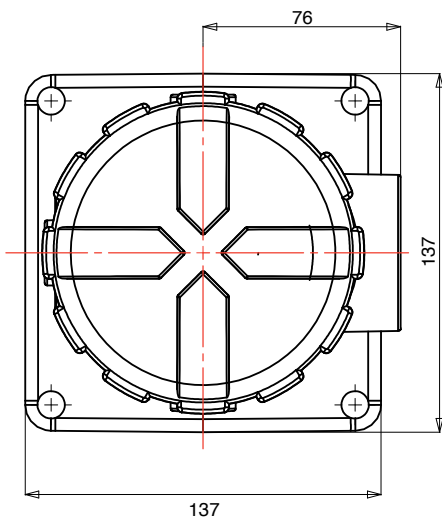
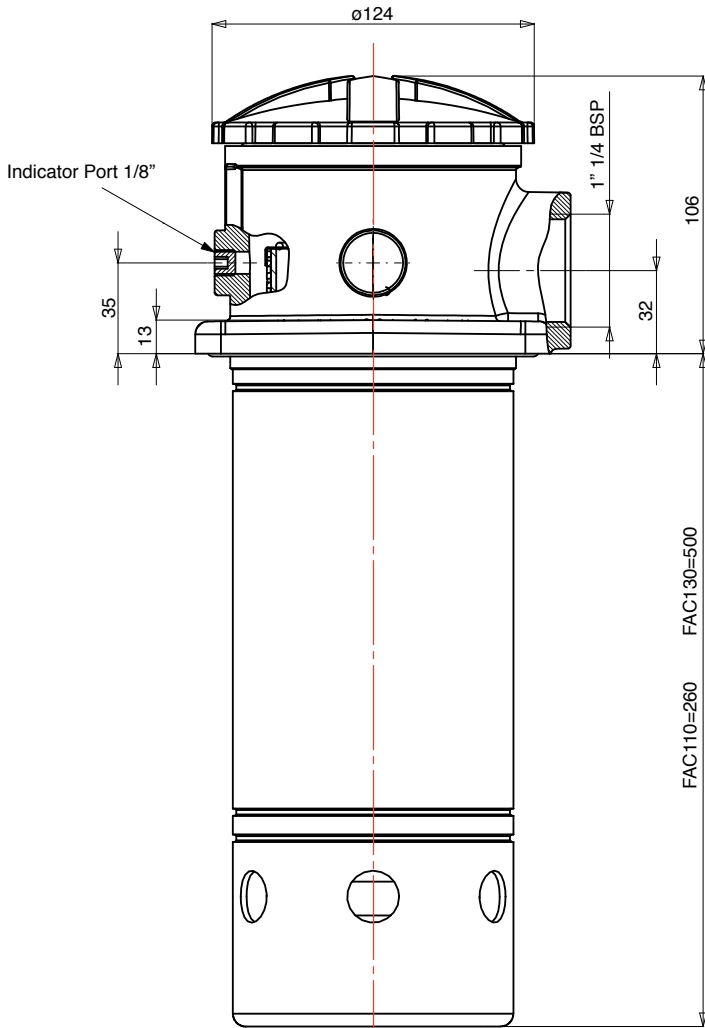
NBR	FKM	Vacuum gauge
10	-	Scale 0 ÷ 100 kPa (1 bar)

The reference fluid has a kinematic viscosity of 30 cSt and a density of 0,86 Kg/dm³.
 For different oil viscosity please contact our Sales Department for further information.

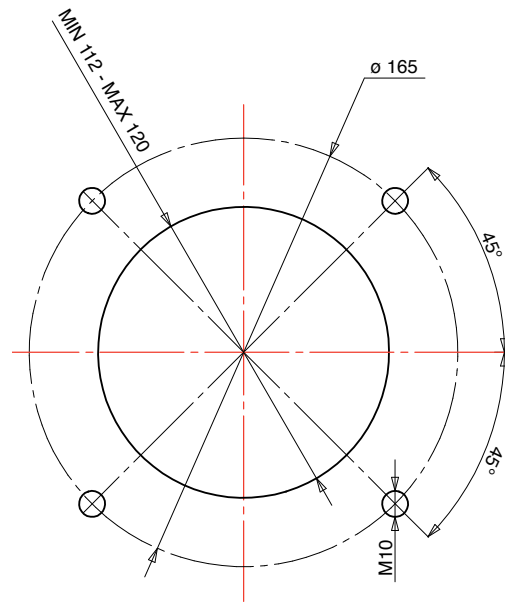
Complete Filter Code	Spare Filter Element Code	Nominal Flow Rate l/min
FAC110 CD 1 S B6 01 SX	CAC110 CD 0	45
FAC110 CD 1 S B6 10 SX	CAC110 CD 0	45
FAC130 CD 1 S B6 01 SX	CAC130 CD 0	70
FAC130 CD 1 S B6 10 SX	CAC130 CD 0	70

DIMENSIONAL LAYOUT

(mm)



TANK MOUNTING PATTERN



Filter Media	Filter Area (cm ²)	Seals Material	Bypass Setting	Indicator	Weight (Kg)	Notes
Paper 10 μm $\beta > 2$	5.000	NBR	No bypass	Plugged port	2,8	
Paper 10 μm $\beta > 2$	5.000	NBR	No bypass	Visual indicator (10)	2,8	
Paper 10 μm $\beta > 2$	9.300	NBR	No bypass	Plugged port	3,2	
Paper 10 μm $\beta > 2$	9.300	NBR	No bypass	Visual indicator (10)	3,2	

Technical data subject to variations without prior notice. FAC 07/2013