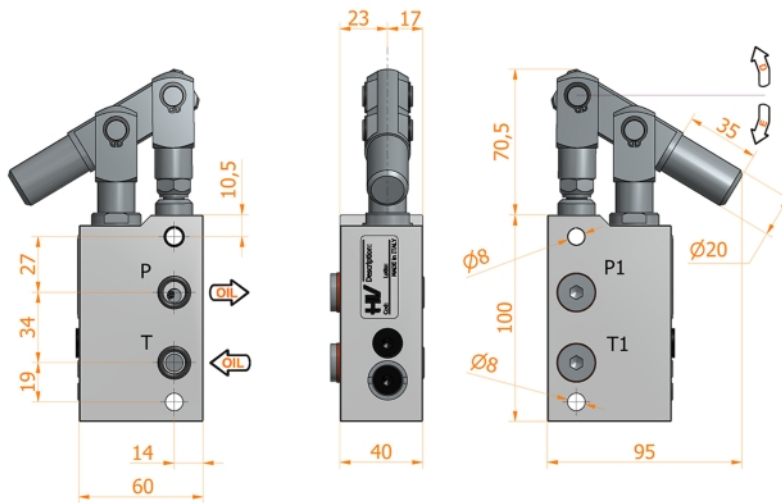
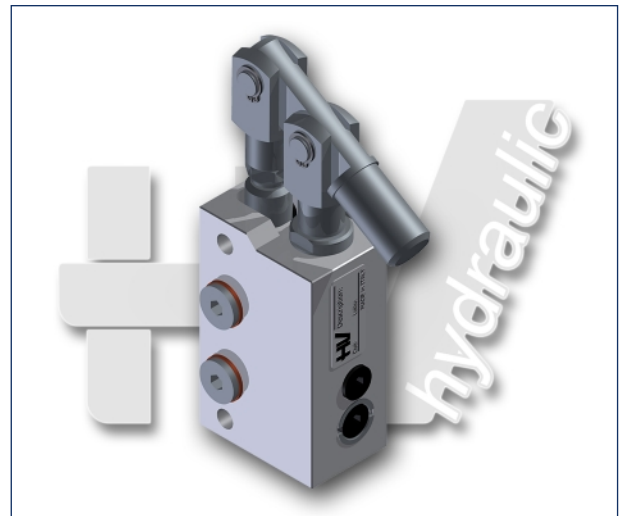
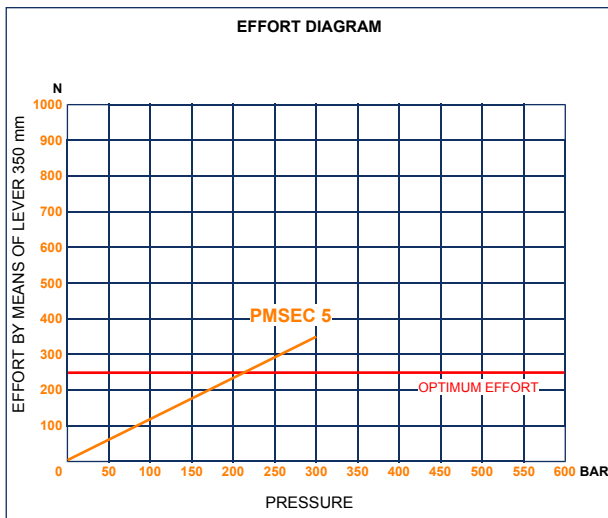
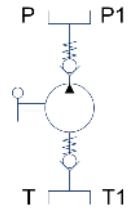




## PMSEC 5 eb

without release hand knob  
single-acting version to operate a single-acting cylinder  
for fixing to a wall



### Specifications:

- Aluminium body
- Niploy coated piston
- White zinc plated support lever
- Lever connection  $\varnothing 20$
- White zinc plated external parts

DISPLACEMENT cm <sup>3</sup>	A mm	B mm	C mm	D °	E °	ACTUAL DISPLACEMENT cm <sup>3</sup>	PRESSURE BAR		MASS KG	CODE WITHOUT BELLOWS	CODE WITH BELLOWS
							OPTIMAL	MAX			
5	--	--	--	31	31	5,380	215	300	1,120	6106.0001	--