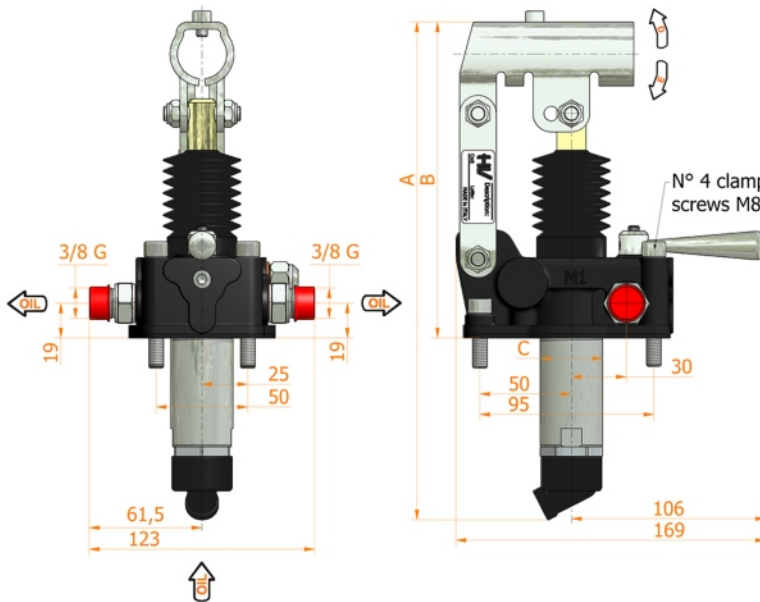
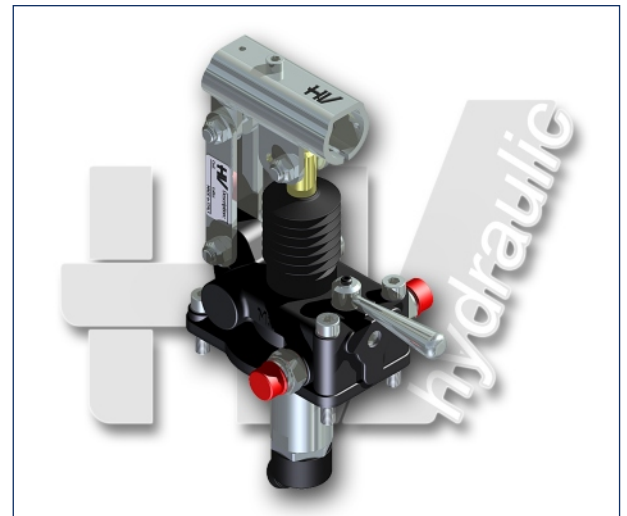
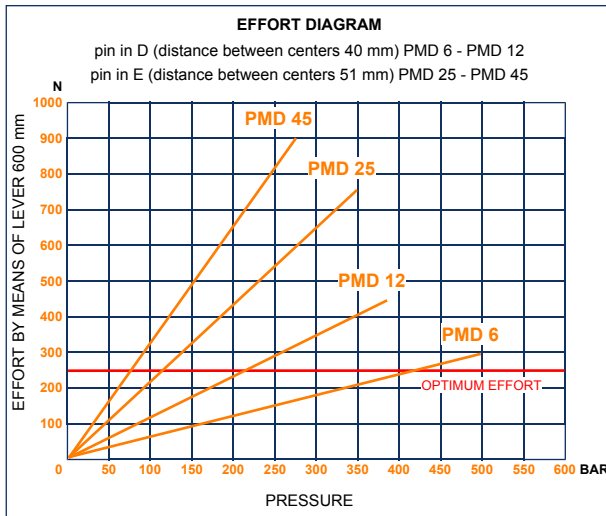
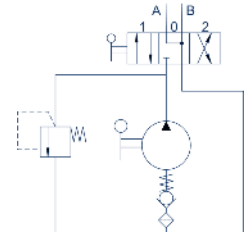




PMD 6-12-25-45 dna-byB-s

with 4/3 flow divider open centre
with pressure relief valve
double acting hand pump for a double acting cylinder
for fixing to tank



Specifications:

- Cast iron body
- Piston treated with Niploy
- White zinc plated support lever
- Lever connection Ø 27
- White zinc plated external parts
- Standard colour black
- Oil tank mounting kit included
- Pressure relief valve standard setting: 100 bar

DISPLACEMENT cm ³	A mm	B mm	C mm	D °	E °	ACTUAL DISPLACEMENT cm ³	PRESSURE BAR		MASS KG	CODE WITHOUT BELLOWS	CODE WITH BELLOWS
							OPTIMAL	MAX			
6	253	166	34	26	31	6,970	420	500	3,400	6054.0024	6054.0051
12	253	166	34	26	31	12,095	220	380	3,400	6055.0024	6055.0051
25	273	172	34	30	30	25,280	120	350	3,450	6056.0024	6056.0051
45	283	172	40	45	33	44,532	80	280	3,500	6057.0024	6057.0051