

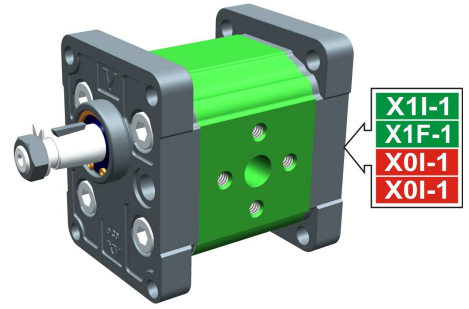
entrainment pump - series XV

STANDARD DRIVING PUMP
 ø30 FLANGE - TAPER SHAFT

X1T

X 1 T 25 12 G I I A

Series	X	series XV
Group	1	group 1
Category	T	entrainment pump
Displacement	25	3.8
Flange	12	Ø30 STANDARD right rotation
Shaft	G	COP02 - Tapered 1:8 - ø14 - M10x1 - key thk.3
Body	IN	inlet - Ø30 Ø12 M6
	OUT	outlet - Ø30 Ø12 M6
Cover	A	ø25,5 female cover for left multiple pump element



XT113

Technical data table

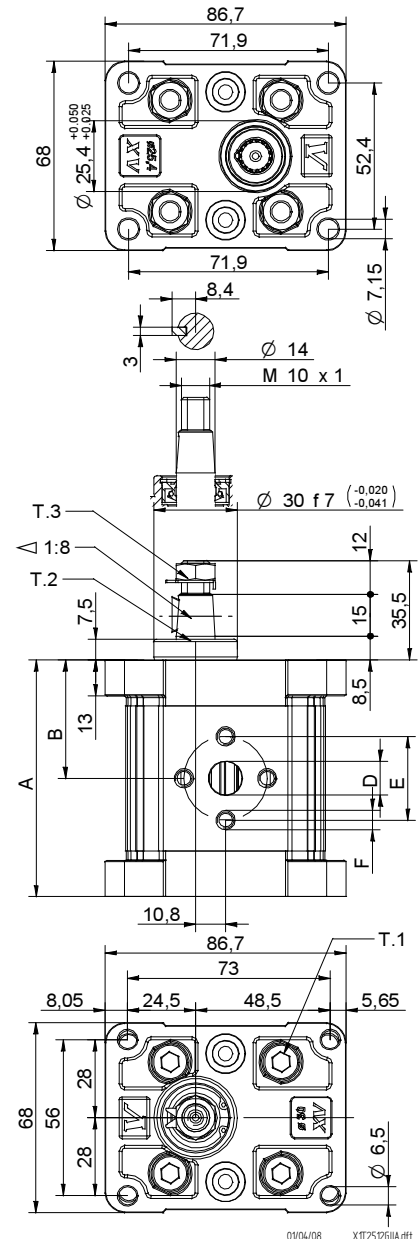
TYPE	Displacement cm3/rev	Max. Pressure		CODE	
		P1 bar	P3 bar	Left rotation	Right rotation
X1T/0.9	0,91	240	280	X 1 T 16 11 G I I A	X 1 T 16 12 G I I A
X1T/1.2	1,17	250	290	X 1 T 17 11 G I I A	X 1 T 17 12 G I I A
X1T/1.7	1,56	250	290	X 1 T 18 11 G I I A	X 1 T 18 12 G I I A
X1T/2.2	2,08	250	290	X 1 T 20 11 G I I A	X 1 T 20 12 G I I A
X1T/2.6	2,60	250	300	X 1 T 21 11 G I I A	X 1 T 21 12 G I I A
X1T/3.2	3,12	250	300	X 1 T 23 11 G I I A	X 1 T 23 12 G I I A
X1T/3.8	3,64	250	300	X 1 T 25 11 G I I A	X 1 T 25 12 G I I A
X1T/4.3	4,16	250	300	X 1 T 27 11 G I I A	X 1 T 27 12 G I I A
X1T/4.9	4,94	250	300	X 1 T 29 11 G I I A	X 1 T 29 12 G I I A
X1T/5.9	5,85	250	300	X 1 T 31 11 G I I A	X 1 T 31 12 G I I A
X1T/6.5	6,50	250	300	X 1 T 32 11 G I I A	X 1 T 32 12 G I I A
X1T/7.8	7,54	220	260	X 1 T 34 11 G I I A	X 1 T 34 12 G I I A
X1T/9.8	9,88	190	230	X 1 T 36 11 G I I A	X 1 T 36 12 G I I A

P1) Max. working pressure - P3) Max. peak pressure

For heavy-duty applications, it is recommended to check the admissible torque of the shaft

Dimensions table

TYPE	Weight kg	A mm	B mm	IN			OUT		
				D	E	F	D	E	F
X1T/0.9	0,950	74,5	37,3	ø12	30	M6x1	ø12	30	M6x1
X1T/1.2	0,970	75,5	37,8	ø12	30	M6x1	ø12	30	M6x1
X1T/1.7	1,010	77,0	38,5	ø12	30	M6x1	ø12	30	M6x1
X1T/2.2	1,030	79,0	39,5	ø12	30	M6x1	ø12	30	M6x1
X1T/2.6	1,060	81,0	40,5	ø12	30	M6x1	ø12	30	M6x1
X1T/3.2	1,090	83,0	41,5	ø12	30	M6x1	ø12	30	M6x1
X1T/3.8	1,120	85,0	42,5	ø12	30	M6x1	ø12	30	M6x1
X1T/4.3	1,170	87,0	43,5	ø12	30	M6x1	ø12	30	M6x1
X1T/4.9	1,200	90,0	45,0	ø12	30	M6x1	ø12	30	M6x1
X1T/5.9	1,260	93,5	46,8	ø12	30	M6x1	ø12	30	M6x1
X1T/6.5	1,300	96,0	48,0	ø12	30	M6x1	ø12	30	M6x1
X1T/7.8	1,360	100,0	50,0	ø12	30	M6x1	ø12	30	M6x1
X1T/9.8	1,500	109,0	54,5	ø12	30	M6x1	ø12	30	M6x1



01/04/08 XT125G6IIA.dft

T.1 = 24.5÷29.4 [Nm] - screw tightening torque M8

T.3 = 13 [Nm] - torque wrench setting 17

T.2 = 119.8 [Nm] - admissible shaft torque (N.B. When choosing a shaft, always check the admissible torque).

Table of variations

X1T

ø30 FLANGE

ø30 FLANGE				Shaft				Cover			
Left rotation		Right rotation		CIP01 - Parallel T.2 = 25.8 [Nm]		COP02 - Tapered T.2 = 119.8 [Nm]		Left rotation		Right rotation	
	11		12		A		G			A	
	13		14		P		O			D	
	15		16								
	17		18								

Displacement	
TYPE	CODE
X1T/0.9	16
X1T/1.2	17
X1T/1.7	18
X1T/2.2	20
X1T/2.6	21
X1T/3.2	23
X1T/3.8	25
X1T/4.3	27
X1T/4.9	29
X1T/5.9	31
X1T/6.5	32
X1T/7.8	34
X1T/9.8	36

Standard bodies							
Displacement cm3/rev	Standard threads						
	0.9	I - I	B - B	J - J	B - Z	Z - Z	G - F
1.2	I - I	B - B	J - J	B - Z	Z - Z	G - F	
1.7	I - I	B - B	J - J	B - Z	Z - Z	G - F	
2.2	I - I	B - B	J - J	B - Z	Z - Z	G - F	
2.6	I - I	B - B	J - J	B - Z	Z - Z	G - F	
3.2	I - I	B - B	J - J	B - Z	Z - Z	G - F	
3.8	I - I	B - B	J - J	B - Z	Z - Z	G - F	
4.3	I - I	B - B	J - J	B - Z	Z - Z	G - F	
4.9	I - I	B - B	J - J	B - Z	Z - Z	G - F	
5.9	I - I	B - B	J - J	B - Z	Z - Z	G - F	
6.5	I - I	B - B	J - J	B - Z	Z - Z	G - F	
7.8	I - I	B - B	J - J	B - Z	Z - Z	G - F	
9.8	I - I	B - B	J - J	B - Z	Z - Z	G - F	

Table showing standard flange and thread combinations available in stock

Body (threads/flanges)													
	A		B		C		D		E		F		G
	H		I		J	Closed Body	Z						