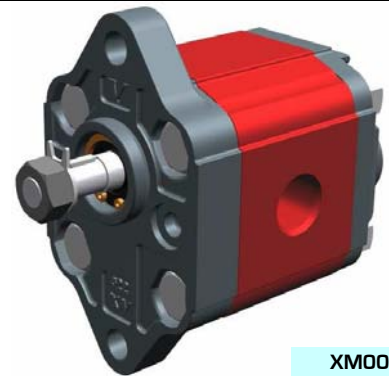


# reversible motor - series XV

**XV-OM**

**STANDARD MOTOR**  
**Ø22 FLANGE - PARALLEL SHAFT**



**XM001**

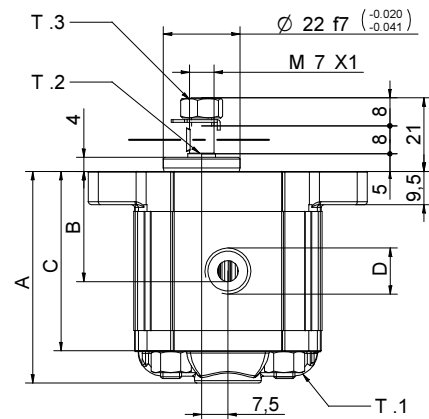
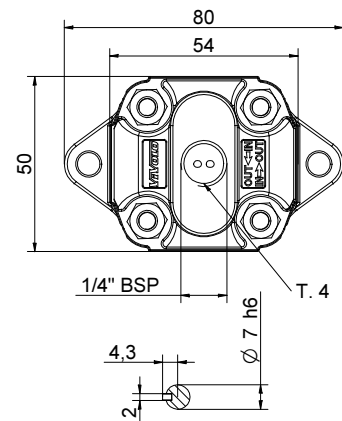
**X 0 M 06 01 A B B E**

Series	X	series XV
Group	0	group 0
Category	M	reversible motor
Displacement	06	0.76
Flange	01	Ø22 reversible rotation
Shaft	A	CI001 - Parallel ø7 - M7x1 - key thk. 2
Body	IN	inlet - 1/4" GAS
	OUT	outlet - 1/4" GAS
Cover	E	reversible w/external drainage

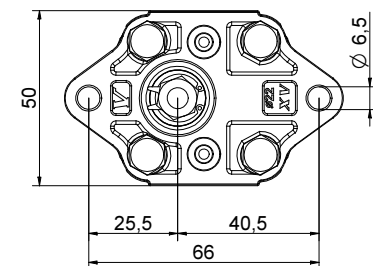
Technical data table						
TYPE	Displacement cm3/rev	Max. Pressure		CODE		
		P1 bar	P3 bar	External drainage		Internal drainage
XV-OM/0.45	0,45	220	280	X 0 M 04 01 A B B E	X 0 M 04 01 A B B F	
XV-OM/0.57	0,56	220	280	X 0 M 05 01 A B B E	X 0 M 05 01 A B B F	
XV-OM/0.76	0,75	220	280	X 0 M 06 01 A B B E	X 0 M 06 01 A B B F	
XV-OM/0.98	0,92	220	280	X 0 M 07 01 A B B E	X 0 M 07 01 A B B F	
XV-OM/1.27	1,26	220	280	X 0 M 09 01 A B B E	X 0 M 09 01 A B B F	
XV-OM/1.52	1,48	220	280	X 0 M 11 01 A B B E	X 0 M 11 01 A B B F	
XV-OM/2.30	2,28	190	210	X 0 M 13 01 A B B E	X 0 M 13 01 A B B F	

P1) Max. working pressure - P3) Max. peak pressure

For heavy-duty applications, it is recommended to check the admissible torque of the shaft



Dimensions table						
TYPE	Weight kg	A	B	C	D	D
		mm	mm	mm	IN	OUT
XV-OM/0.45	0,420	58,0	27,3	49,0	1/4" BSPP	1/4" BSPP
XV-OM/0.57	0,430	59,0	27,8	50,0	1/4" BSPP	1/4" BSPP
XV-OM/0.76	0,440	60,5	28,5	51,5	1/4" BSPP	1/4" BSPP
XV-OM/0.98	0,460	62,0	29,3	53,0	1/4" BSPP	1/4" BSPP
XV-OM/1.27	0,480	64,5	30,5	55,5	1/4" BSPP	1/4" BSPP
XV-OM/1.52	0,500	66,5	31,5	57,5	1/4" BSPP	1/4" BSPP
XV-OM/2.30	0,560	72,5	34,5	63,5	1/4" BSPP	1/4" BSPP



26/08/04 X0R0601ABBE.dft

T.1 = 11.7÷13.7 [Nm] - screw tightening torque M6

T.3 = 11.5 [Nm] - torque wrench setting 11

T.2 = 2.1 [Nm] - admissible shaft torque (N.B. When choosing a shaft, always check the admissible torque).

# Table of variations

**XV-OM**

## Standard ø22 FLANGE

Standard ø22 FLANGE		Shaft		Cover				
	01	CI001 - Parallel T.2 = 2.1 [Nm]	A	CF001 - Milled shank T.2 = 9.2 [Nm]	B		E	External drainage
	04	CF005 - Milled shank T.2 = 8.4 [Nm]	F	CO001 - Tapered T.2 = 21.9 [Nm]	E		F	Internal drainage
	05						K	IN + OUT + external
						L	IN + OUT + internal	
						P	Flange drainage	

Displacement	
TYPE	CODE
XV-OM/0.45	<b>04</b>
XV-OM/0.57	<b>05</b>
XV-OM/0.76	<b>06</b>
XV-OM/0.98	<b>07</b>
XV-OM/1.27	<b>09</b>
XV-OM/1.52	<b>11</b>
XV-OM/2.30	<b>13</b>

Standard bodies		
Displacement cm <sup>3</sup> /rev	Standard threads	
	0.17	B - B
0.25	B - B	Z - Z
0.45	B - B	Z - Z
0.57	B - B	Z - Z
0.76	B - B	Z - Z
0.98	B - B	Z - Z
1.27	B - B	Z - Z
1.52	B - B	Z - Z
2.30	B - B	Z - Z

Table showing standard flange and thread combinations available in stock

Body (threads/flanges)													
	A		B		C		D		E		F		G
	H		I	Closed Body		Z							