

FT2247/2



THREADED CARTRIDGE MOUNTED MICROFINE CONTROL VALVES

Appreciated for their little sizes, suitable for their placing in control blocks. For both oleo-dynamic-pneumatic applications with flow rate up to max 3 l/min. they can be used with fluids different from oil, such as: gas and liquid in general.

They have maintained the other characteristics of the series FT 2250; they ensure:

- efficient metallic sealing
- mechanical secure against accidental needle withdrawal

On request

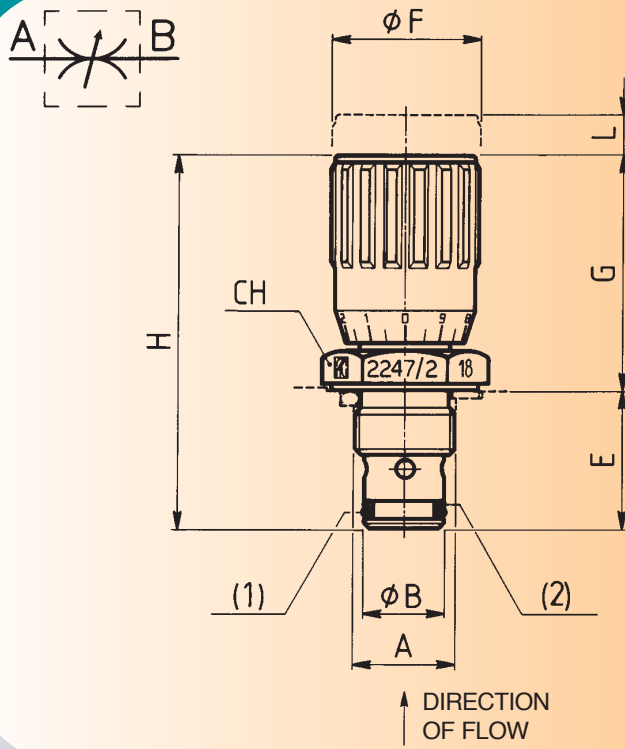
- Knob in ABS (mp)
- Panel mounting Ring nuts (G).

materials

Body	AISI 316 stainless steel
Needle	AISI 316 stainless steel
OR	Viton
Antiextrusion ring	PTFE
Handwheel	GD Al Si 12 - UNI 5706

example for ordering

Code	Typr	Viton seal	Plastic handwheel
FT 2247/2	18	G	mp



dimensions

Type	A UNI4534	ØB	E	ØF	G	H	L	CH	Weight kg	(1)OR	(2)BK
18	M15x1	12	20,5	22	35	55,5	5	22	0,069	108	BK 18 FT

dati tecnici

Tipo	Port section sq. cm	Max. working pressure bar	Working temp. °C	Filtration grade µm
18	3,14	210	-20° / +130 °C	25

flowrate curves

FT 2247/2-18

