

# FT2237/2



## DOUBLE-ACTING FINE CONTROL VALVES IN LINE

It is the solution for application requiring special adjustment of small flow rates. For both oleo dynamic-pneumatic applications with flow rate up to max. 3 l/min. They can be used also with fluids different from oil, such as: gas and liquids in general. This version has the same characteristics as the series FT 2250 and it maintains its main characteristics:

- metallic sealing;
- provision for panel mounting;
- security against accidental needle withdrawal.

### On request

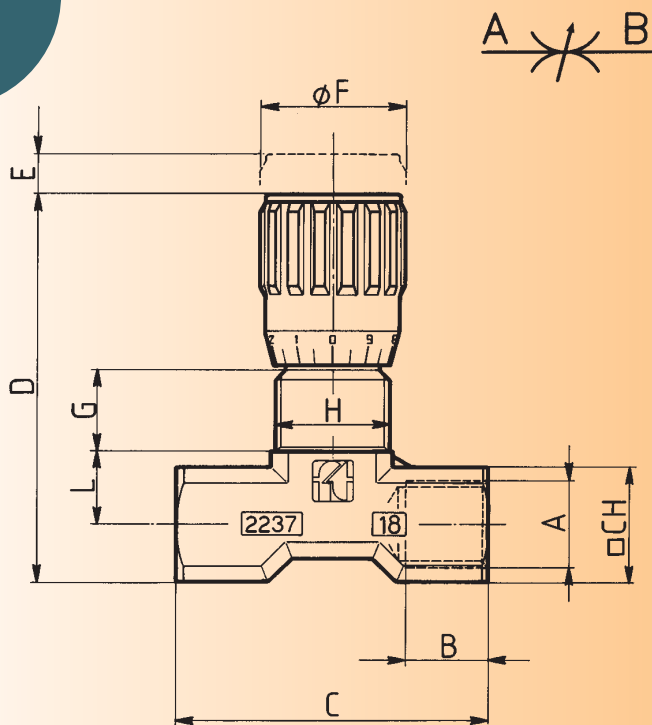
- NPT threads
- knob (mp)
- panel mounting ring nuts (G)

## materials

Body	AISI 316 stainless steel
Spring	X 10 Cr Ni S 1809 - UNI 6900
OR	Viton
Antiextrusion ring	PTFE
Handwheel	GD Al Si 12 - UNI 5706

## example for ordering

Code	Type	Panel ring
FT 2237/2	18	G



## dimensions

Type	A UNI 338	B	C	D	E	ØF	G	H	L	CH	Weight kg
18	1/8"G	8	40	55	4	22	12	M15x1	9,5	15	0,105

## technical data

Type	Port section sq. mm	Working pressure bar	Working temperature °C	Filtration grade µm
18	3,14	210	-20° / +130°C	25

# flowrate



FT 2237/2

