

# + BD

FLOW CONTROL  
B-DIRECTIONAL



## CARBON STEEL

- Type: reduce flow B-directional
- Body: square
- Material: 1,0737/1,4749
- Operating pressure: PN 350
- Temp range: -20°C to +100°C depending on material selected



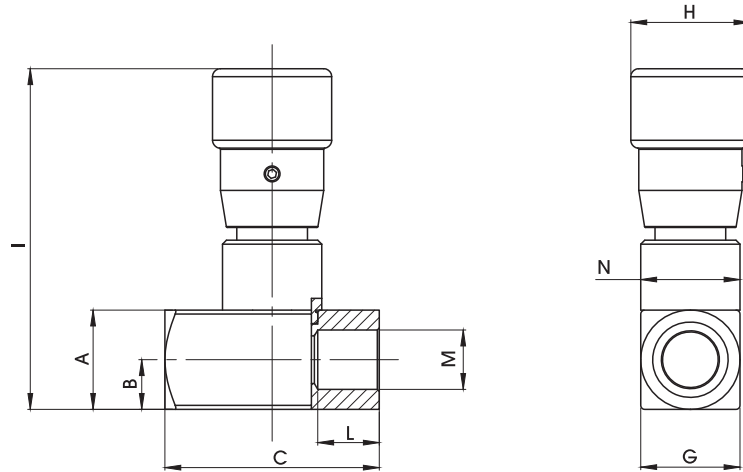
REDUCE  
FLOW  
BD

| BD                 | G 1/2                     |                             | CS              |
|--------------------|---------------------------|-----------------------------|-----------------|
| Type               | GAS<br>DIN/ISO<br>228 BSP | NPT<br>ANSI/ASME<br>B1.20.1 | Material        |
| BD flow<br>control | G 1/4                     | N 1/4                       | CS Carbon steel |
|                    | G 3/8                     | N 3/8                       |                 |
|                    | G 1/2                     | N 1/2                       |                 |
|                    | G 3/4                     | N 3/4                       |                 |
|                    | G 1                       | N 1                         |                 |



# + BD FLOW CONTROL B-DIRECTIONAL

Specialist in Ball Valves

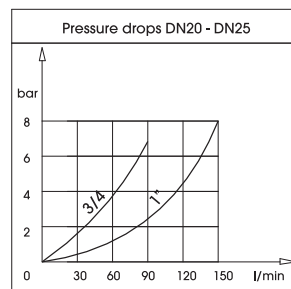
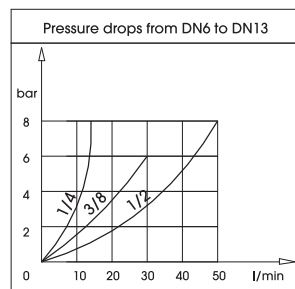
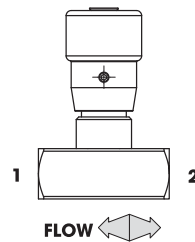
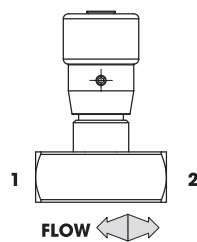


## BD DIN/ISO 228 BSP

Standard

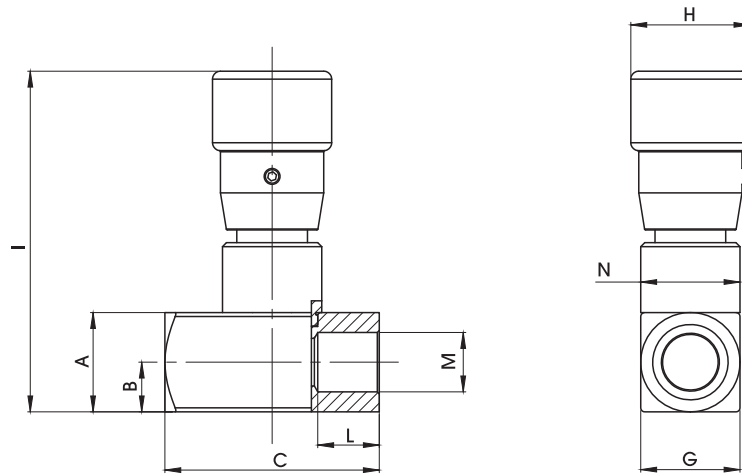
CARBON STEEL

| TYPE     | PN     | DN | MAX FLOW L/m | A  | B    | C   | G  | ØH | I   | L    | ØM    | ØN      | KG   | ITEM CODE       |
|----------|--------|----|--------------|----|------|-----|----|----|-----|------|-------|---------|------|-----------------|
| BD G 1/4 | 35 Mpa | 6  | 15           | 25 | 12,5 | 54  | 25 | 30 | 75  | 15,5 | G 1/4 | M20X1   | 0,33 | GG2GGT130110000 |
| BD G 3/8 | 35 Mpa | 10 | 30           | 25 | 12,5 | 54  | 25 | 30 | 75  | 15,5 | G 3/8 | M20X1   | 0,31 | GG2GGT230110000 |
| BD G 1/2 | 35 Mpa | 13 | 50           | 30 | 15   | 64  | 30 | 33 | 81  | 17   | G 1/2 | M25X1.5 | 0,48 | GG2GGT330110000 |
| BD G 3/4 | 35 MPa | 20 | 80           | 40 | 20   | 81  | 40 | 42 | 110 | 21   | G 3/4 | M35X1.5 | 1,13 | GG2GGT430110000 |
| BD G 1   | 35 Mpa | 25 | 150          | 45 | 22,5 | 102 | 45 | 42 | 115 | 24   | G 1   | M35X1.5 | 1,5  | GG2GGT530110000 |



# + BD FLOW CONTROL B-DIRECTIONAL

www.gemels.it



## BD ANSI/ASME B1.20.1 NPT

Standard

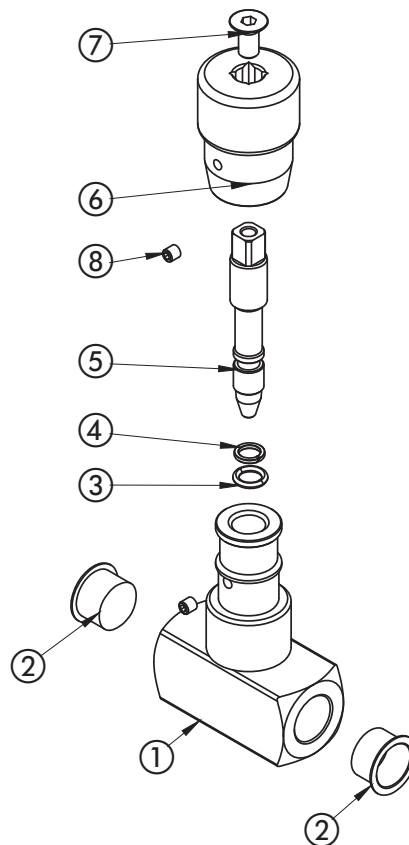
CARBON STEEL

| TYPE     | PN     | DN | MAX FLOW L/m | A  | B    | C   | G  | ØH | I   | L    | ØM    | ØN      | KG   | ITEM CODE       |
|----------|--------|----|--------------|----|------|-----|----|----|-----|------|-------|---------|------|-----------------|
| BD N 1/4 | 35 Mpa | 6  | 15           | 25 | 12,5 | 54  | 25 | 30 | 75  | 15,5 | N 1/4 | M20X1   | 0,33 | GG2NNT130110000 |
| BD N 3/8 | 35 Mpa | 10 | 30           | 25 | 12,5 | 54  | 25 | 30 | 75  | 15,5 | N 3/8 | M20X1   | 0,31 | GG2NNT230110000 |
| BD N 1/2 | 35 Mpa | 13 | 50           | 30 | 15   | 64  | 30 | 33 | 81  | 17   | N 1/2 | M25X1.5 | 0,48 | GG2NNT330110000 |
| BD N 3/4 | 35 MPa | 20 | 80           | 40 | 20   | 81  | 40 | 42 | 110 | 21   | N 3/4 | M35X1.5 | 1,13 | GG2NNT430110000 |
| BD N 1   | 35 Mpa | 25 | 150          | 45 | 22,5 | 102 | 45 | 42 | 115 | 24   | N 1   | M35X1.5 | 1,5  | GG2NNT530110000 |

# + BD FLOW CONTROL B-DIRECTIONAL

www.gemels.it

2014 - Edition 2



## Carbon steel

| Pos | Description | Material     | Q.tà |
|-----|-------------|--------------|------|
| 1   | Body        | 1,0737       | 1    |
| 2   | Caps        | PVC          | 2    |
| 3   | Stem        | 1,05         | 1    |
| 4   | Stem o-ring | NBR          | 1    |
| 5   | Stem ring   | PTFE         | 1    |
| 6   | Handle      | ALLUMINIUM   | 1    |
| 7   | Screw       | DIN 7991 8.8 | 1    |
| 8   | Screw       | DIN 7991 8.8 | 1    |

*For further special requests please consult  
our technical/commercial service*

**On request**

- Special Threads
- Pressure Class PN 350