

---

# 2.5PB

---

## Aluminium gear pumps

---

### Technical Catalogue

E0.138.0416.02.00IM03



**GEAR PUMPS**

SALAMI gear pumps are available with displacements from 1.4 cm<sup>3</sup>/rev to 99 cm<sup>3</sup>/rev (from 0.09 cu.in/rev to 6.03 cu.in/rev).

Multiple pumps can always be realized combining stages taken from different or same series.

Several options of shafts, flanges and ports as for European, German and American standards are available for all the pumps.

SALAMI gear pumps offer:

- High volumetric efficiency thanks to an innovative design and an accurate control of machining tolerances.
- Axial compensation achieved by the use of floating bushes that allow high volumetric efficiency throughout the working pressure range.
- DU bearings to ensure high pressure capability.
- 12 teeth integral gear and shaft.
- Aluminium body.
- Cast iron flange and cover.
- Double shaft seals.
- Nitrile seals as standard and Viton seals in high temperature applications.
- All pumps are hydraulically tested after assembly to ensure the highest standard performance.
- Gear pumps are ideal for mobile equipment including: snow plows, light duty equipment, farm vehicles, town trucks, cherry pickers, lift gates, utility vehicles, aerial devices, hoists, spreaders, fan drive.
- Also available Bidirectional rotation.

**TECHNICAL DATA**

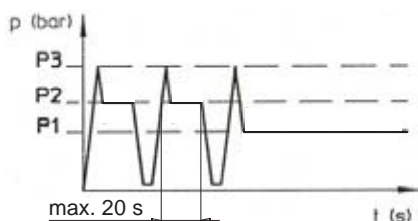
- Pump inlet pressure (absolute pressure)	0.8 to 1.5 bar (11.6 to 21.7 psi)
- Minimum operating fluid viscosity	12 mm <sup>2</sup> / sec
- Max starting viscosity	800 mm <sup>2</sup> / sec
- Suggested fluid viscosity range	17 - 65 mm <sup>2</sup> / sec
- Fluid operating temperature range	-20 to 80 °C
- Fluid operating temperature range with FPM seals (Viton)	-15 to 110°C
- Fluid operating temperature range with HNBR seals*	-30 to 110°C
- Hydraulic fluid	mineral oil

\*Available on request.

**Important:**

in case of assembling of pumps without shaft seals (eg. B4 - B5....), you have to keep the value of min. suction pressure ( 0.8 bar (abs)) in the vane between pump and coupling too.  
Lower pressure can lead to suction of oil through the front flange (seat of the shaft without seal); this can damage seriously the pump.

**DEFINITION OF PRESSURES**



- P3 = Peak pressure
- P2 = Intermittent operating pressure (1/3 of working time)
- P1 = Continuous operating pressure

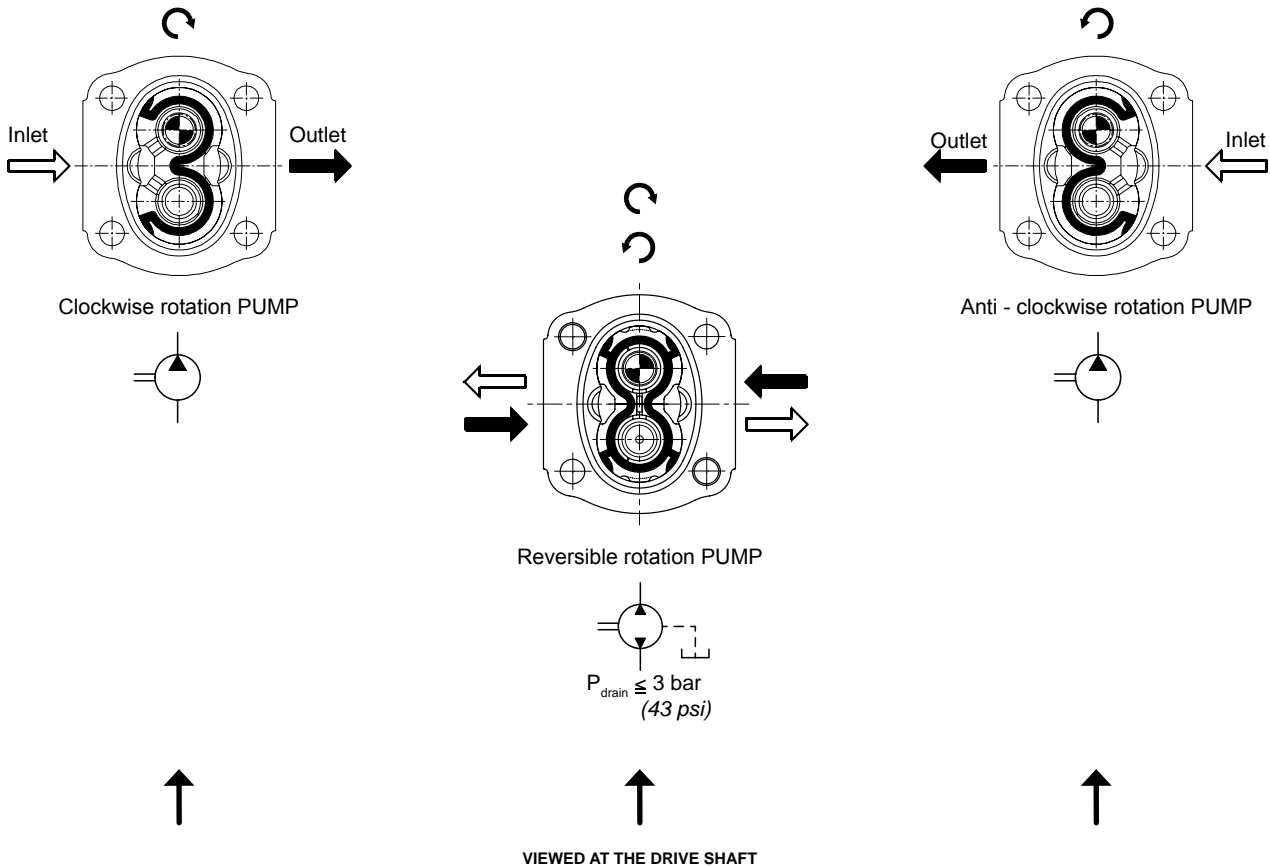
EO.100.0416.02.001M00



### DRIVE SHAFTS

Radial and axial loads on the shafts must be avoided since they reduce the life of the unit. In order to avoid misalignment during the assembly with the primary engine, a connection with “Oldham” coupling (or coupling having convex toothed hub) is recommended.

### ROTATION



### HYDRAULIC PIPE LINE

To ensure favorable suction conditions it is important to keep pressure drop in suction pipe line to a minimum value (see TECHNICAL DATA). To calculate hydraulic pipe line size, the designer can use; as an approximate guide, the following fluid speed figures:

From 1 to 2 m/sec on suction pipe line  
From 6 to 10 m/sec on pressure pipe line

From 3.28 to 6.36 ft/sec on suction pipe line  
From 19.7 to 32.8 ft/sec on pressure pipe line

The lowest fluid speed values in pipe lines is recommended when the operating temperature range is high and/or for continuous duty.

The highest value is recommended when the temperature difference is low and/or for intermittent duty.

When tandem pumps are supplied by 2 different reservoirs with 2 different fluids it is necessary to specify “AS” version.



**FILTRATION INDEX RECOMMENDED**

Working pressure	>200 bar/2900 psi	<200 bar/2900 psi
Contamination class NAS 1638	9	10
Contamination class ISO 4406	19/18/15	20/19/16
Achieved with filter $\beta_x=75$	15 $\mu\text{m}$	25 $\mu\text{m}$

**FIRE RESISTENT FLUID**

Type	Description	Max pressure	Max speed (rpm)	Temperature
HFB	Oil emulsion with 40% water	130 bar/1880 psi	2500	3°C+65°C
HFC	Water glycol	180 bar/2600 psi	1500	-20°C+65°C
HFD	Phosphate esters		1750	-10°C+80°C

**COMMON FORMULAS FOR PUMPS**

$$C = \text{Input torque} = \frac{q \cdot \Delta p}{62.8 \cdot \eta_m} \text{ (Nm)}$$

$$P = \text{Input power} = \frac{q \cdot n \cdot \Delta p \cdot 10^{-3}}{600 \eta_m} \text{ (kW)}$$

$$Q = \text{Outlet flow} = \frac{q \cdot n \cdot \eta_v}{1000} \text{ (l/min)}$$

LEGENDA

$\Delta p$  = Working pressure (bar)

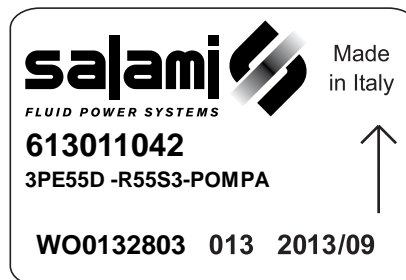
$q$  = Displacement ( $\text{cm}^3/\text{rev}$ )

$n$  = Speed ( $\text{min}^{-1}$ )

$\eta_m$  = Mechanical eff. (0.92)

$\eta_v$  = Volumetric eff. (0.95)

**IDENTIFICATION LABEL**



Salami part number ———  
Product short description ———

↑  
Rotation sense

Product code (for Salami management)

Month and year of made  
Number of assembling

EO.100.0416.02.001M00



### WORKING CONDITIONS

	Displacement		Working pressure P <sup>1**</sup>		Intermittent pressure P <sup>2</sup>		Peak pressure P <sup>3</sup>		Max. speed	Min. speed
	cm <sup>3</sup> /rev	cu.in/rev	bar	psi	bar	psi	bar	psi		
<b>GROUP 1.5 - E SERIES</b>									min <sup>-1</sup>	
1.5PE - 1.4	1.4	0.09	250	3625	270	3915	290	4205	5000	700
1.5PE - 2.1	2.1	0.13	250	3625	270	3915	290	4205	5000	700
1.5PE - 2.8	2.8	0.17	250	3625	270	3915	290	4205	4500	700
1.5PE - 3.5	3.5	0.21	250	3625	270	3915	290	4205	4500	700
1.5PE - 4.1	4.1	0.25	250	3625	270	3915	290	4205	4000	700
1.5PE - 5.2	5.2	0.32	230	3335	250	3625	270	3915	4000	700
1.5PE - 6.2	6.2	0.38	230	3335	250	3625	270	3915	3600	600
1.5PE - 7.6	7.6	0.46	200	2900	220	3190	250	3625	3300	600
1.5PE - 9.3	9.3	0.57	180	2610	200	2900	240	3480	3000	600
1.5PE - 11	11	0.67	170	2465	190	2755	220	3190	3000	600

	Displacement		Working pressure P <sup>1**</sup>		Intermittent pressure P <sup>2</sup>		Peak pressure P <sup>3</sup>		Max. speed	Min. speed
	cm <sup>3</sup> /rev	cu.in/rev	bar	psi	bar	psi	bar	psi		
<b>GROUP 2 - E SERIES</b>									min <sup>-1</sup>	
2PE - 3.2*	3.2	0.19	250	3625	280	4060	300	4350	4000	600
2PE - 3.9*	3.9	0.24	250	3625	280	4060	300	4350	4000	600
2PE - 4.5	4.6	0.27	250	3625	280	4060	300	4350	4000	600
2PE - 6.5	6.5	0.4	250	3625	280	4060	300	4350	4000	600
2PE - 8.3	8.2	0.5	250	3625	280	4060	300	4350	3500	500
2PE - 10.5	10.6	0.65	250	3625	280	4060	300	4350	3500	500
2PE - 11.3	11.5	0.68	250	3625	280	4060	300	4350	3500	500
2PE - 12.5	12.7	0.77	250	3625	280	4060	300	4350	3500	500
2PE - 13.8	13.8	0.84	250	3625	280	4060	300	4350	3500	500
2PE - 16	16.6	1.01	250	3625	280	4060	300	4350	3000	400
2PE - 19	19.4	1.15	220	3140	240	3480	260	3750	3000	400
2PE - 22.5	22.9	1.37	200	2900	220	3140	240	3480	2750	400
2PE - 26	25.8	1.58	180	2610	200	2900	220	3190	2500	400

\*Available only as rear pump

	Displacement		Working pressure P <sup>1**</sup>		Intermittent pressure P <sup>2</sup>		Peak pressure P <sup>3</sup>		Max. speed	Min. speed
	cm <sup>3</sup> /rev	cu.in/rev	bar	psi	bar	psi	bar	psi		
<b>GROUP 2.5 - B SERIES</b>									min <sup>-1</sup>	
2.5PB - 5.5*	5.97	0.36	250	3625	280	4060	300	4350	3000	600
2.5PB - 8.3*	8.29	0.50	250	3625	280	4060	300	4350	3000	600
2.5PB - 11.5*	11.76	0.72	250	3625	280	4060	300	4350	3000	600
2.5PB - 13.8*	14.07	0.86	250	3625	280	4060	300	4350	3000	600
2.5PB - 16	16	0.97	250	3625	280	4060	300	4350	3000	600
2.5PB - 19	19.3	1.17	250	3625	280	4060	300	4350	3000	600
2.5PB - 22	22.2	1.35	250	3625	280	4060	300	4350	3000	500
2.5PB - 25	25.2	1.53	250	3625	280	4060	300	4350	3000	500
2.5PB - 28	27.6	1.68	250	3625	280	4060	300	4350	3000	500
2.5PB - 32	32.4	1.97	230	3330	250	3625	260	3750	3000	500
2.5PB - 38	38.1	2.32	200	2900	220	3140	240	3480	2750	400
2.5PB - 44	44.2	2.69	170	2465	190	2755	210	3040	2500	400

\*Available only as rear pump. Displacements 11.5-13.8 are available as single pump only with drive shaft “55”.



	Displacement		Working pressure P <sup>1**</sup>		Intermittent pressure P <sup>2</sup>		Peak pressure P <sup>3</sup>		Max. speed	Min. speed
	cm <sup>3</sup> /rev	cu.in/rev	bar	psi	bar	psi	bar	psi		
<b>GROUP 3 - E SERIES</b>									min <sup>-1</sup>	
3PE - 21*	20.6	1.26	250	3625	280	4060	300	4350	3000	600
3PE - 27	27	1.65	250	3625	280	4060	300	4350	3000	600
3PE - 33	33.5	2.04	250	3625	280	4060	300	4350	3000	600
3PE - 38	38.7	2.36	250	3625	280	4060	300	4350	2750	500
3PE - 46	46.9	2.86	250	3625	270	3915	280	4060	2750	500
3PE - 55	54.1	3.3	220	3140	240	3480	250	3625	2500	400
3PE - 65	63.1	3.85	200	2900	220	3140	240	3480	2500	400
3PE - 75*	73.4	4.48	180	2610	200	2900	220	3140	2500	400

\*Displacements 21 and 75 are special release, please contact sales department.

	Displacement		Working pressure P <sup>1**</sup>		Intermittent pressure P <sup>2</sup>		Peak pressure P <sup>3</sup>		Max. speed	Min. speed
	cm <sup>3</sup> /rev	cu.in/rev	bar	psi	bar	psi	bar	psi		
<b>GROUP 3.5 - C SERIES</b>									min <sup>-1</sup>	
3.5PC - 55	54.8	3.34	250	3625	280	4060	300	4350	2750	400
3.5PC - 64	63.2	3.85	250	3625	280	4060	300	4350	2750	350
3.5PC - 75	74.7	4.55	230	3330	250	3625	280	4060	2500	300
3.5PC - 87	88	5.36	210	3040	230	3330	260	3750	2250	300
3.5PC - 98*	99	6.03	200	2900	220	3140	250	3625	2000	300

\*Displacement 98 are special release, please contact sales department.

\*\*For working conditions, using exclusively pressure P<sup>1</sup>, the value of max. speed must be reduced of 10%.

For bidirectional pump the max pressure has to be reduced of 10%.

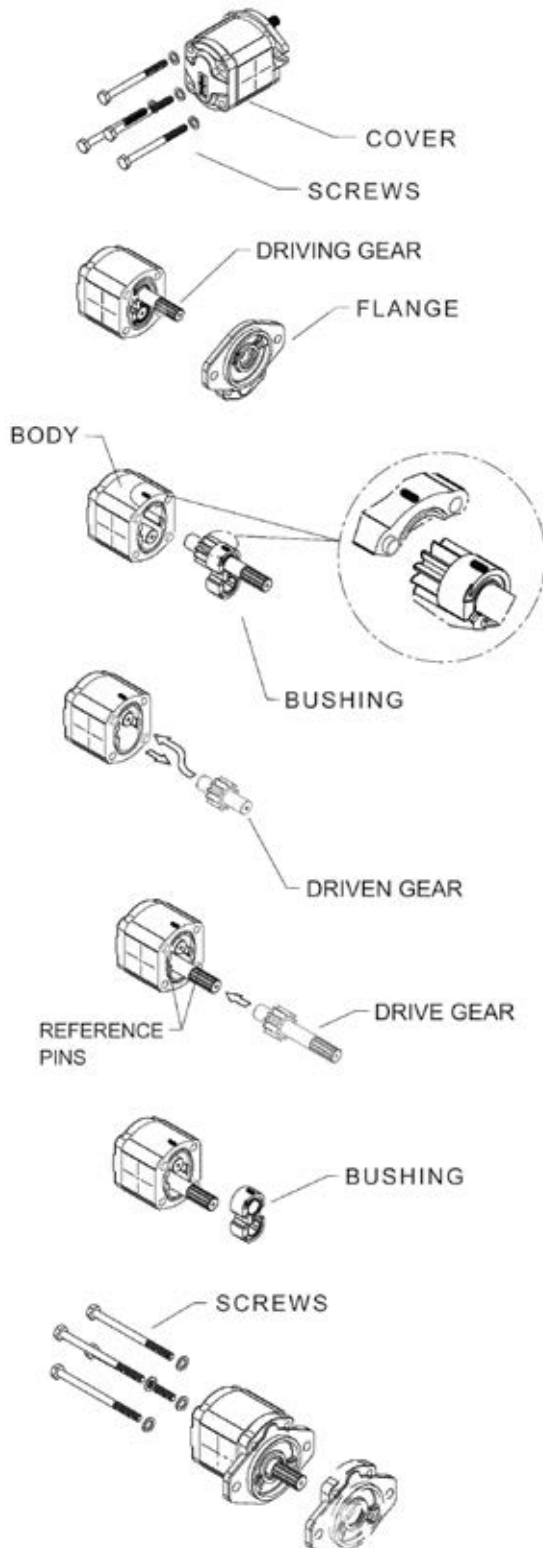
The max pressure is referred to pumps with flanged ports, using the threaded ports the pump life could be reduced.



### ROTATION CHANGING INSTRUCTIONS FOR UNITS

Before starting, be sure that the pump is cleaned externally as well as the working area to avoid that particles dangerous for pump working can find their way into the pump. Pump represented is a clockwise rotation pump.

To obtain an anti\_clockwise rotation read carefully the following instructions.



- 1 - Loosen and fully unscrew the screws.
- 2 - Lay the pump on the working area in order to have the mounting flange turned upside.
- 3 - Coat the shaft extension with grease to avoid damaging the shaft seal.
- 4 - Remove the flange and lay it on the working area; verify that the seal is correctly located in the body seat.

- 1 - Mark the position of the bushing and eventually the thrust plate, relative to the body.
- 2 - Remove the bushing, thrust plate and the driving gear taking care to avoid driven gear axial shifts.

- 1 - Draw out the driven gear from its housing, taking care to avoid rear cover axial shifts.
- 2 - Re-locate the driven gear in the position previously occupied by the driving gear.

- 1 - Re-locate the driving gear in the position previously occupied by the driven gear.

- 1 - Replace the bushing and thrust plate taking care that:
  - marks are located as on the picture
  - surface containing the seal is visible
  - seal and its protection are correctly located

- 1 - Clean body and mounting flange refaced surfaces.
- 2 - Verify that the two plugs are located in the body.
- 3 - Refit the mounting flange, turned 180° from its original position.
- 4 - Replace the clamp bolts and tighten crosswise evenly to a torque you will find at page 8.
- Check that the shaft rotates freely.
- 6 - Mark on the flange the new direction of rotation.

---

**INDEX**

---

Shafts And Flanges Combination .....	61
Assembling Dimensions .....	62
Flanged And Threaded Ports.....	63
Drive Shafts .....	64
Mounting Flanges .....	64
Outrigger Bearing .....	66
Mounting Flanges With Outrigger Bearing Support.....	67
Rear Covers .....	68
Rear Covers With Relief Valve .....	69
Pressure Compensated Control And Priority Flow Valve .....	70
Load Sensing Priority Valves.....	71
Multiple Gear Pumps Assembling Dimensions.....	72
2.5PB Combination With Pump 2PE .....	73
Performance Curves.....	74
How To Order Single Pumps .....	78
How To Order Multiple Pumps.....	79

**Final revised edition-April 2016**

The data in this catalogue refers to the standard product.

The policy of Salami S.p.A. consists of a continuous improvement of its products. It reserves the right to change the specifications of the different products whenever necessary and without giving prior information.

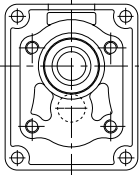
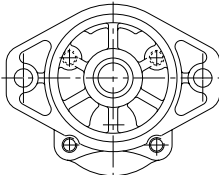
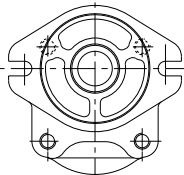
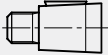
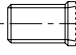
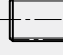
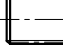

***If any doubts, please get in touch with our sales department.***







**SHAFTS AND FLANGES COMBINATION**

<b>2.5PB</b>			
	CODE <b>P2</b> European standard	CODE <b>S2</b> SAE A 2 Bolts	CODE <b>S3</b> SAE B 2 Bolts
 CODE <b>38</b> - Tapered 1:8	38P2		
 CODE <b>53</b> - SAE A splined 10T		53S2	
 CODE <b>54</b> - SAE A splined 11T		54S2	
 CODE <b>55</b> - SAE B splined 13T		55S2	55S3
 CODE <b>87</b> - SAE B parallel		87S2	87S3

Note: other versions available, see shafts and flanges information.

EO.138.0416.02.001M03

Displacements up to 2.69 cu.in./rev  
Pressure up to 4350 psi



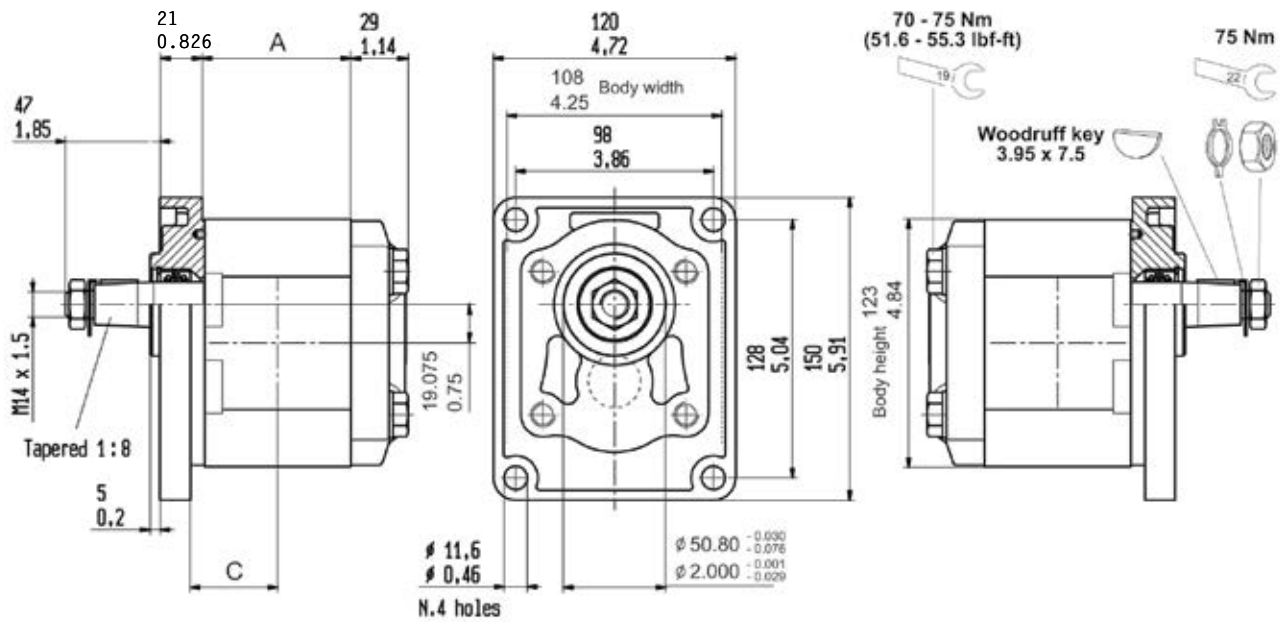
GEAR PUMPS

Displacements up to 44.2 cm<sup>3</sup>/rev  
Pressure up to 300 bar

### ASSEMBLING DIMENSIONS

Type		5.5*	8.3*	11.5*	13.8*	16	19	22	25	28	32	38	44
Displacement	cm <sup>3</sup> /rev	5.97	8.29	11.76	14.07	16	19.3	22.2	25.2	27.6	32.4	38.1	44.2
	cu.in./rev	0.36	0.50	0.72	0.86	0.97	1.17	1.35	1.53	1.68	1.97	2.32	2.69
Dimension A	mm	52.2	54.6	58.2	60.6	63	66.5	70	72.5	85	90.5	96.5	103
	in	2.05	2.15	2.29	2.38	2.45	2.59	2.73	2.82	3.31	3.52	3.76	4.06
Dimension C	mm	26.1	27.3	29.1	30.3	31.5	33.25	35	36.25	42.5	45.25	48.25	51.5
	in	1.02	1.07	1.14	1.19	1.20	1.29	1.36	1.41	1.65	1.76	1.88	2.03
Weight	kg	3.4	3.6	3.8	4.1	3.4	3.6	3.8	4.1	4.5	4.75	5	5.30
	lbs	7.48	7.92	8.36	9.02	7.48	7.92	8.36	9.02	9.92	10.47	11.00	11.66

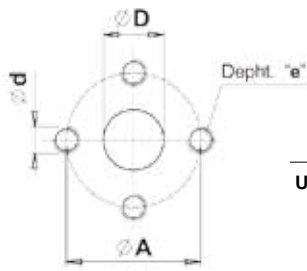
\*Available only as rear pump, displacements 11.5-13.8 are available as single pump only with drive shaft "55".



E0.138.0416.02.00IM03



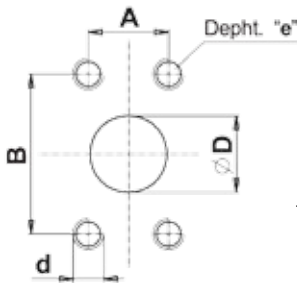
**FLANGED AND THREADED PORTS**



**code P**

Flanged ports  
european standard

UNI-DIRECTIONAL PUMPS	TYPE	INLET				OUTLET			
		Ø D	Ø A	d	e	Ø D	Ø A	d	e
	From 5.5 to 8.3	13 (0.51")	30 (1.18")	M6	13 (0.51")	13 (0.51")	30 (1.18")	M6	13 (0.51")
	From 11.5 to 19	20 (0.79")	40 (1.57")	M8					
	From 22 to 44	25 (0.97")	51 (2.01")	M10	16 (0.62")	18 (0.70")	40 (1.56")	M8	18 (0.70")



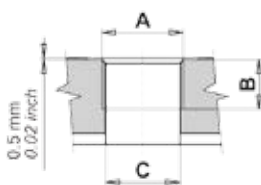
**code S**

Flanged ports  
SAE J518  
AMERICAN STANDARD  
THREAD

UNI-DIRECTIONAL PUMPS Special version available on request.

UNI-DIRECTIONAL PUMPS	TYPE	INLET					OUTLET				
		Ø D	B	A	d	e	Ø D	B	A	d	e
	From 16 to 44	25 (0.97")	52.4 (2.06")	26.2 (1.02")	3/8 16 unc	16 (0.62")	18 (0.70")	47.6 (1.87")	22.2 (0.86")	3/8 16 unc	16 (0.62")

UNI-DIRECTIONAL PUMPS Special version available on request.

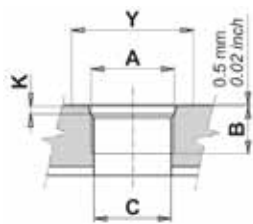


**code G**

Threaded ports  
GAS (BSPP)

UNI-DIRECTIONAL PUMPS	TYPE	INLET			OUTLET		
		A	B	ØC	A	B	ØC
	From 5.5 to 22	G3/4	16 (0.62")	20 (0.78")	G1/2	15 (0.59")	
	From 25 to 44	G1	19 (0.74")	23 (0.91")	G3/4	16 (0.62")	20 (0.78")

UNI-DIRECTIONAL PUMPS Special version available on request.



**code R**

Threaded ports  
SAE (ODT)

UNI-DIRECTIONAL PUMPS	TYPE	INLET					OUTLET				
		A	B	ØC	Y	K	A	B	ØC	Y	K
	From 5.5 to 22	1-1/16-12 UN (SAE 12)	19 (0.74")	20 (0.78")	41 (1.61")	3.3 (0.12")	7/8-14 UNF (SAE 10)	14 (0.54")	15 (0.59")	34 (1.32")	2.5 (0.10")
	From 25 to 44	1-5/16-12 UN (SAE 16)		23 (0.91")	49 (1.93")		1-1/16-12 UN (SAE 12)	19 (0.74")	20 (0.78")	41 (1.61")	3.3 (0.12")

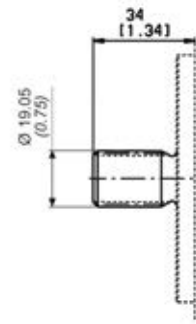
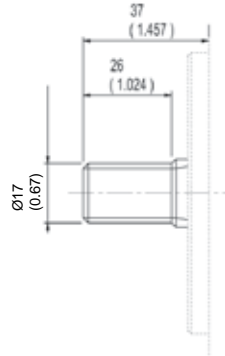
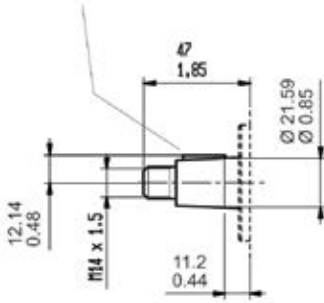
UNI-DIRECTIONAL PUMPS Special version available on request.

EO.138.0416.02.001M03



### DRIVE SHAFTS

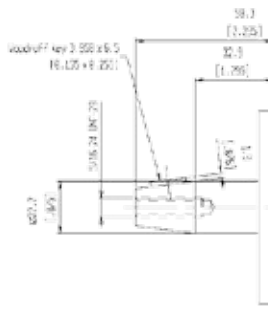
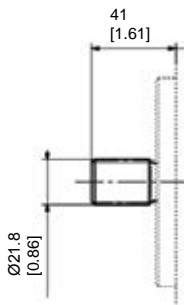
Woodruff Key (3.95x7.5)



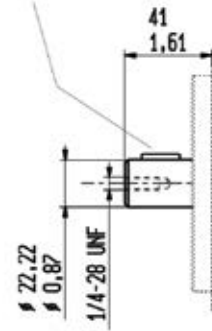
**code 38** Max torque 250 Nm (2213 lbf in)  
Tapered 1:8

**code 53** Max torque 125 Nm (1106 lbf in)  
SAE A Splined 10T-16/32DP Ansi B92  
1a 1976

**code 54** Max torque 150 Nm (1327 lbf in)  
SAE A Splined 11T-16/32DP Ansi B92  
1a 1976



Woodruff Key (6.35x6.35x17.7)

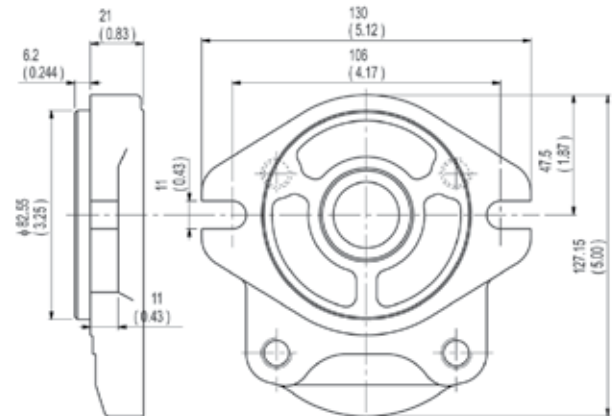
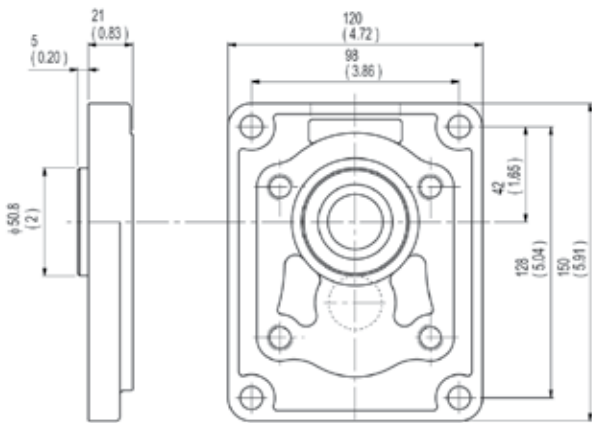


**code 55** Max torque 320 Nm (2832 lbf in)  
SAE B Splined 13T-16/32DP Ansi B92  
1a 1976

**code 37** Max torque 200 Nm (1770 lbf in)  
Tapered 1:4

**code 87** Max torque 220 Nm (1950 lbf in)  
SAE B Parallel

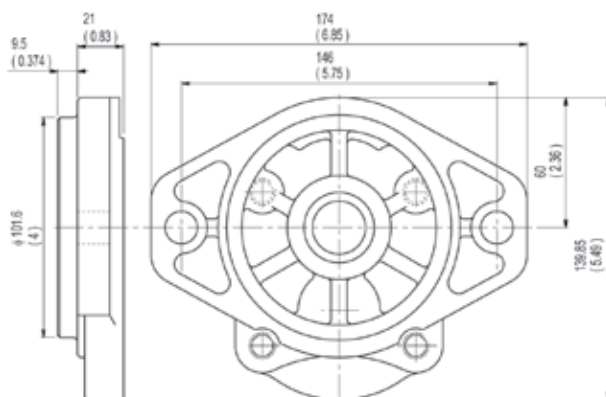
### MOUNTING FLANGES



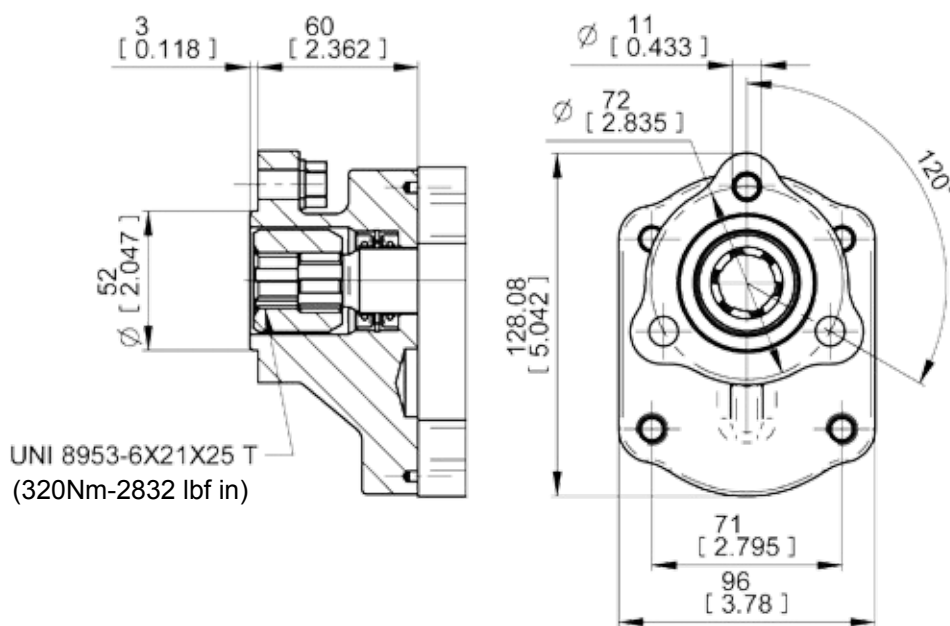
**P2** European standard  
With shaft code 38

**S2** SAE A 2 bolts  
With shaft code 53-54-55-87





<b>S3</b>	<b>SAE B 2 bolts</b>
With shaft code 55-87	



<b>T1</b>	<b>3 BOLT UNI 8953</b>
With shaft code 73	

EO.138.0416.02.001M03

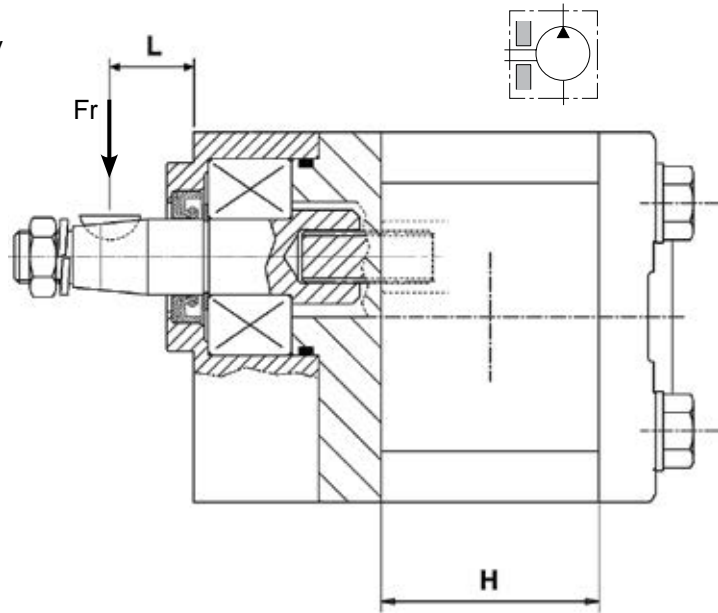
### OUTRIGGER BEARING

The following diagrams show radial load capability of the bearing.

Calculation according to ISO 281 at 10 cSt.

TYPE	H
16	63 (2.45")
19	66.5 (2.59")
22	70 (2.73")
25	72.5 (2.82")
28	85 (3.31")
32	90.5 (3.52")
38	96.5 (3.76")
44	103 (4.06")

L=Distance between mounting flange and radial force point of application.



Example:

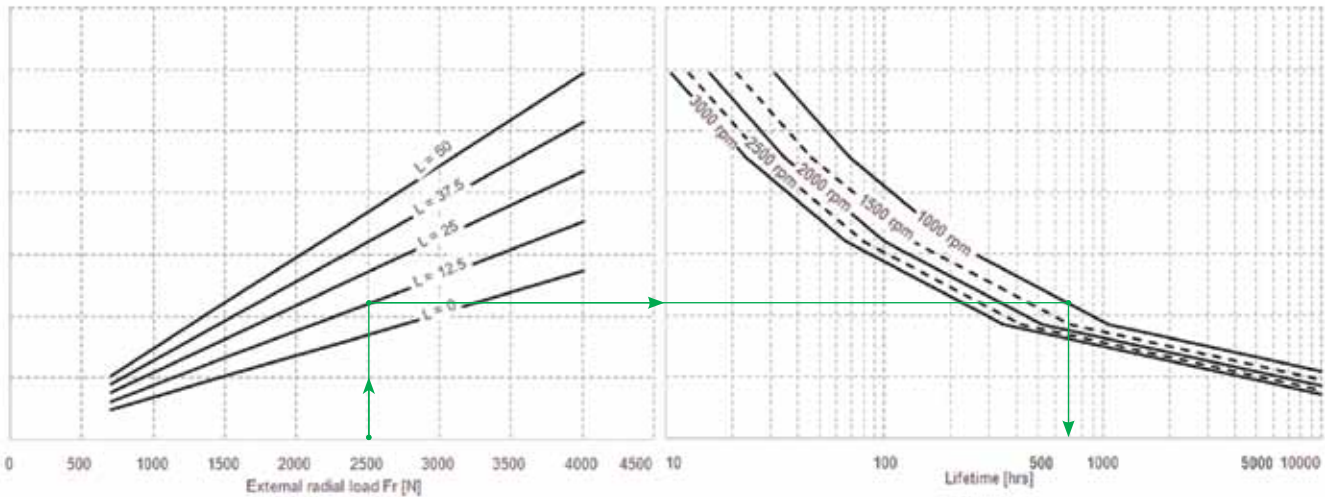
Fr = 2500 N

L = 12.5

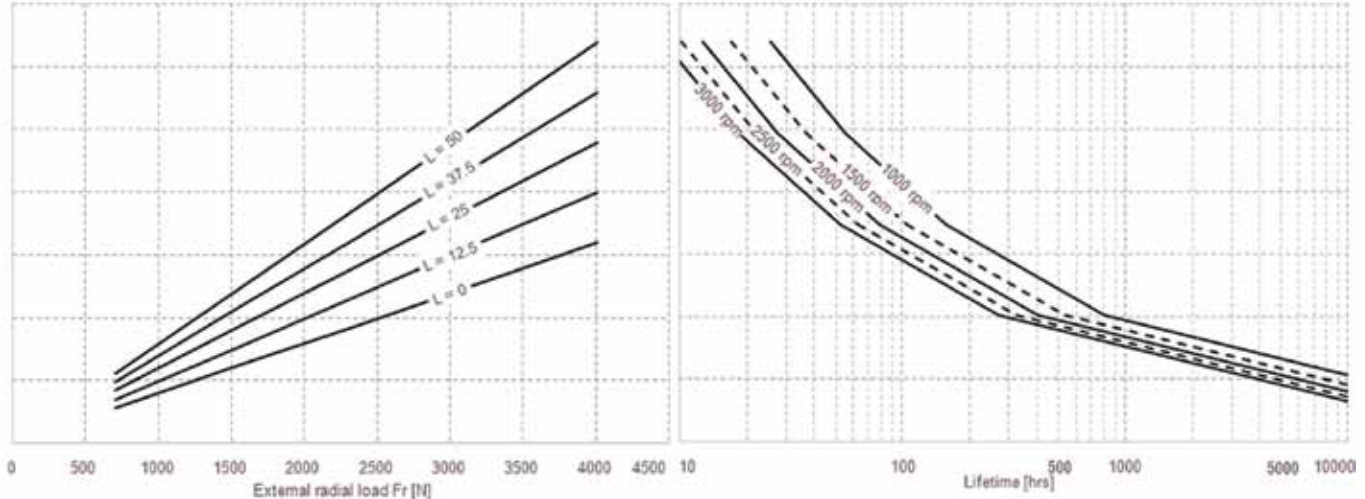
Speed = 1000 rpm

Expected life: 700 hrs

For Code CP



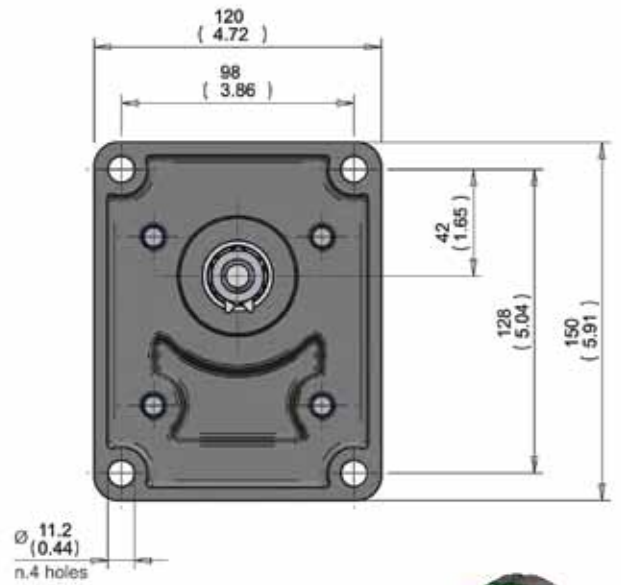
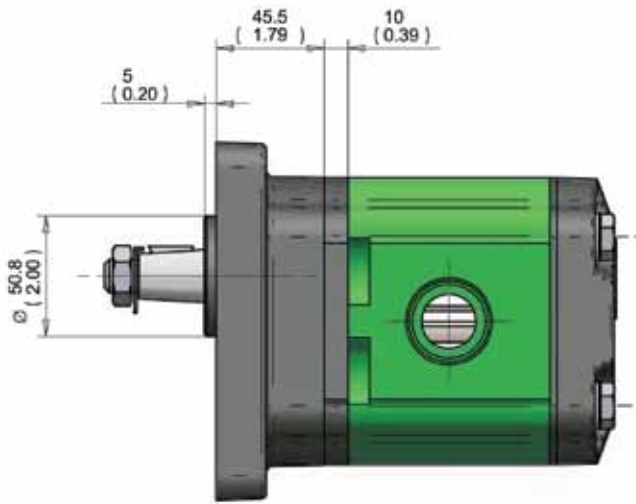
For Code Z1



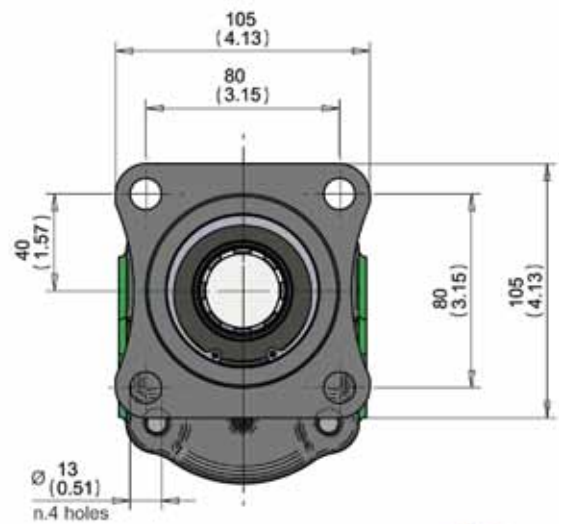
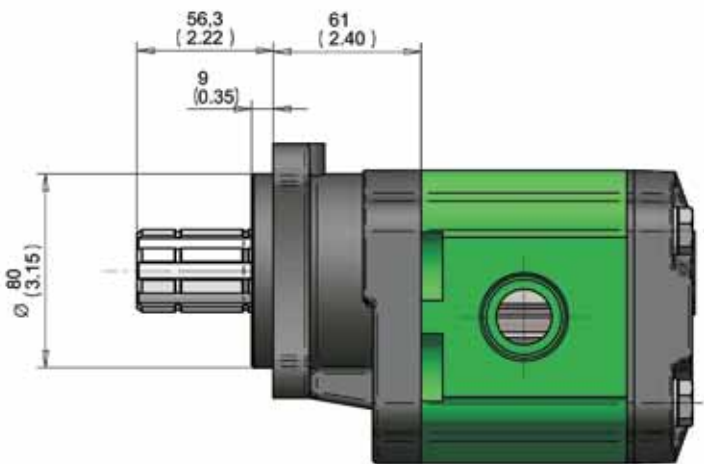
E0.138.0416.02.00IM03



**MOUNTING FLANGES WITH OUTRIGGER BEARING SUPPORT**



<b>CP</b>	<b>European standard mounting flange</b>
With shaft code 38	



<b>Z1</b>	<b>4 Bolts (ZF gear box) ISO 7653</b>
With shaft code 66	

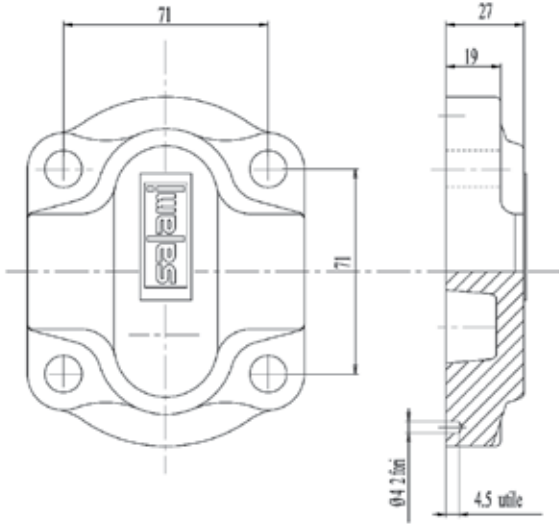


EO.138.0416.02.001M03

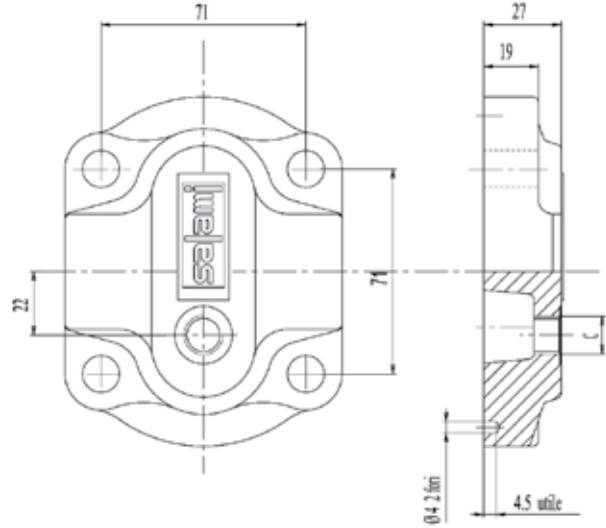




REAR COVERS

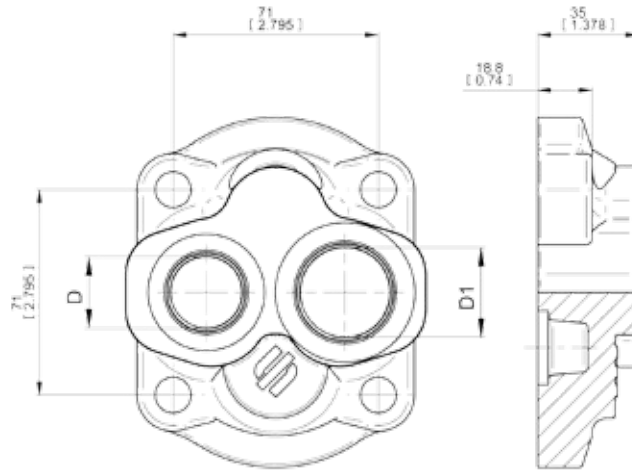


Standard rear cover for unidirectional pumps



Standard rear cover for reversible pumps, with external drain C.

C
9/16-18 UNF-2B (SAE6)
G3/8



UNIDIRECTIONAL PUMPS

code 1

D	D1
1-1/16-12 UN-2B (SAE12)	1-5/16-12 UN-2B (SAE16)
G3/4	G1

On request outlet port only.

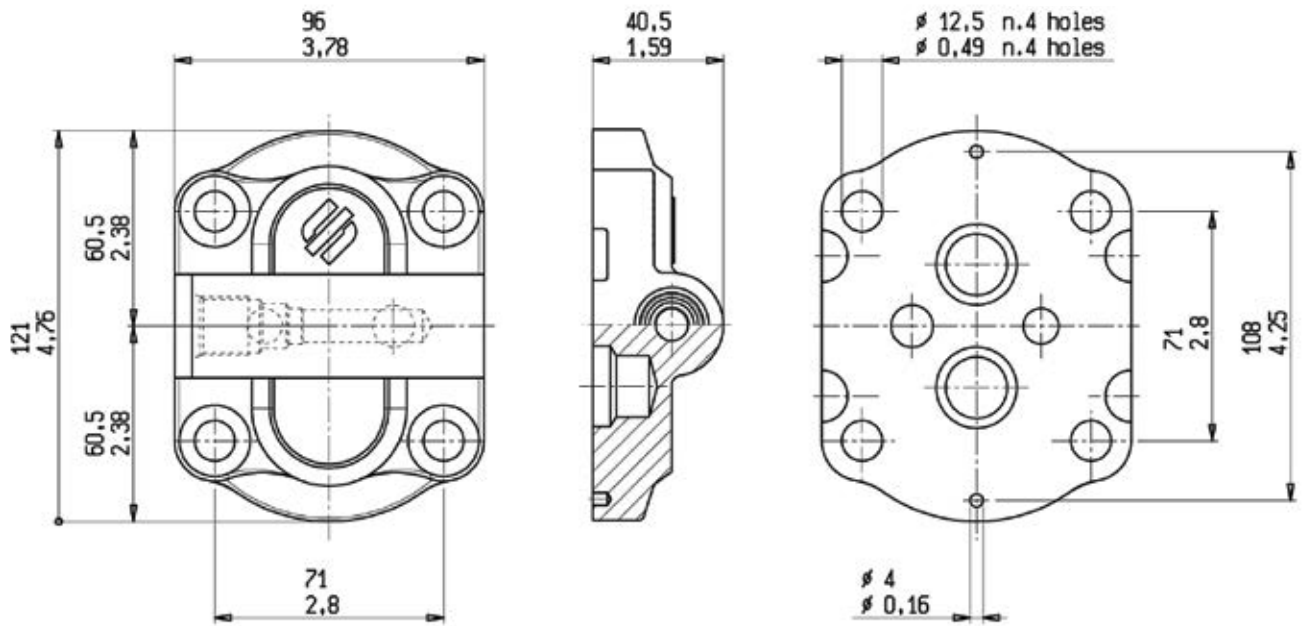
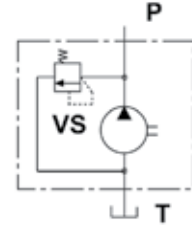
E0.138.0416.02.00IM03



**REAR COVERS WITH RELIEF VALVE**

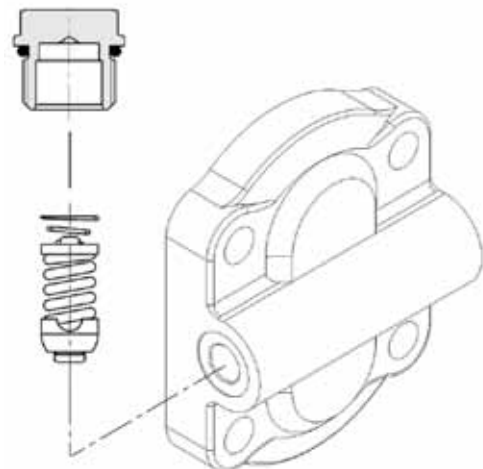
**code VS**

With main relief valve  
with internal unloading line.  
Rear cover with fixed setting main relief valve.



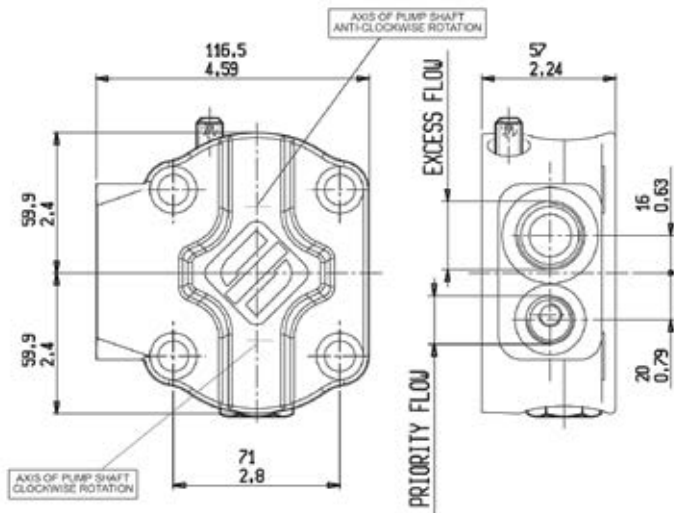
Available values of fixed setting

bar	psi	bar	psi
25	362	160	2320
32	464	175	2538
40	580	190	2756
50	725	210	3046
63	914	230	3336
80	1160	250	3626
100	1450	280	4061
125	1813	315	4569
140	2030	350	5076



EO.138.0416.02.001M03

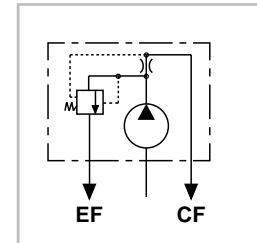
### PRESSURE COMPENSATED CONTROL AND PRIORITY FLOW VALVE



VP1 - VPS1  
SIDE PORTS

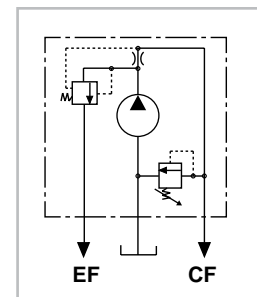
Priority flow ports	Excess flow ports
G 3/8	G 3/4
(SAE8)	(SAE12)
3/4 - 16 UNF - 2B	1-1/16 - 12 UNF - 2B

CALIBRATED ORIFICE Φ d (mm/inch)	FLOW RATE (l/min - gpm) ± 10%
1.5 / (0.06")	2.5 - (0.66)
2 / (0.08")	4 - (1.06)
2.4 / (0.09")	6 - (1.59)
2.8 / (0.11")	8 - (2.11)
3.1 / (0.12")	10 - (2.64)
3.5 / (0.14")	12.5 - (3.30)
4 / (0.16")	16 - (4.23)
4.4 / (0.17")	20 - (5.28)
4.9 / (0.19")	25 - (6.61)



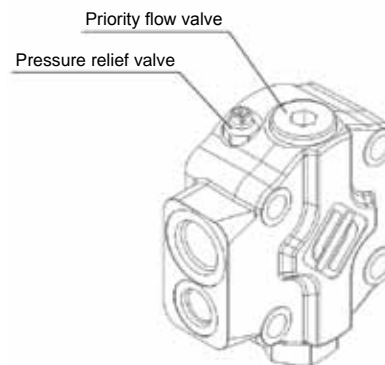
code VP1

Priority flow valve, excess flow to second actuator.



code VPS1

Priority flow valve, excess flow to second actuator with pressure relief valve on priority flow line.



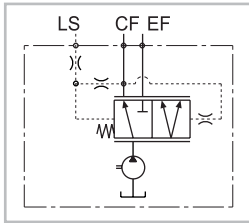
#### PRIORITY FLOW VALVE ( VP - VPS )

3 Ways flow control priority valve. It ensures a constant flow to CF port, given by the screwed control orifice (see table) and regardless of the pump speed; the excess flow is available for other functions at the EF port.

The two lines CF and EF can be loaded simultaneously and the max pressure of the priority line can be limited by a relief valve connected to the suction port.



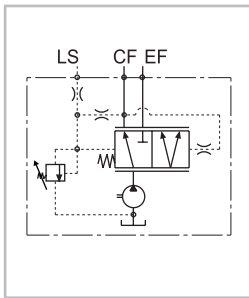
**LOAD SENSING PRIORITY VALVES**



**code VPD1**

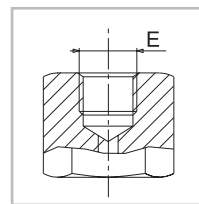
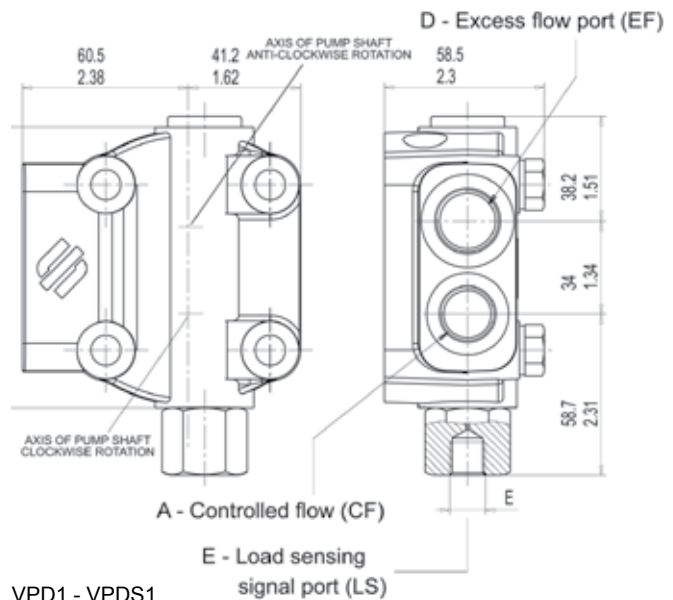
Load sensing priority valve with dynamic signal without main relief valve.

CF = Priority flow port  
EF = Excess flow port  
LS = Load sensing signal port

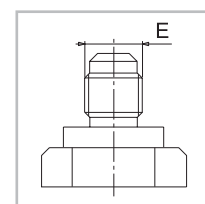


**code VPDS1**

Load sensing priority valve with dynamic signal with main relief valve.



Female fitting



Male fitting

Minimum load sensing signal (LS) = 4 bar (28 psi)

A	D	E
G 3/8	G 3/4	G 1/4
(SAE8)	(SAE12)	(SAE4)
3/4 - 16 UNF - 2B	1-1/16 - 12 UN - 2B	7/16 - 20 UNF - 2B

**LOAD SENSING PRIORITY VALVES ( VDP1-VDPS1 )**

The load sensing priority valve is a control valve able to divide the flow generated by the pump, coming from the port P, in two different flows named Qcf and Qef.

The Qcf flow follows the user request, the flow Qef changes according to the equation:

$$Q_{in} = Q_{cf} + Q_{ef}$$

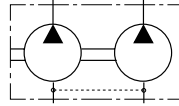
This valve is used in hydraulic steering systems, the CF port is connected to the inlet of power steering unit while the other functions (lifter etc...) are connected to the EF port. The load sensing LS signal of the valve is connected to the LS of power steering unit.

The regulated flow Qcf depends on the steering speed, the remaining flow Qef is available for the other functions and complies with the equation

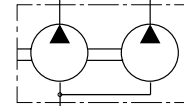
$$Q_{ef} = Q_{in} - Q_{cf}$$



### MULTIPLE GEAR PUMPS ASSEMBLING DIMENSIONS

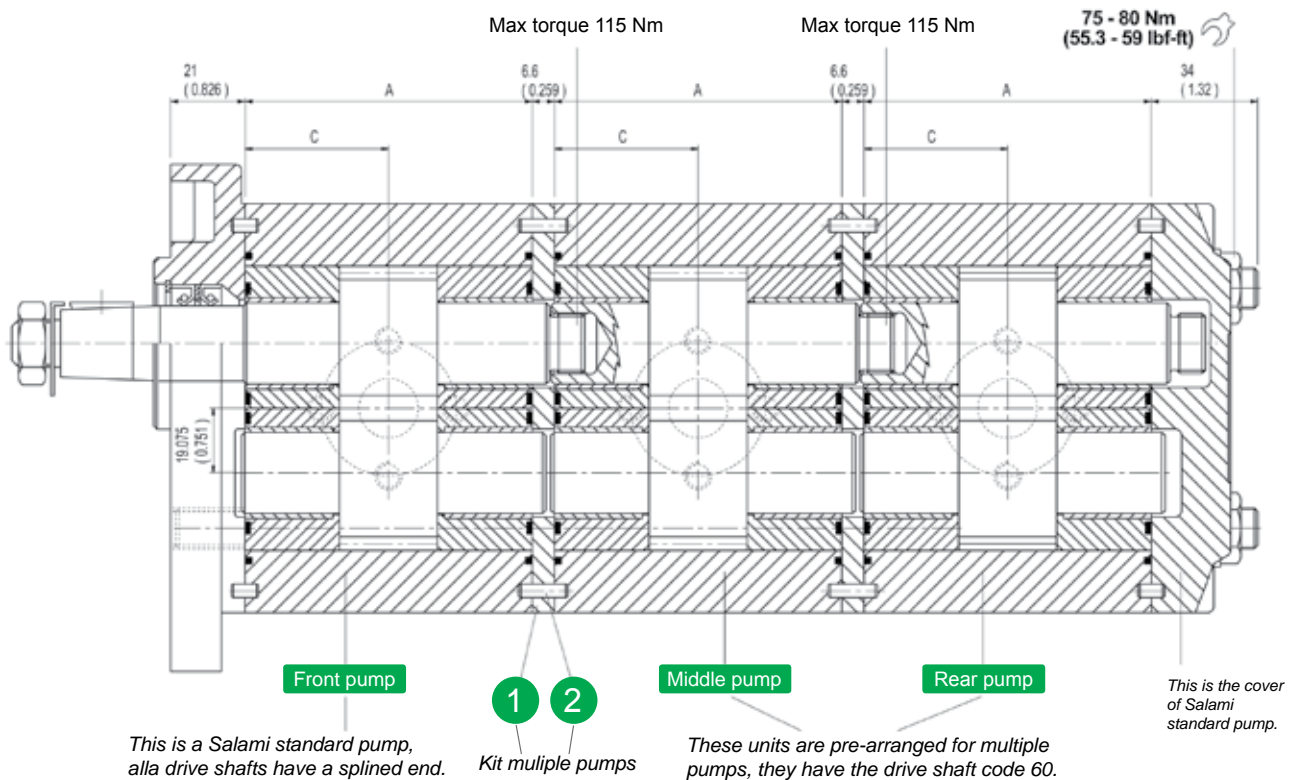


**MULTIPLE GEAR PUMPS with inlet port on each body**



**MULTIPLE GEAR PUMPS with common inlet port\***

\*In case of common inlet port, to avoid too high value of oil speed, 40 l/min is the max. sucked flow for the downstream pump.



The 2.5PB pumps can be easily transformed into front pump in the multiple units. All drive shafts are pre-arranged and have a splined end according to DIN 5482. The first unit must always be the same size or bigger than following units. The features and performances are the same of the corresponding single units: only in the case of simultaneous operating you have to verify that the inlet torque is lower than the max. transmissible by the drive shaft. In case of common inlet port, to avoid too high value of oil speed, 40l/min is the max. sucked flow for the downstream pump. Finally to assembly the multiple pump you need to order bolts of the right length.

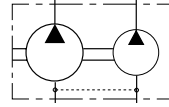
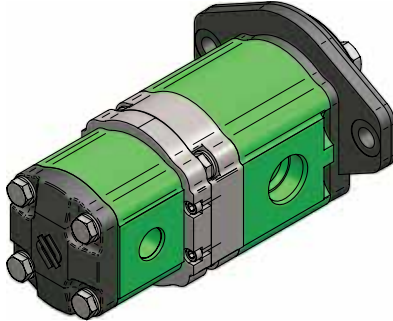
\*Commercial code UA.

Type		5.5	8.3	11.5	13.8	16	19	22	25	28	32	38	44
Dimension A	mm	52.2	54.6	58.2	60.6	63	66.5	70	72.5	85	90.5	96.5	103
	in	2.05	2.15	2.29	2.38	2.48	2.62	2.76	2.85	3.35	3.56	3.80	4.06
Dimension C	mm	26.1	27.3	29.1	30.3	31.5	33.25	35	36.25	42.5	45.25	48.25	51.5
	in	1.03	1.07	1.14	1.19	1.22	1.29	1.36	1.41	1.65	1.76	1.88	2.03

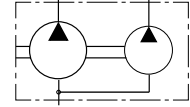
E0.138.0416.02.00IM03



**2.5PB COMBINATION WITH PUMP 2PE**

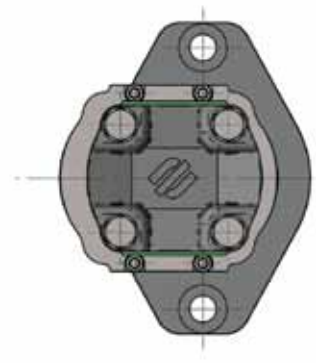
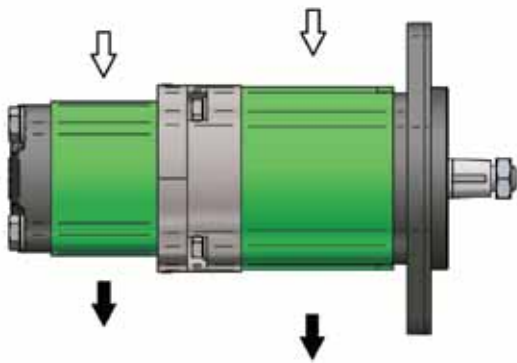
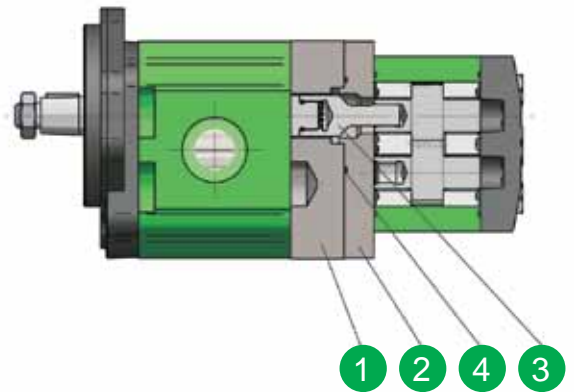
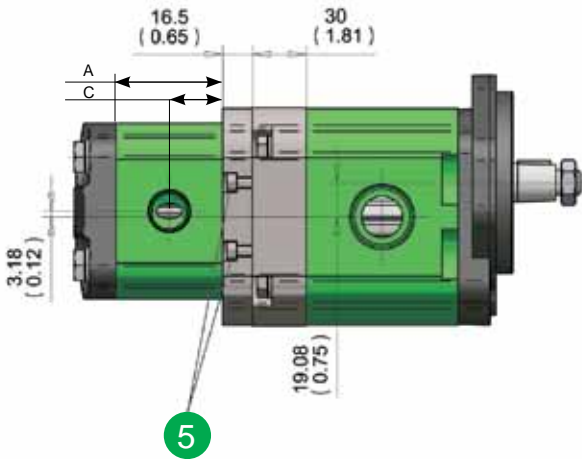


**MULTIPLE GEAR PUMPS with inlet port on each body**



**MULTIPLE GEAR PUMPS with common inlet port\***

\*In case of common inlet port, to avoid too high value of oil speed, 30 l/min is the max. sucked flow for the downstream pump.



EO.138.0416.02.001M03

2PE-Type		3.2*	3.9*	4.5	6.5	8.3	10.5	11.3	12.5	13.8	16	19	22.5	26
Dimension A	mm		47.1		49.95	52.8	56.3		59.7	63.5	67.5	75.6	81	86.8
	in		1.83		1.97	2.07	2.22		2.35	2.5	2.65	2.97	3.19	3.42
Dimension C	mm		23.55		25	26.4	28.15		29.75	31.75	33.75	37.80	40.5	43.4
	in		0.93		0.98	1.04	1.11		1.17	1.25	1.33	1.49	1.59	1.71

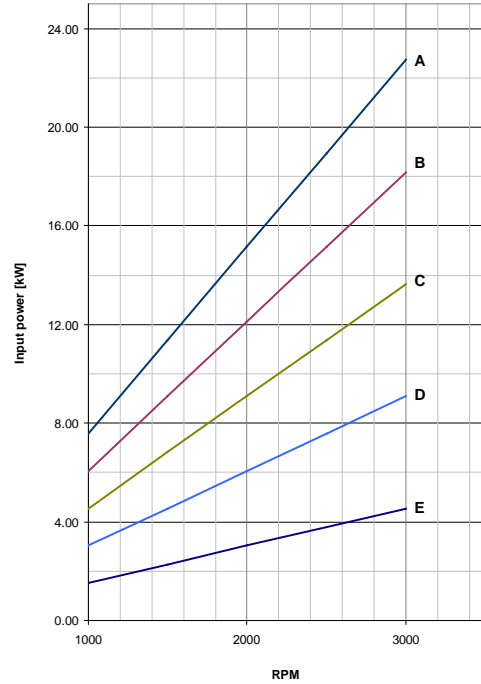
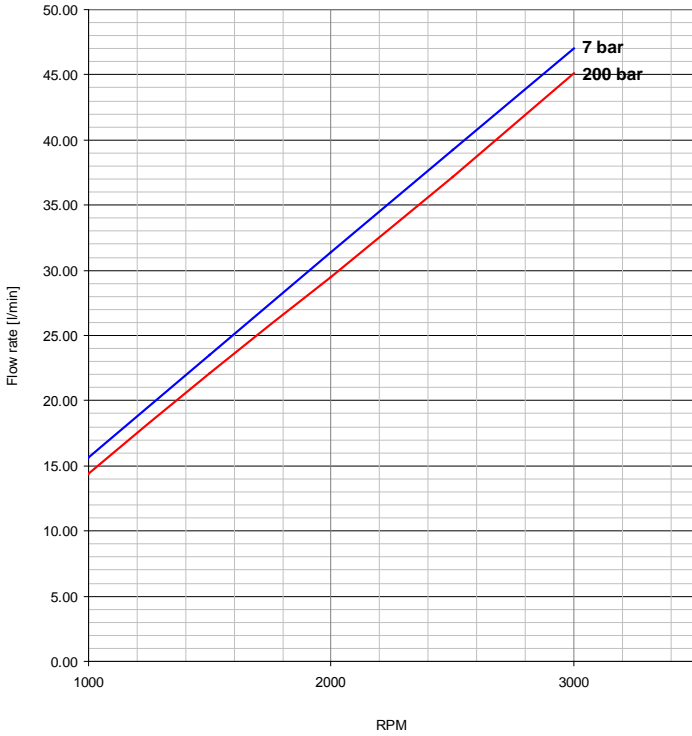
\*Available only as rear pump





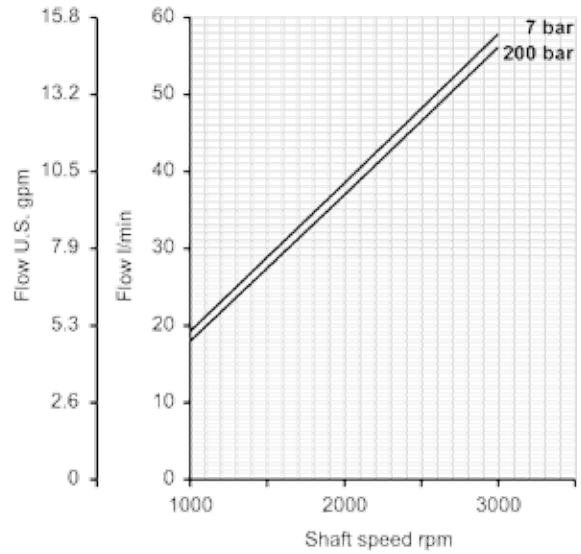
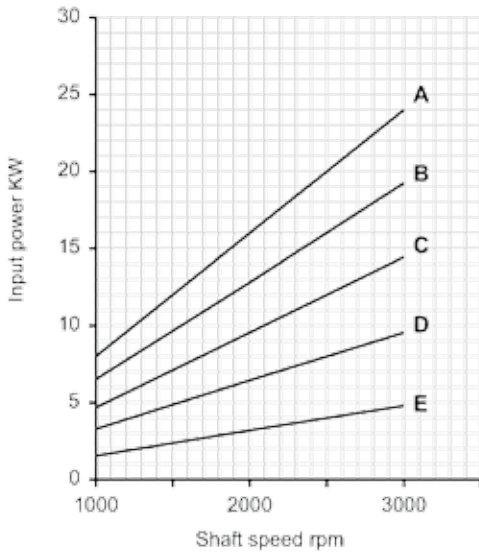
### PERFORMANCE CURVES

Performance curves carried out with oil viscosity at 21 cSt and oil temperature at 50°C



A=250bar - (3625 psi)  
 B=200bar - (2900 psi)  
 C=150bar - (2175 psi)  
 D=100bar - (1450 psi)  
 E=50bar - (725 psi)

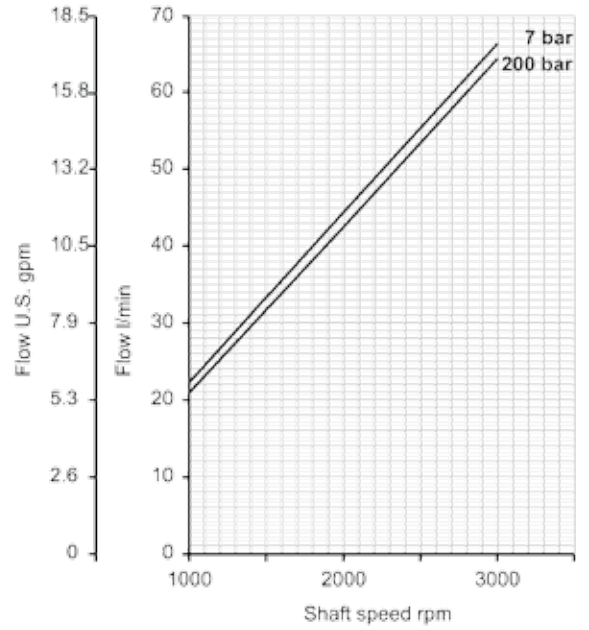
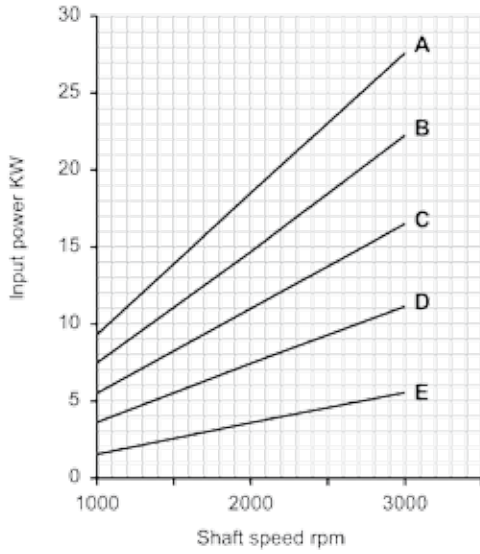
### 2.5PB - 16



E0.138.0416.02.00IM03

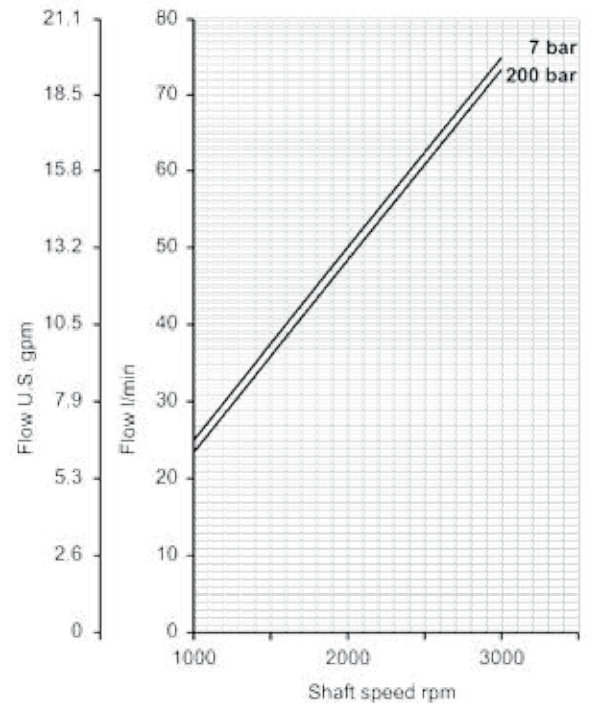
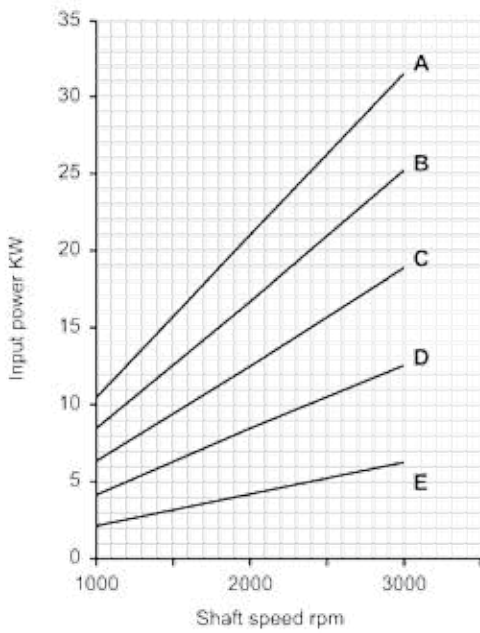
### 2.5PB - 19





**2.5PB - 22**

A=250bar - (3625 psi)  
B=200bar - (2900 psi)  
C=150bar - (2175 psi)  
D=100bar - (1450 psi)  
E=50bar - (725 psi)

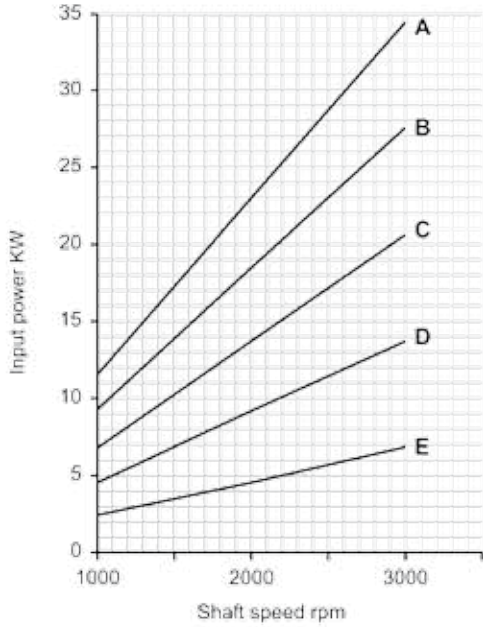


**2.5PB - 25**

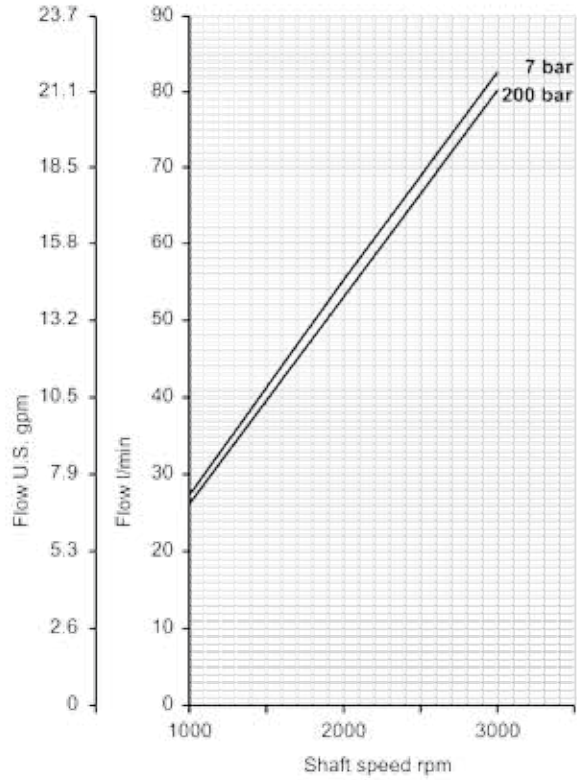
EO.138.0416.02.001M03



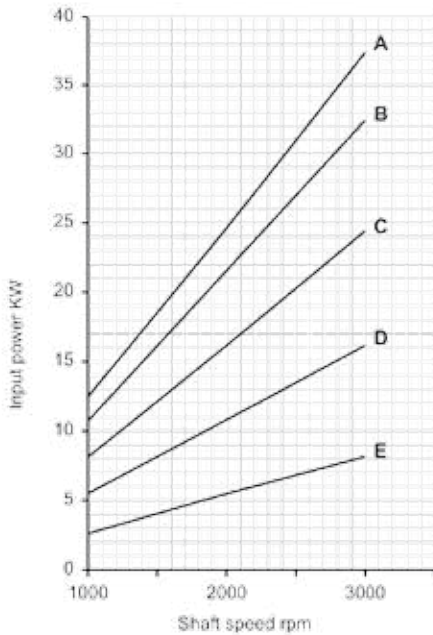




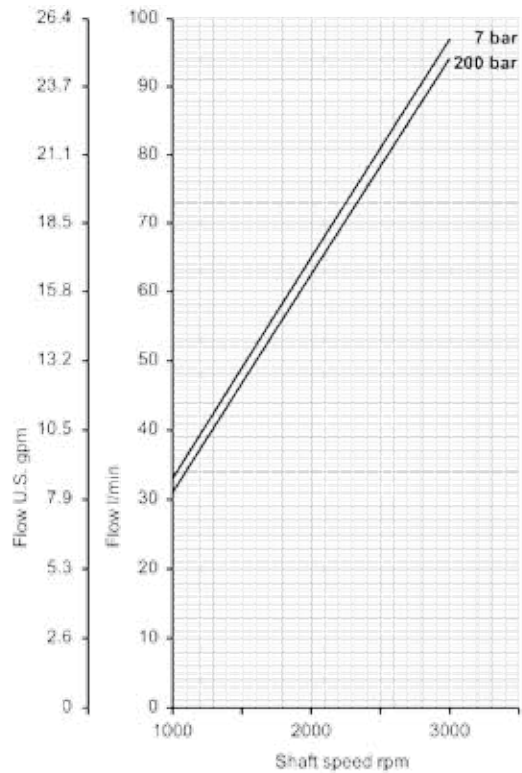
A=250bar - (3625 psi)  
 B=200bar - (2900 psi)  
 C=150bar - (2175 psi)  
 D=100bar - (1450 psi)  
 E=50bar - (725 psi)



### 2.5PB - 28

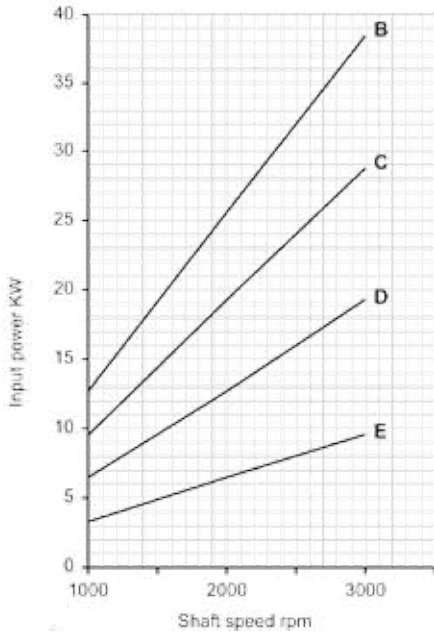


A=230bar - (3325 psi)  
 B=200bar - (2900 psi)  
 C=150bar - (2175 psi)  
 D=100bar - (1450 psi)  
 E=50bar - (725 psi)

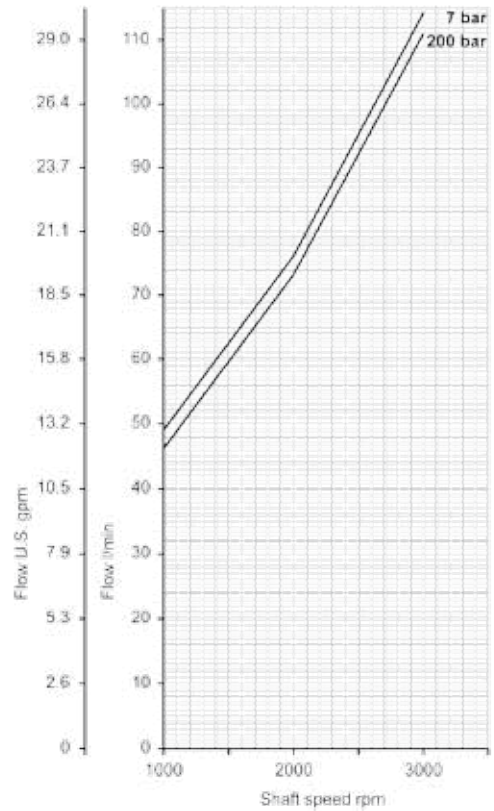


### 2.5PB - 32



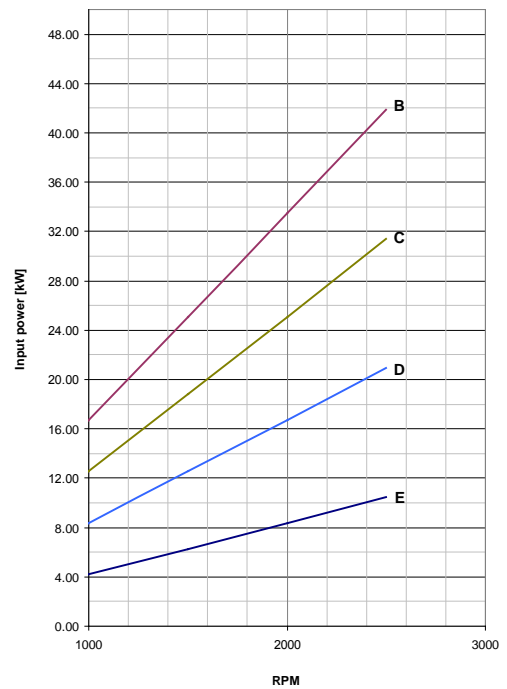
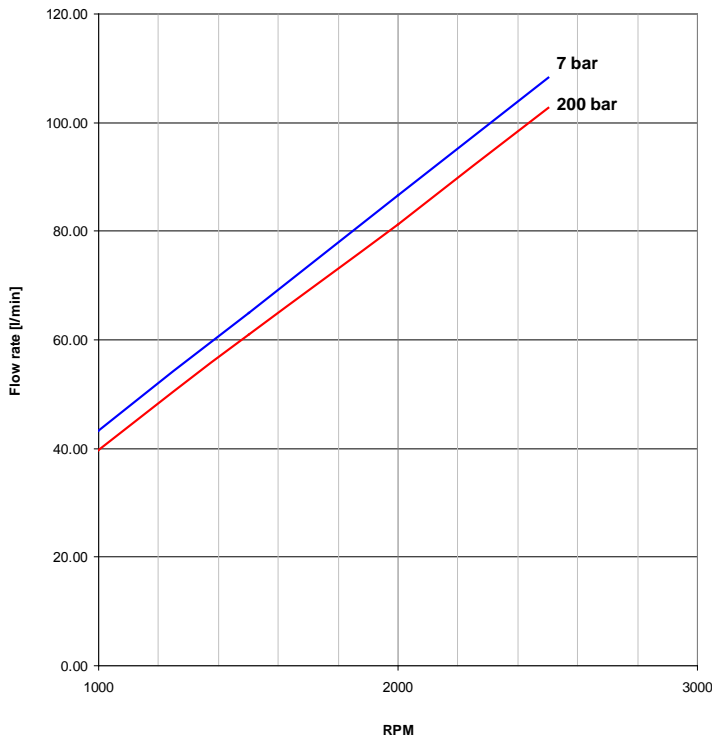


B=200bar - (2900 psi)  
C=150bar - (2175 psi)  
D=100bar - (1450 psi)  
E=50bar - (725 psi)



**2.5PB - 38**

B=200bar - (2900 psi)  
C=150bar - (2175 psi)  
D=100bar - (1450 psi)  
E=50bar - (725 psi)



**2.5PB - 44**

EO.138.0416.02.001M03



### SINGLE PUMPS

Adjustable flow l/min

Setting main relief valve (bar)

2.5PB    A    B    C    D    E    F    G    H    I    L    ... / ...

19    D    P    38    P2    V    1    CP    PD2    VS

TYPE	A	DISPLACEMENTS	
11.5	11.76 cm <sup>3</sup> /rev.	0.72 cu.in/rev.	
13.8	14.07 cm <sup>3</sup> /rev.	0.86 cu.in/rev.	
16	16 cm <sup>3</sup> /rev.	0.97 cu.in/rev.	
19	19.3 cm <sup>3</sup> /rev.	1.17 cu.in/rev.	
22	22.2 cm <sup>3</sup> /rev.	1.35 cu.in/rev.	
25	25.2 cm <sup>3</sup> /rev.	1.53 cu.in/rev.	
28	27.6 cm <sup>3</sup> /rev.	1.68 cu.in/rev.	
32	32.4 cm <sup>3</sup> /rev.	1.97 cu.in/rev.	
38	38.1 cm <sup>3</sup> /rev.	2.32 cu.in/rev.	
44	44.2 cm <sup>3</sup> /rev.	2.69 cu.in/rev.	

ROTATION (page 4)		CODES	B
Clockwise		D	
Anti-clockwise		S	
Reversible		R	

PORTS (page 63)		CODES	C
Flanged ports european standard		P	
Flanged ports SAE (UNC)		S	
Threaded ports GAS (BSPP)		G	
Threaded ports SAE (ODT)		R	

DRIVE SHAFT (page 64)		CODES	D
Tapered 1:8		38	
SAE A splined 10T		53	
SAE A splined 11T		54	
SAE B splined 13T		55	
Tapered 1:4		37	
7/8" SAE B parallel shaft Ø22.22		87	

L VALVES IN THE COVER (page 69)		CODES
Fixed main relief valve		VS
Priority flow divider with excess flow to 2nd actuator		VP1
Priority flow divider with excess flow to 2nd actuator with main relief valve		VPS1
Priority flow divider with Load sensing with dynamic signal		VPD1
Load sensing priority valve with dynamic signal with main relief valve		VPDS1

I REAR COVER (page 73)		CODE
Pre-arranged for 2PE rear		PD2

H OUTRIGGER BEARING (page 66)		CODES
European standard		CP
4 Bolts for ZF gear box Ø80		Z1

G PORTS POSITION		CODE
Lateral ports standard		
Rear ports (page)		1

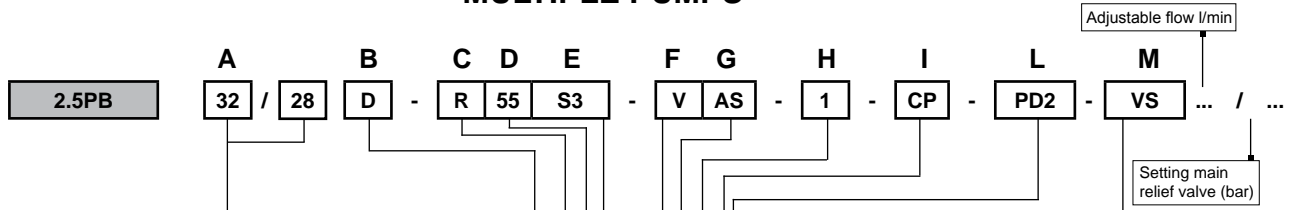
F SEAL		CODE
Buna standard		
Viton		V

E MOUNTING FLANGES (page 64)		CODES
European standard		P2
SAE A 2 bolts		S2
SAE B 2 bolts		S3
3 BOLT UNI 8953		T1

Order example 2.5PB 19D, ports European standard (P), drive shaft (38), mounting flange (P2) with valve in the cover (VS 190 bar).  
2.5PB19D-P38P2-VS190



**MULTIPLE PUMPS**



TYPE	DISPLACEMENTS		A
5.5	5.97 cm <sup>3</sup> /rev.	0.36 cu.in/rev.	
8.3	8.29 cm <sup>3</sup> /rev.	0.50 cu.in/rev.	
11.5	11.76 cm <sup>3</sup> /rev.	0.72 cu.in/rev.	
13.8	14.07 cm <sup>3</sup> /rev.	0.86 cu.in/rev.	
16	16 cm <sup>3</sup> /rev.	0.97 cu.in/rev.	
19	19.3 cm <sup>3</sup> /rev.	1.17 cu.in/rev.	
22	22.2 cm <sup>3</sup> /rev.	1.35 cu.in/rev.	
25	25.2 cm <sup>3</sup> /rev.	1.53 cu.in/rev.	
28	27.6 cm <sup>3</sup> /rev.	1.68 cu.in/rev.	
32	32.4 cm <sup>3</sup> /rev.	1.97 cu.in/rev.	
38	38.1 cm <sup>3</sup> /rev.	2.32 cu.in/rev.	
44	44.2 cm <sup>3</sup> /rev.	2.69 cu.in/rev.	

ROTATION (page 4)	CODES	B
Clockwise	D	
Anti-clockwise	S	

PORTS (page 63)	CODES	C
Flanged ports european standard	P	
Flanged ports SAE (UNC)	S	
Threaded ports GAS (BSPP)	G	
Threaded ports SAE (ODT)	R	

DRIVE SHAFT (page 64)	CODES	D
Tapered 1:8	38	
SAE A splined 10T	53	
SAE A splined 11T	54	
SAE B splined 13T	55	
Tapered 1:4	37	
7/8" SAE B parallel shaft Ø22.22	87	

M VALVES IN THE COVER (page 69)	CODES
Fixed main relief valve	VS
Priority flow divider with excess flow to 2nd actuator	VP1
Priority flow divider with excess flow to 2nd actuator with main relief valve	VPS1
Priority flow divider with Load sensing with dinamic signal	VPD1
Load sensing priority valve with dinamic signal with main relief valve	VPDS1

L REAR COVER (page 73)	CODE
Pre-arranged for 2PE rear	PD2

I OUTRIGGER BEARING (page 66)	CODES
European standard	CP
4 Bolts for ZF gear box Ø80	Z1

H PORTS POSITION	CODE
Lateral ports standard	
Rear ports (page)	1

G SUCTION PORTS	CODES
Common suction	UA*
Separated stages	AS

F SEAL	CODE
Buna standard	
Viton	V

E MOUNTING FLANGES (page 64)	CODES
European standard	P2
SAE A 2 bolts	S2
SAE B 2 bolts	S3
3 BOLT UNI 8953	T1

EO.138.0416.02.001M03

Order example 2.5PB 32/28D, ports SAE (R), drive shaft (55), mounting flange (S3).  
**2.5PB32/28D-R55S3**





**You can find our most up to date “STANDARD SALES CONDITIONS” on our website.**

**Potete trovare le nostre più aggiornate “CONDIZIONI DI VENDITA STANDARD” sul nostro sito.**

**www.salami.it**

**T. +39 059 387 411**

**sales@salami.it**

Watch our tutorials on youtube channel



Salami Fluid Power  
Salami Fluid Power World  
Salami Fluid Power France  
Salami Fluid Power España  
Salami Fluid Power Deutsch



**SALAMI S.P.A.**

Via Emilia Ovest 1006  
41121 Modena (Italy)  
T. +39 059 387 411  
F. +39 059 387 639  
sales@salami.it

**SALAMI ESPAÑA**

Poligono Industrial Armenteres  
C/Primer de Maig, 18, Nave 4  
08980 San Feliu de Llobregat  
Barcelona  
T. +34-93-6327288  
F. +34-93-6667826  
info@salamispain.com

**SALAMI FRANCE**

22, rue Louis Saillant  
69120 Valux en Velin  
Lyon  
T. +33-04-78809941  
F. +33-04-78804264  
e.pasian@salami.fr

**SALAMI HYDRAULICS N.A INC**

Loop Road  
Baldwinsville  
NY 13027 - USA  
T. +1-315-295-2363  
F. +1-315-295-2364  
info@salamihydraulics.com