



HERION & RAU  
Fluidtechnik GmbH

# Compact-Pressure Switch SW27 Series HDC

Electromechanical Pressure Switch

Switching point adjustable: 10 ... 320bar

Hydraulics



90077.1009

Zeppelinstraße 6  
D-71083 Herrenberg

fon +49 (0) 7032/2017-0  
fax +49 (0) 7032/2017-199

kontakt@bar-control.de  
www.bar-control.de

---

## Features

---

Compact-Pressure Switch SW 27 series HDC are electromechanical signal converter, distinguished by high precision, that are changing the pressure of fluids into electrical signals. Switching point and hysteresis are being offered factory-set. Optional the setting of switching point and hysteresis are adjustable by the user. Compact-Pressure switches HDC are designed for use in fluid-technical-systems under normal environmental conditions.

The HDC operates as a piston operated pressure switch and different gradings up to max. 320bar setting range are adjustable. The specific design of the HDC, laid-out as a changer, enables overhanging electric performance characteristics. Based on this the HDC is applicable reliably for voltages up to max. 250V with a switching current up to 4A but also for small currents and voltages of 5V with minimum 5mA.

The units are available with sockets DIN EN 175301-803.

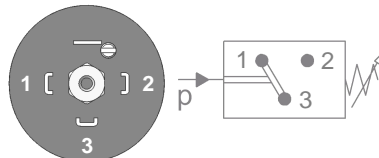


---

## Contact Arrangement / Circuit Symbols

---

DIN EN 175301-803



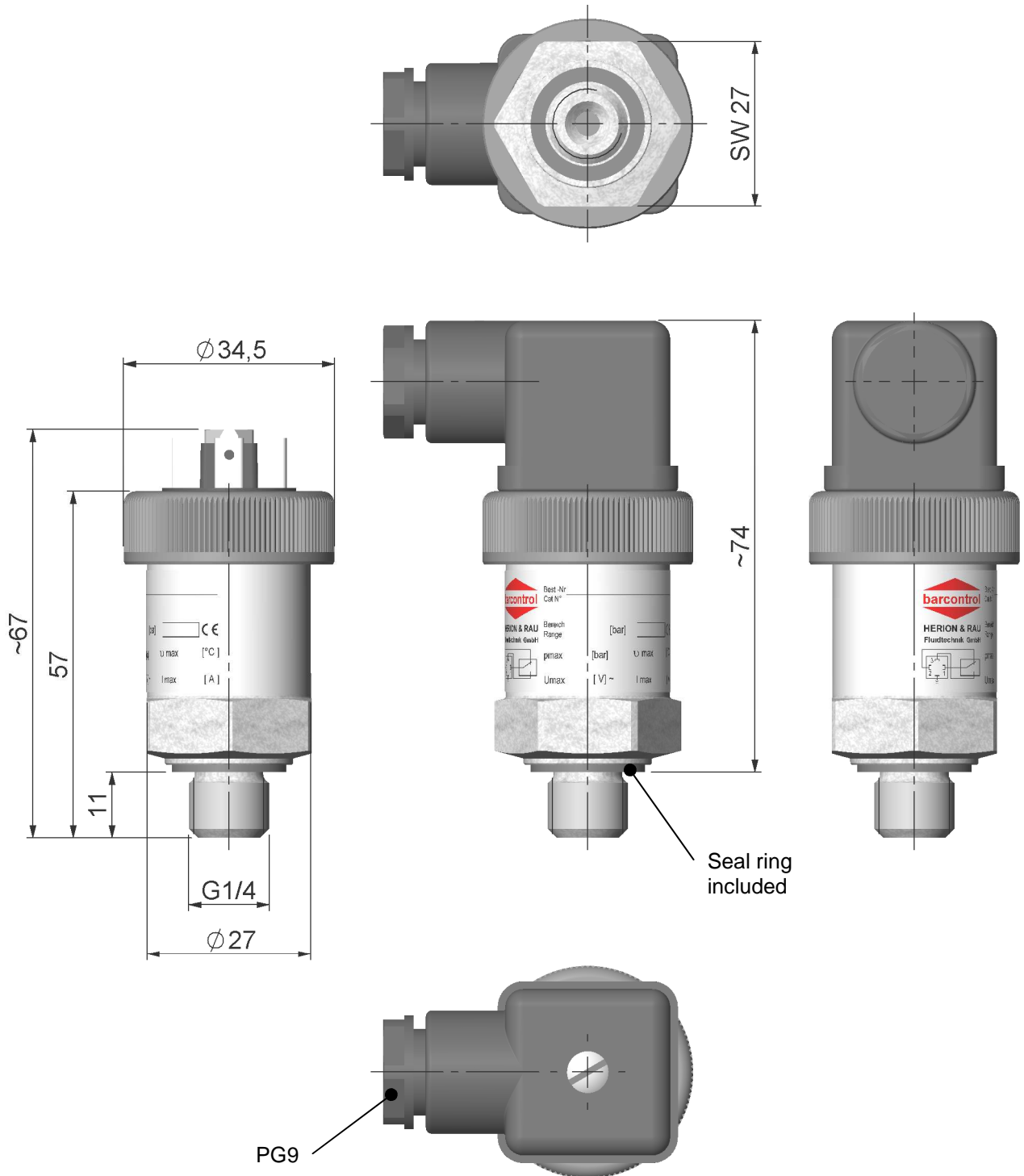
---

## Technical Data

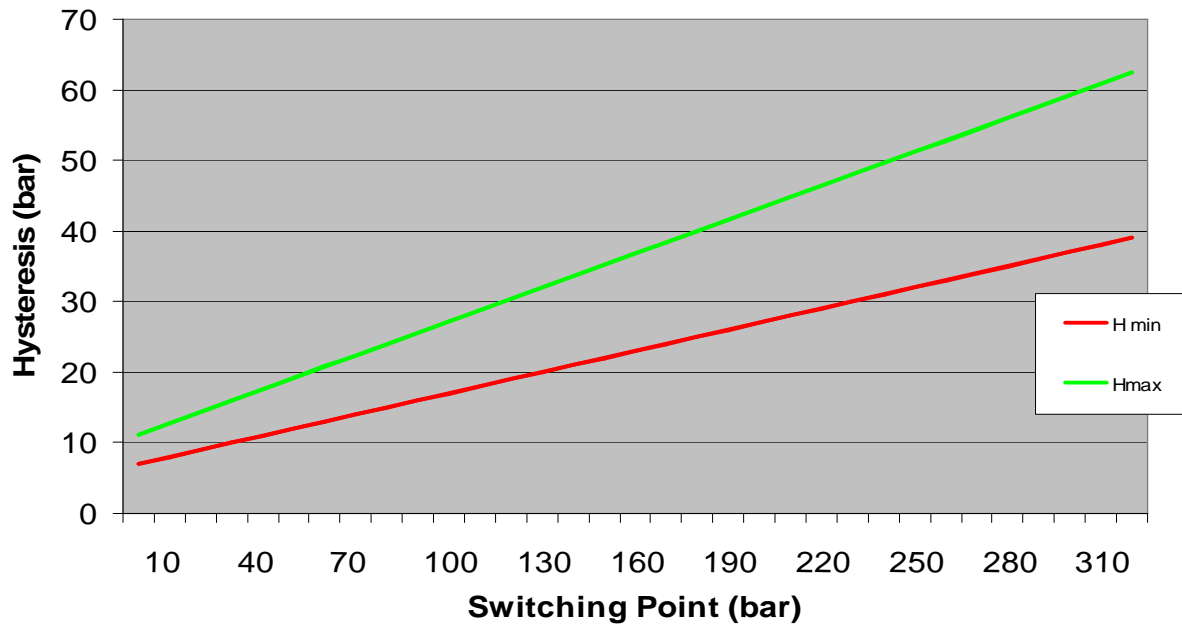
---

Operating fluid:	self-lubricating fluid like for example hydraulic oil, lubricating oil
Type of mounting:	by fluid connection
Fluid connection:	external thread G <sup>1</sup> / <sub>8</sub> “, G <sup>1</sup> / <sub>4</sub> “, M10x1, 1/8NPT, 1/4NPT, other on request
Mounting position:	optional
Operating pressure range:	10... 30bar; 10... 80; 10...120; 10...160; 20...200; 20...250; 30...320 (each with max. system pressure 350bar)
Repeatability:	±2% relating to operating range maximum value
Switching pressure difference:	adjustable, see diagram switching pressure difference page 4
Max. switching frequency:	100/min
Temperature range:	-20°C up to +80°C
Vibration resistance:	10g (10 ... 2000Hz)
Shock resistance:	30g
Electrical connection:	socket DIN EN 175301-803 (DIN 43650 type A)
Switching element:	change-over switch with catch spring as switching element and self-cleaning contacts
Operating current and voltage at operating category:	AC12 acc. to VDE0660 (EN60947): 4A at 250VAC AC14 acc. to VDE0660 (EN60947): 1A at 250VAC DC12 acc. to VDE0660 (EN60947): 2A at 28VDC DC14 acc. to VDE0660 (EN60947): 0,5A at 28VDC
CE-Certification:	acc. to EU standard 73/23/EWG
Protection category EN 60529:	IP65 with fitted connector
Material:	housing: steel-zinc coated, other on request sealing: PTFE / Perbunan
Weight:	0,100 kg

## Dimensions



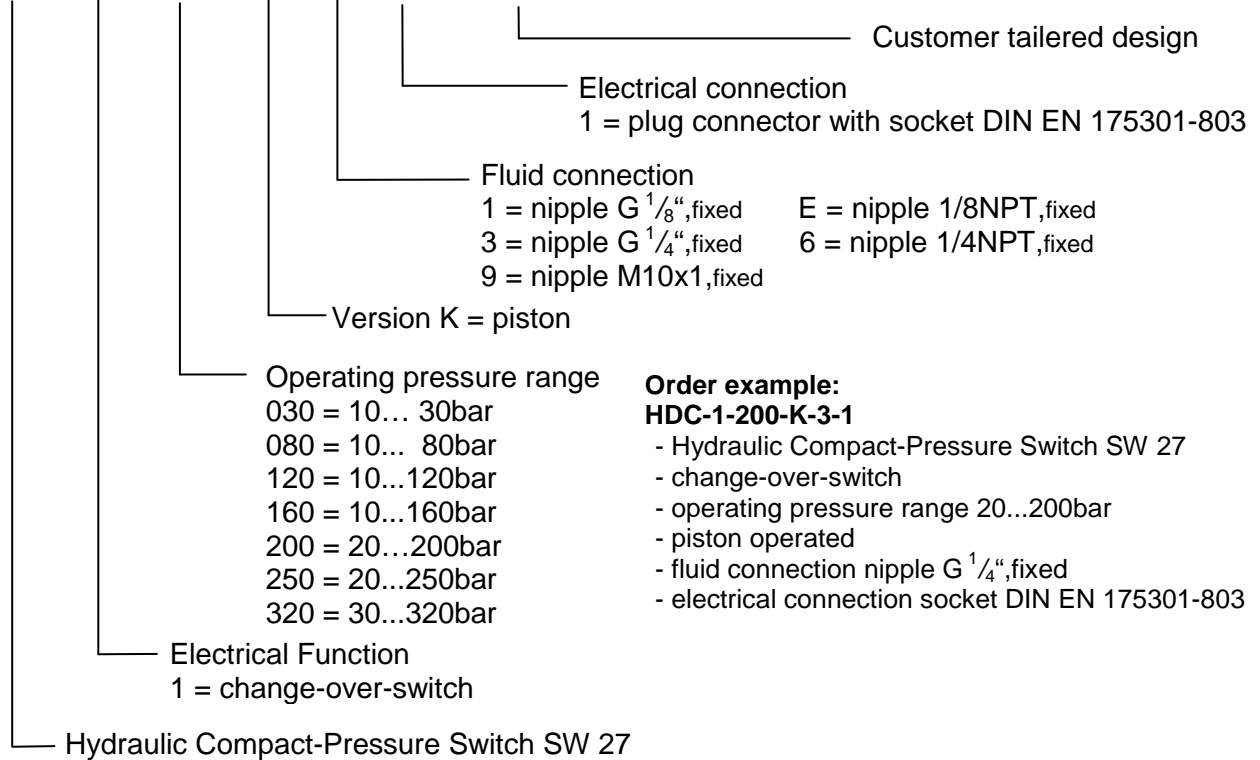
## Switching Pressure Difference



**Example:** At a switching point of 100bar a switching pressure difference (Hysteresis) of minimal 18bar up to maximal 28bar is adjustable (guiding value).

## Order Code

**HDC - 1 - XXX - K - X - 1 - GE XXX**



Specifications are subject to change without notice.