



HERION & RAU
Fluidtechnik GmbH

Allfluid Pressure Switch Series ADS

Electromechanical Pressure Switch

Switching Point adjustable: 0.2 to 2 bar
0.5 to 8 bar
1.0 to 16 bar



90069.0209

Zeppelinstraße 6
D-71083 Herrenberg

fon +49 (0) 7032/2017-0
fax +49 (0) 7032/2017-199

kontakt@bar-control.de
www.bar-control.de

Features

The Allfluid Pressure Switch Series ADS converts the pressure in fluids into an electrical signal. The switching point, using an adjusting knob, is fully adjustable within different pressure setting ranges continuously (see Technical Data – Operating Pressure Range).

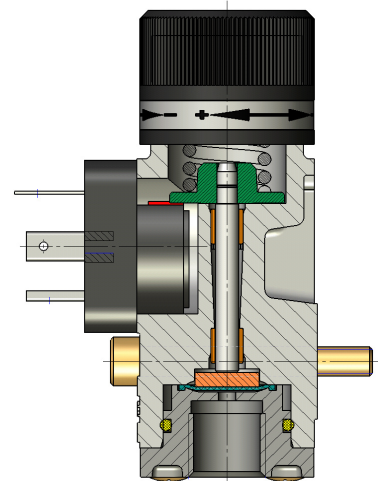
The built-in micro switch is used to change the circuit.

The ADS Pressure Switch is intended for use in environmental media of aggressive fluids and gases up to maximum pressure of 20bar. All fluid-wetted parts/components are made out of stainless steel 1.4305 (V2A) or 1.4404 (V4A) respectively out of modified PTFE Type HS 22121.

For specific applications we recommend to test the medium compatibility of the ADS.

Corresponding to the application the ADS is equipped with the electrical connection DIN 43650 Type A or M12x1.

Sockets with or without LEDs can be supplied as accessories.



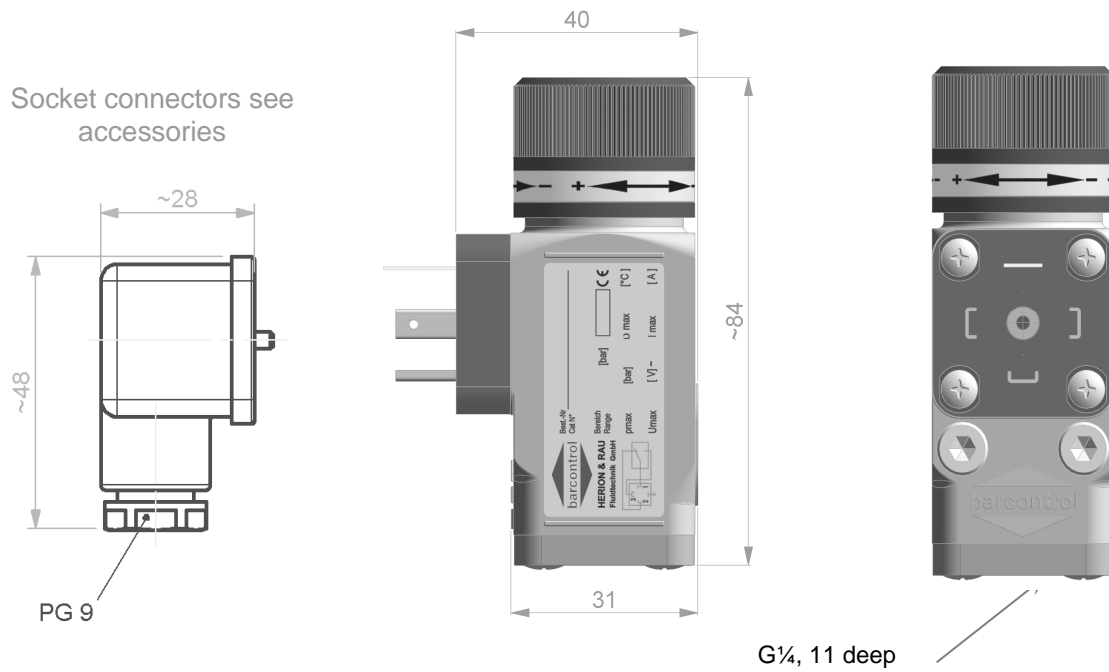
Contact Arrangement / Circuit Symbols



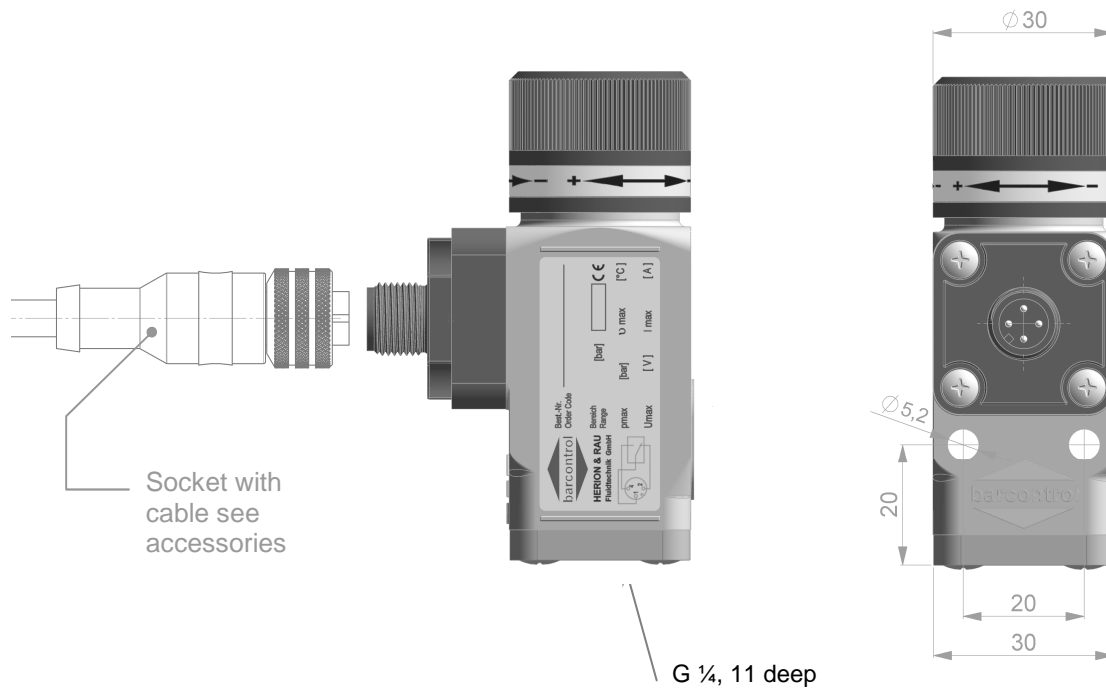
Technical Data

| | |
|--------------------------------|--|
| Operating fluids: | neutral fluids and aggressive fluids |
| Mounting holes: | 2 through-holes, Ø5,2mm |
| Fluid connection: | G1/4" inner pipe thread |
| Mounting position: | optional |
| Operating pressure range: | 0.2...2 bar 0.5...8 bar 1...16 bar (max. system pressure 20 bar) |
| Repeatability: | ±2% of operating range maximum value |
| Switching pressure difference: | see Diagram Switching pressure difference page 4 |
| Max. switching frequency: | 100/min |
| Temperature range: | -10°C to +80°C |
| Vibration resistance: | 10g (10 ... 2000Hz) |
| Shock resistance: | 30g |
| Electrical connection: | sockets acc. to DIN 43650, Form A (EN175301-803, ISO4400); M12x1 |
| Switching element: | Spring-snap switcher with self-cleaning contacts |
| Operating voltage at | AC12: VDE0660 (EN60947): 4A at 250 VAC |
| Operating category: | AC14: VDE0660 (EN60947): 1A at 250 VAC DC12: VDE0660 (EN60947): 3A at 28 VDC DC14: VDE0660 (EN60947): 1A at 28 VDC |
| CE-Certification: | acc to EU-Standard 73/23/EWG |
| Degree of protection EN 60529: | DIN 43650: IP65; M12x1: IP67 |
| Material: | fluid-wetted parts: stainless steel 1.4305 or 1.4404, diaphragm: PTFE housing: zinc die-cast, adjustment knob: Aluminium, powder-coated |
| Weight: | 0,310 kg |

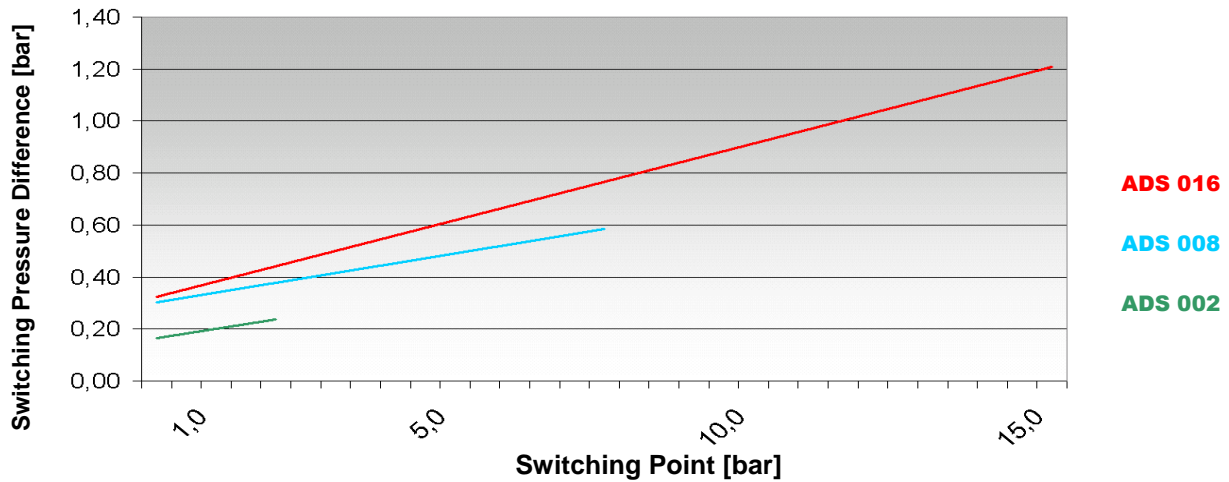
Fluid connection G $\frac{1}{4}$, Electric Connection DIN 43650 Type A



Fluid connection G $\frac{1}{4}$, Electric Connection M12x1

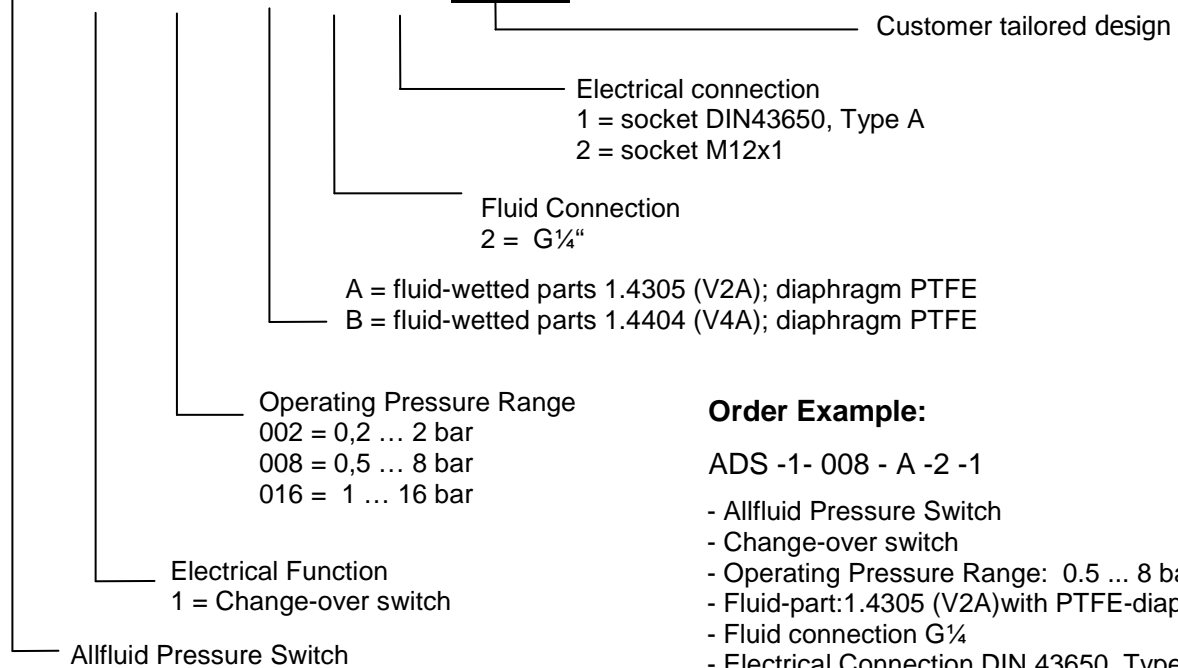


Switching Pressure Difference



Order Code

ADS - 1 - XXX - X - 2 - X - GE XXX



Order Example:

ADS -1- 008 - A -2 -1

- Allfluid Pressure Switch
- Change-over switch
- Operating Pressure Range: 0.5 ... 8 bar
- Fluid-part:1.4305 (V2A)with PTFE-diaphragm
- Fluid connection G $\frac{1}{4}$
- Electrical Connection DIN 43650, Type A

Accessories

Standard-Socket DIN 43650 Type A, ISO 4400

Part Number. 11 000

Standard-Socket DIN 43650 with 2 integrated LEDs 28V

Part Number. 11 001

Socket with cable (L=1,5m), 4-pole, straight, for M12x1

Part Number. 11 041

Specifications are subject to change without notice.