

CLOSING ELEMENT FOR DIN 24342 LOGIC CARTRIDGES



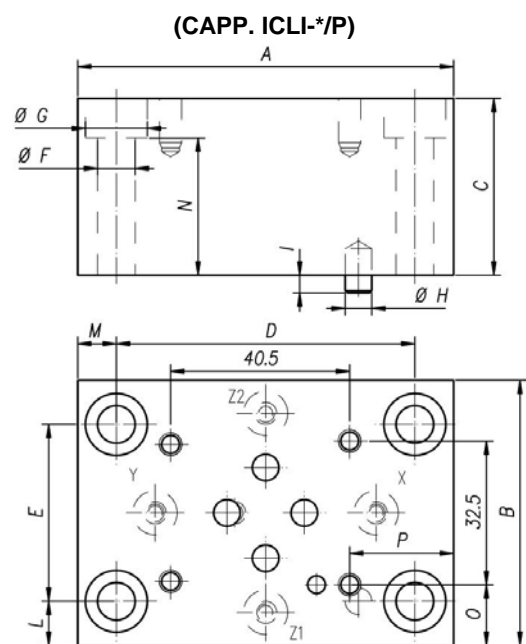
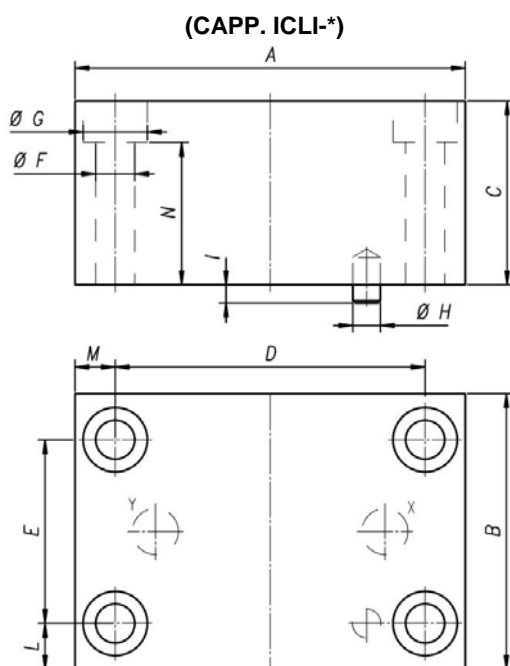
Description

Closing elements to be matched with ICLI-** logic cartridges. Two-way logical cartridges used to realize pressure, flow and direction control.

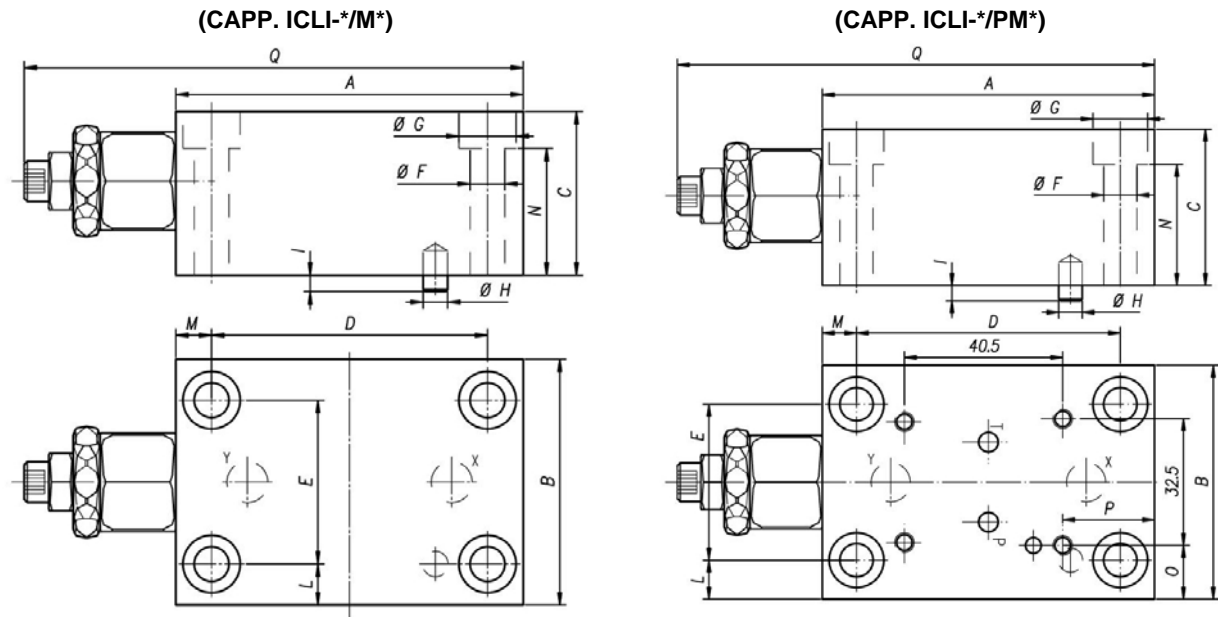
Symbol

TYPE	HYDRAULIC DIAGRAM
CAPP. ICLI-*	
CAPP. ICL-*/P	
CAPP. ICL-*/M*	
CAPP. ICL-*/PM*	

Dimensions



CLOSING ELEMENT FOR DIN 24342 LOGIC CARTRIDGES

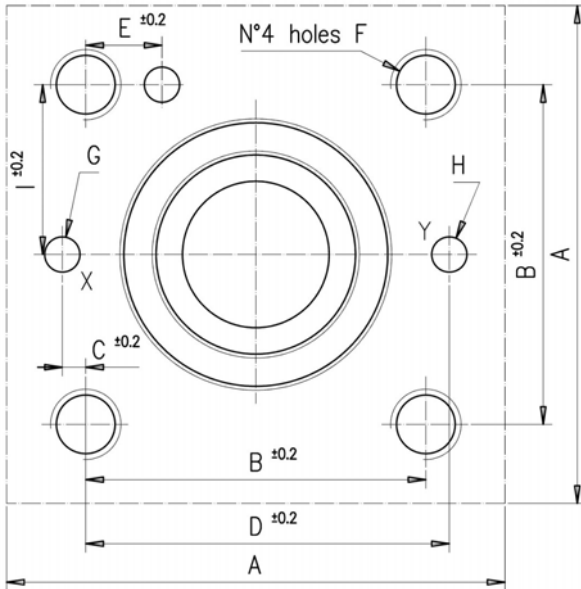


TYPE	A	B	C	D	E	F	G	H	I	L	M	N	O	P	~ Q
CAPP.ICLI-1	65	65	40	46	46	8.5	14	3	4	9.5	9.5	32	-	-	-
CAPP.ICLI-1/P	80	65	40	46	46	8.5	14	3	4	9.5	17	31	16.25	6	-
CAPP. ICLI-1/M*	65	65	40	46	46	8.5	14	3	4	9.5	9.5	31	-	-	98
CAPP. ICLI-1/PM*	80	65	40	46	46	8.5	14	3	4	9.5	17	31	16.25	6	113
CAPP.ICLI-2	85	85	40	58	58	12.5	20	5	4	13.5	13.5	27.5	-	-	-
CAPP.ICLI-2/P	85	85	40	58	58	12.5	20	5	4	13.5	13.5	27.5	26.25	23.5	-
CAPP. ICLI-2/M*	85	85	40	58	58	12.5	20	5	4	13.5	13.5	27.5	-	-	118
CAPP. ICLI-2/PM*	85	85	40	58	58	12.5	20	5	4	13.5	13.5	27.5	26.25	23.5	118
CAPP.ICLI-3	100	100	50	70	70	17	26	5	6	15	15	34	-	-	-
CAPP.ICLI-3/P	100	100	50	70	70	17	26	5	6	15	15	34	33.75	31	-
CAPP. ICLI-3/M*	100	100	50	70	70	17	26	5	6	15	15	34	-	-	133
CAPP. ICLI-3/PM*	100	100	50	70	70	17	26	5	6	15	15	34	33.75	31	133
CAPP.ICLI-4	125	125	60	85	85	21	31	5	6	20	20	39	-	-	-
CAPP.ICLI-4/P	125	125	60	85	85	21	31	5	6	20	20	39	46.25	43.5	-
CAPP. ICLI-4/M*	125	125	60	85	85	21	31	5	6	20	20	39	-	-	158
CAPP. ICLI-4/PM*	125	125	60	85	85	21	31	5	6	20	20	39	46.25	43.5	158
CAPP.ICLI-5	140	140	70	100	100	21	31	6	4	20	20	49	-	-	-
CAPP.ICLI-5/P	140	140	70	100	100	21	31	6	4	20	20	49	53.75	51	-
CAPP. ICLI-5/M*	140	140	70	100	100	21	31	6	4	20	20	49	-	-	173
CAPP. ICLI-5/PM*	140	140	70	100	100	21	31	6	4	20	20	49	53.75	51	173

CLOSING ELEMENT FOR DIN 24342 LOGIC CARTRIDGES



Mounting surface for 1-2-3-4-5 sizes



TYPE	1	2	3	4	5
A	65	85	102	125	140
B	46	58	70	85	100
C	2	4	6	7.5	8
D	48	62	76	92.5	108
E	12.5	13	18	19.5	20
F	M8X22	M12X30	M16X38	M20X46	M20X46
G					
H	4	6	8	10	10
I	23	29	35	42.5	50

Installation rules

- The caps type CAPP.ICLI-* can be mounted in any position
- Fluid to be used: hydraulic oil in compliance with DIN 51524 rules, viscosity between 30 and 100 mm²/s (cSt) at 40°C
- Recommended filtration: 25µ
- Hydraulic fluid temperature: from -20° to +75°C

Ordering code

