

# CARTRIDGE CHECK VALVE



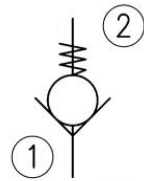
## Characteristics

TYPE	SIZE	MAX. FLOW	MAX. PRESSURE	CRACKING PRESSURE	LOCKING TORQUE	WEIGHT
IRC-14	1/4" Bsp	20 l./min.	350 bar	0.5 bar	6 Nm	0.005 Kg
IRC-38	3/8" Bsp	50 l./min.	350 bar	0.5 bar	6 Nm	0.011 Kg
IRC-12	1/2" Bsp	80 l./min.	350 bar	0.5 bar	10 Nm	0.019 Kg
IRC-34	3/4" Bsp	120 l./min.	350 bar	0.5 bar	15 Nm	0.040 Kg

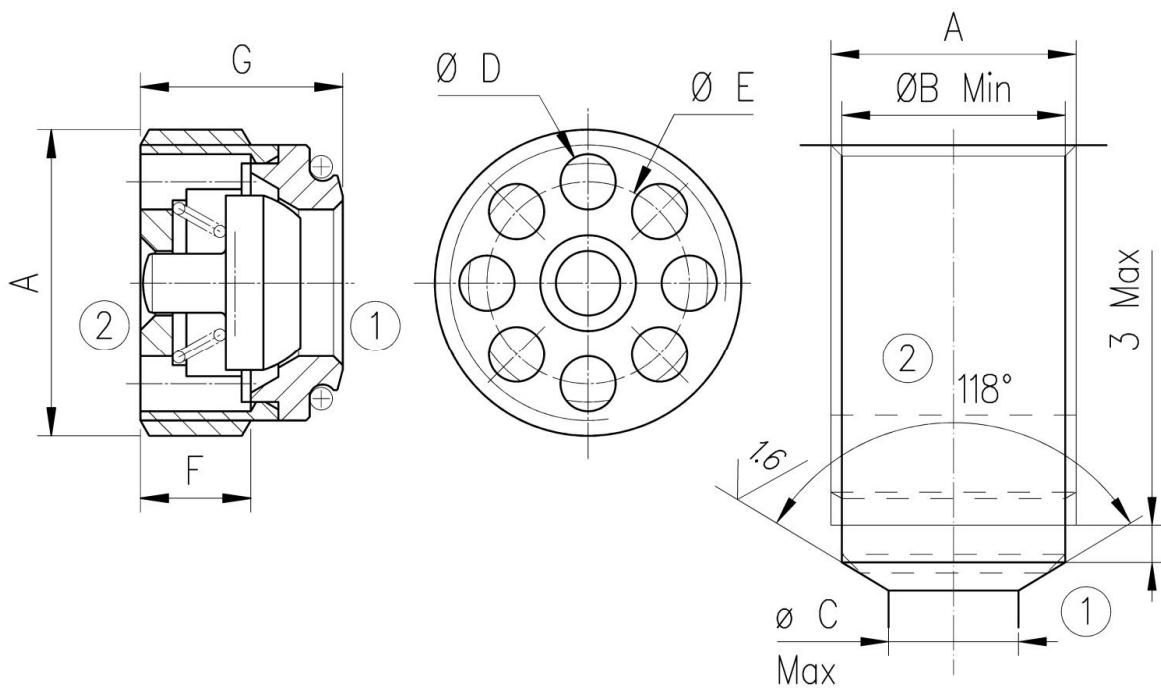
## Description

The valves type IRC are screw-in, direct-acting, poppet-type, in-line check valves. They have a compact shape which makes them suitable for use in manifolds. They allow oil passage from "1" to "2" and stop it in the opposite direction. The poppet and seat are hardened and ground to guarantee seal and service life. External surfaces are oxide burnished to increase the protection degree to corrosion. All the valves parts are made in high strength alloy steel. Cavity is gas (Bsp). Main use is as blocking or pressure holding device.

## Symbol



## Valve cavity



## Dimension

TYPE	A	B	C	D	E	F	G
IRC-14	1/4" Bsp	11.6	7	2.2	8.4	4.4	8.5
IRC-38	3/8" Bsp	15.1	9	3	11.1	6	11.3
IRC-12	1/2" Bsp	18.8	12	3.8	13.5	6.5	12.7
IRC-34	3/4" Bsp	24.3	18	5	16.5	7.6	14.8

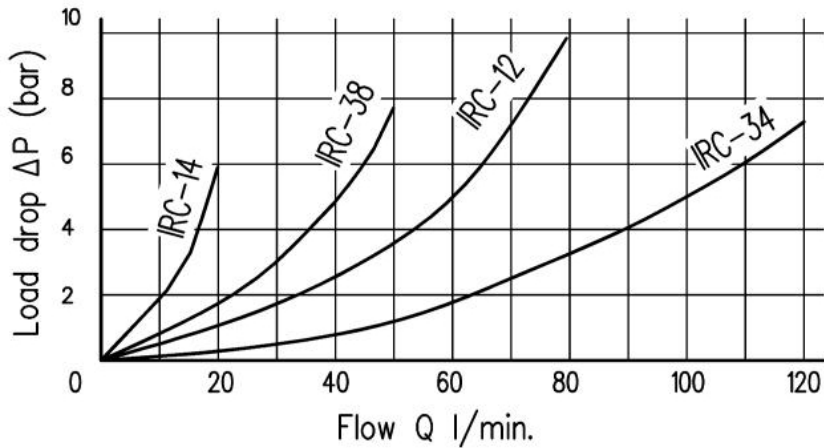
# CARTRIDGE CHECK VALVE



## Installation rules

- Installation : no orientation restrictions
- Fluid to be used: hydraulic oil in compliance with DIN 51524 rules, viscosity between 30 and 100 mm<sup>2</sup>/s (cSt) at 40°C
- Recommended filtration: 25μ
- Hydraulic fluid temperature: from -30° to +110°C

## Grafico

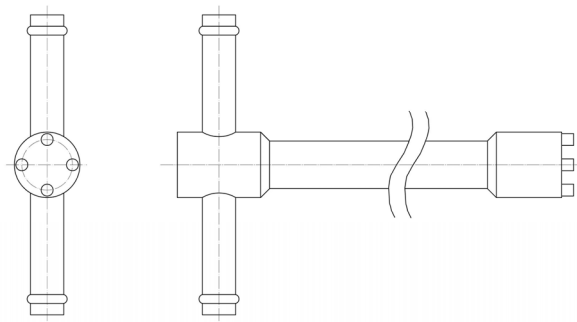


## Ordering code

IRC - \*

Size : 18=1/8"BSP 14=1/4"BSP 38=3/8"BSP 12=1/2"BSP 34=3/4"BSP

Cartridge check valve ( Cracking pressure: 0,5 Bar)



## Installation tool ordering code

IK - \*

Size : 001=1/4" BSP 002 =3/8" BSP 003 = 1/2" BSP 005 = 3/4" BSP

Installation tool