

CETOP-05 SIZE PRESSURE MODULAR FILTER



Characteristics

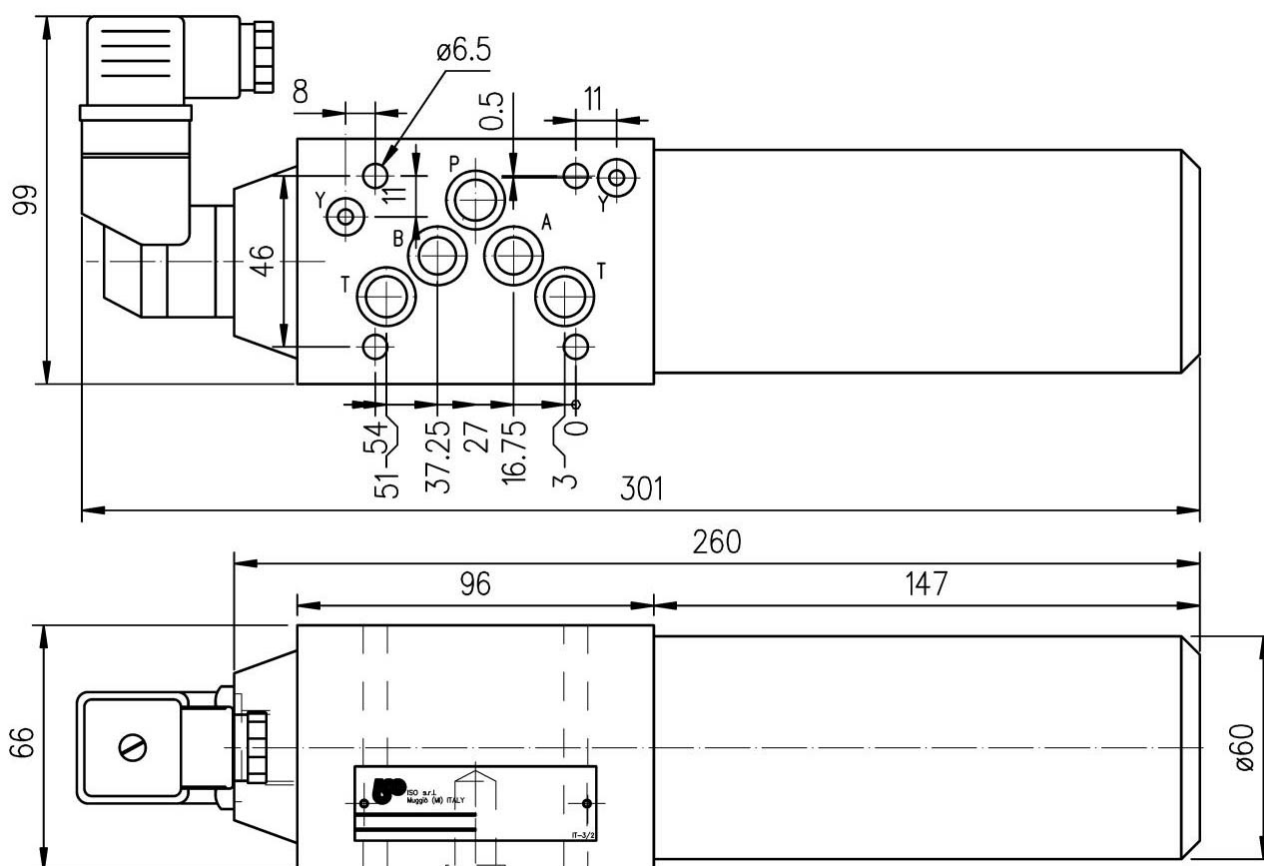
TYPE	MAX WORKING PRESSURE	MAX TEST PRESSURE	WEIGHT
FMP-05	315 bar	400 bar	4,2 Kg.

Description

FMP-05 modular pressure filter with Cetop-05 size connections guarantees the P port correct filtering. This filter provides an effective protection of proportional valves and of all components requiring a special filtering for proper functioning.

The FMP-05 filter can be equipped with visual or electrical indicator, having the function to actuate an electric contact when the max clogging degree is reached.

Dimensions



Filtering elements

TYPE		Flow (l/min)			Tests performed with oil viscosity of 30(cSt) and density 0.86 Kg/dm ³
Cartridge	Code	Δp 0.5 bar	Δp 1 bar	Δp 1.5 bar	
10 μ	CMP-05/10	25	50	75	
25 μ	CMP-05/25	40	68	90	

Filter media	Filter element collapse pressure
10 μ Inorganic microfiber	Δp 21 bar
25 μ Inorganic microfiber	Δp 21 bar



Clogging indicators

<p>Visual-Electrical indicator</p> <p>Electrical protection</p> <p>Connection plug</p> <p>Code</p>	<p>Δp 8 bar</p> <p>IP 65</p> <p>DIN 40050</p> <p>DIN 43650</p> <p>008-0038-2</p>	
<p>Contacts in exchange</p> <p>C.A. 125-250V. Max resistive or inductive load = 5A.</p> <p>C.C. 15-30-50-125V. Max load: resistive = 10-5-1-0.5A. inductive = 10-5-1-0.6A.</p>		
<p>Visual Indicator</p> <p>Setting $\Delta 8$ bar ($\pm 10\%$)</p> <p>Code 008-0036-2</p>		

Installation rules

- The filters type FMP-05 can be mounted in any position
- Fluid to be used: hydraulic oil in compliance with DIN 51524 rules, viscosity between 30 and 100 mm²/s (cSt) at 40°C
- Standard filtration cartridges: 10 ÷ 25µ
- Hydraulic fluid temperature: from -20° to +75°C

Ordering code

FMP-05 / ** - *	
0 = plug	V = visual indicator E = electrical indicator
Filtering degree : 10 = 10 Inorganic microfiber 25 = 25 Inorganic microfiber	
CETOP 05 modular filter	