

SCREW MOUNTING, 2 WAY, NORMALLY CLOSED, ELECTRICALLY OPERATED, CARTRIDGE CHECK VALVES



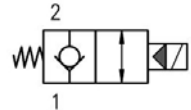
Characteristics

| TYPE | NOMINAL FLOW | MAX WORKING PRESSURE | STANDARD VOLTAGE | WEIGHT |
|---------|--------------|----------------------|------------------|--------|
| IC-1593 | 150 lt./min. | Max. 450 Bar | DC 12-24-110 RAC | 0.4 Kg |

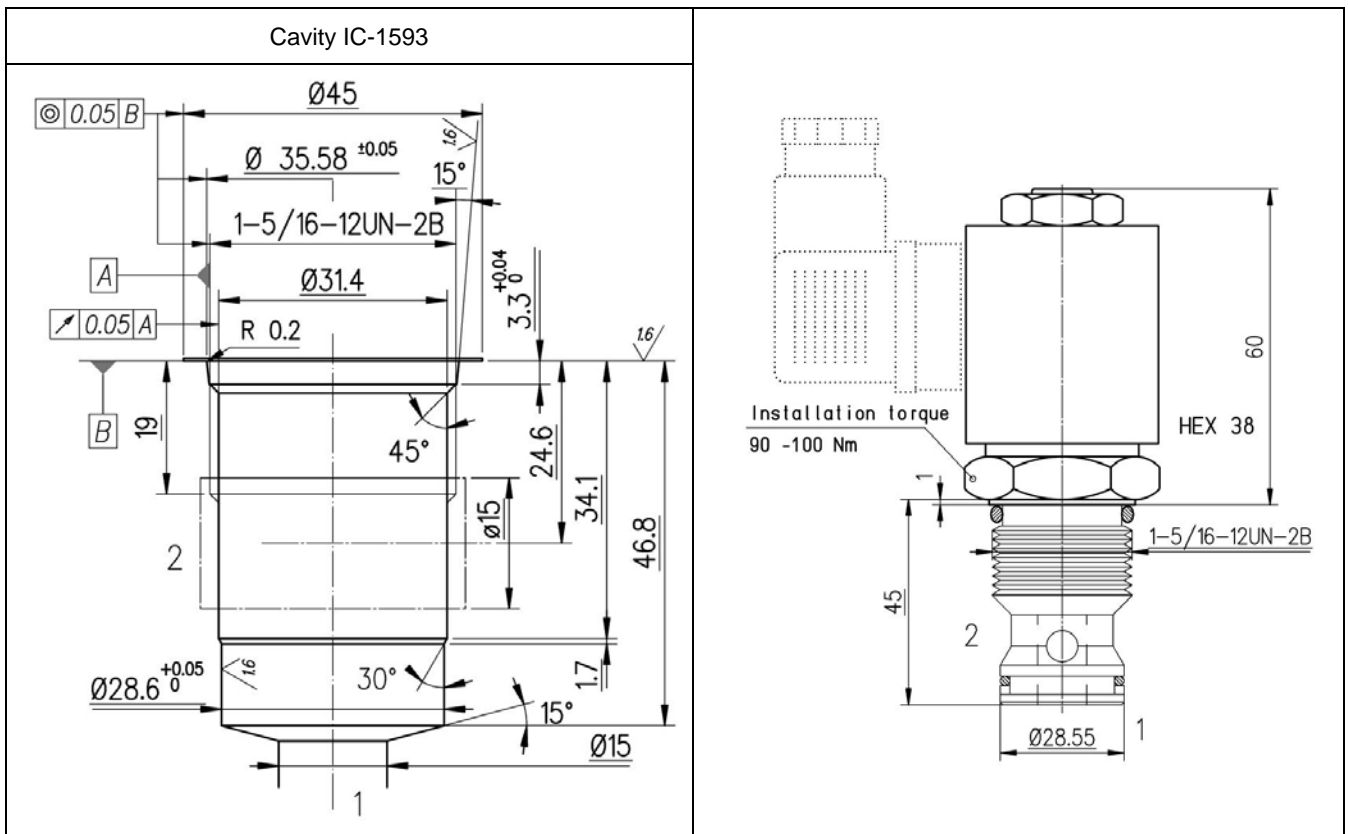
Description

Unidirectional, electrically operated, check valve. They allow perfect seal in one way and allow oil passage in the opposite one when electric solenoid is energized. ON-OFF electric control.

Symbol



Dimensions



Installation rules

- Installation: no orientations restrictions
- Fluid to be used: hydraulic oil in compliance with DIN 51524, viscosity between 30 and 100 mm²/s (cSt) at 40°C
- Recommended filtration: 25 micron
- Fluid temperature: from -20° to +80°C
- Range of tolerance on feeding voltage: -10% +5%

Ordering code

IC-1593

Screw mounting, 2 way, normally closed, electric controlled check cartridge

Diagram

