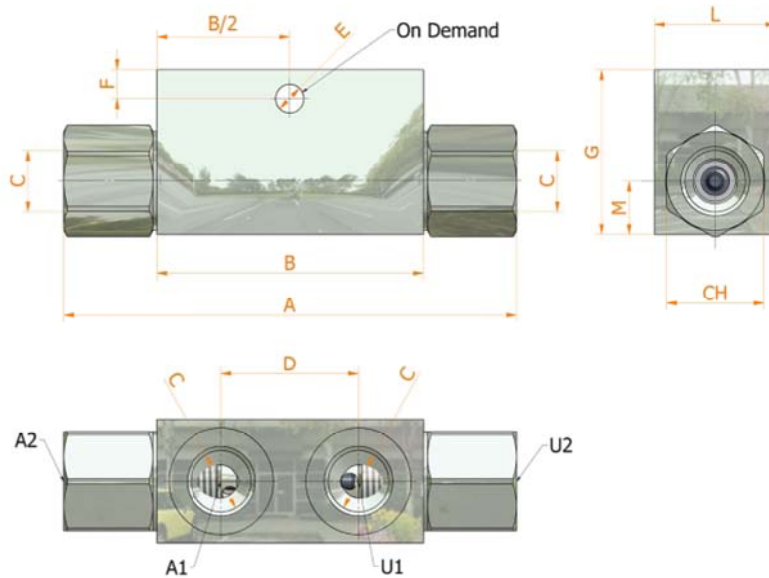
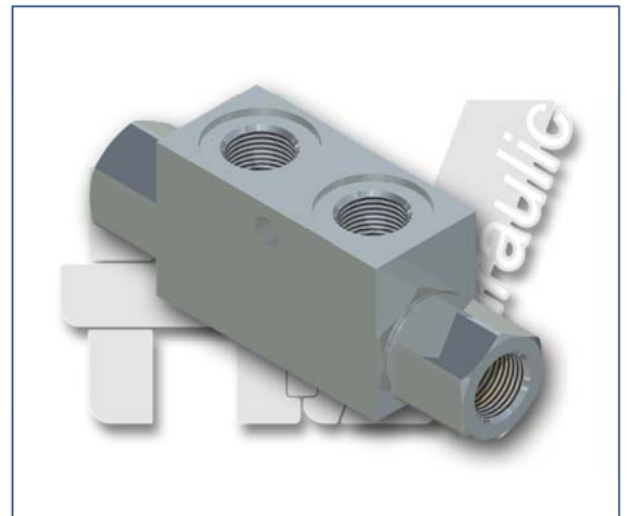
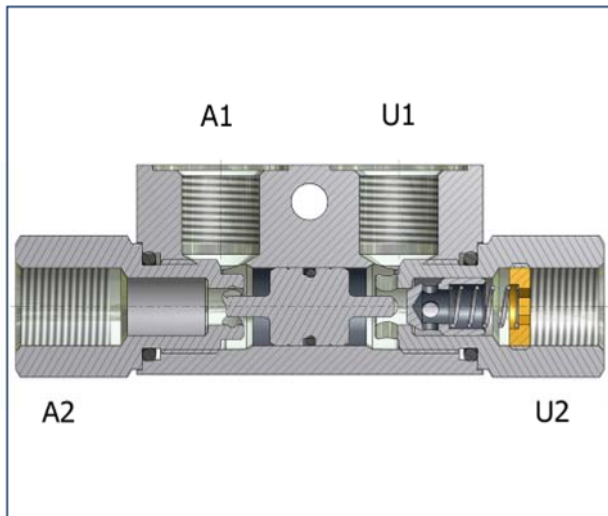
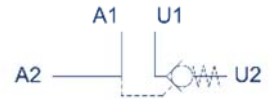




VBSE

inline single acting
pilot operated
check valve



Specifications:

- Zinc plated steel body
- Heat treated components

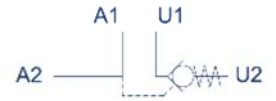
Upon demand:

- Spring 0,5 bar
- Spring 8 bar



VBSE

inline single acting
pilot operated
check valve



SPECIFICATIONS

DIMENSIONS	005	010	015	020	25	30	40		
MAX. PRESSURE BAR	350	350	350	350	300	300	300		
RATED FLOW lt/min	15	20	20	50	50	80	120		
PILOT RATIO	1: 4,5	1: 4,5	1: 4,5	1: 4,5	1: 4,5	1: 4	1: 4		
OPENING PRESSURE BAR	4	4	4	4	4	4	4		

WEIGHT AND DIMENSIONS

DIMENSIONS	A	B	C GAS	C NPT	C SAE	D	E	F	G	L	M	CH	WEIGHT KG
005	112	66	-	-	7/16 - 20	34	7,0	7,0	40	30	13	24	0,70
010	112	66	1/4	1/4	-	34	7,0	7,0	40	30	13	24	0,69
015	112	66	3/8	3/8	9/16 - 18	34	7,0	7,0	40	30	13	24	0,65
020	133	76	3/8	3/8	3/4 - 16	40	8,5	15,0	50	30	16	27	0,95
025	137	76	1/2	1/2	7/8 - 14	40	8,5	15,0	50	30	16	27	0,90
030	150	77	1/2	1/2	7/8 - 14	40	8,5	15,0	60	40	20	30	1,50
040	205	105	3/4	3/4	11/16 - 12	40	8,5	15,0	70	50	22	36	3,06

ITEM CODE

