

# SUBLATE-MOUNTED CHECK VALVE



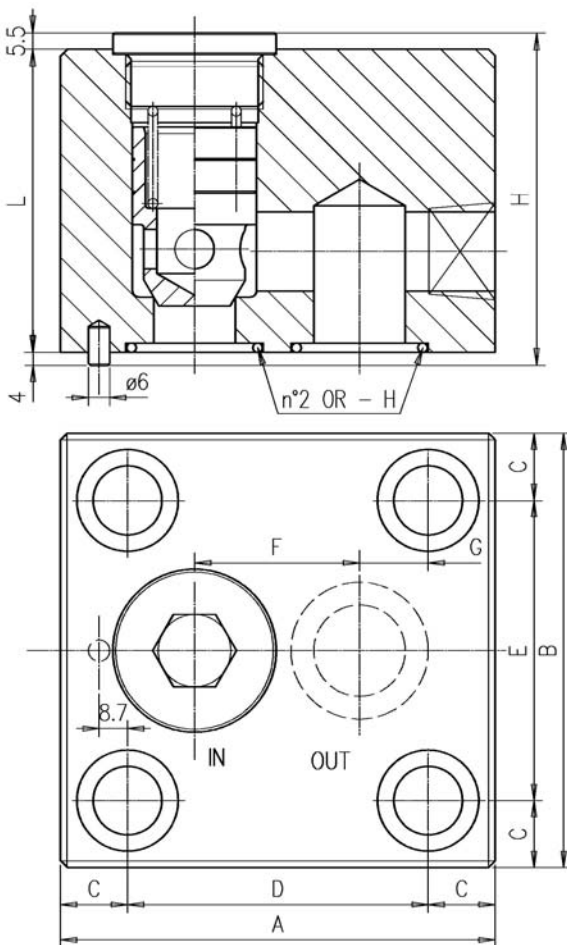
## Characteristics

TYPE	MAX FLOW	MAX PRESSURE	FIXING SYSTEM
IRP-100/*	120 l/min.	250 bar	N°4 screws TCEI M16x90
IRP-114/*	300 l/min.	250 bar	N°4 screws TCEI M20x110

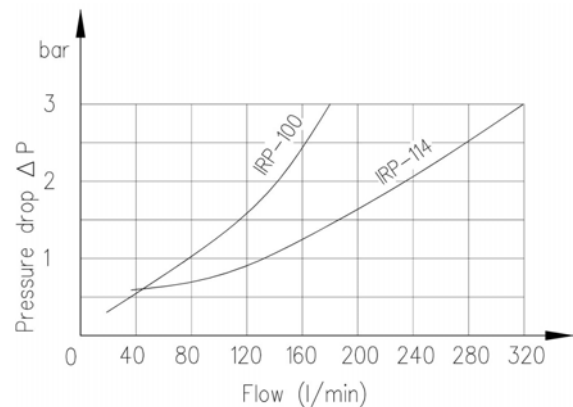
## Description

Check valve. They allow the free flow in one direction and block it in the opposite one. They are designed for sub-plate mounting with connection surface in compliance with standard rules. They can be supplied with adjusted springs to obtain different opening pressures.

## Dimensions



## Diagram



## Symbol



## Opening pressure

IRP- *	0.5 bar
IRP- */2	2 bar
IRP- */4	4 bar
IRP- */8	8 bar

TYPE	A	B	C	D	E	F	G	H	I	L
IRP-100/*	116	100	17.5	81	65	46.1	12.7	4125	89.5	80
IRP-114/*	133	133	20.5	92	92	50.5	21	4137	102.5	93

## Installation rules

- The valves type IRP can be mounted in any position
- Fluid to be used: hydraulic oil in compliance with DIN 51524 rules, viscosity between 30 and 100 mm<sup>2</sup>/s (cSt) at 40°C
- Recommended filtration: 25µ
- Hydraulic fluid temperature: from -20° to +75°C

## Ordering code

