

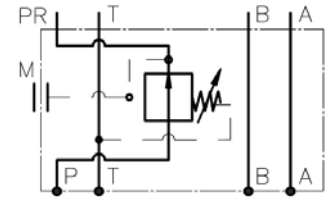
CETOP-03 SIZE MODULAR PRESSURE REDUCING VALVE



Characteristics

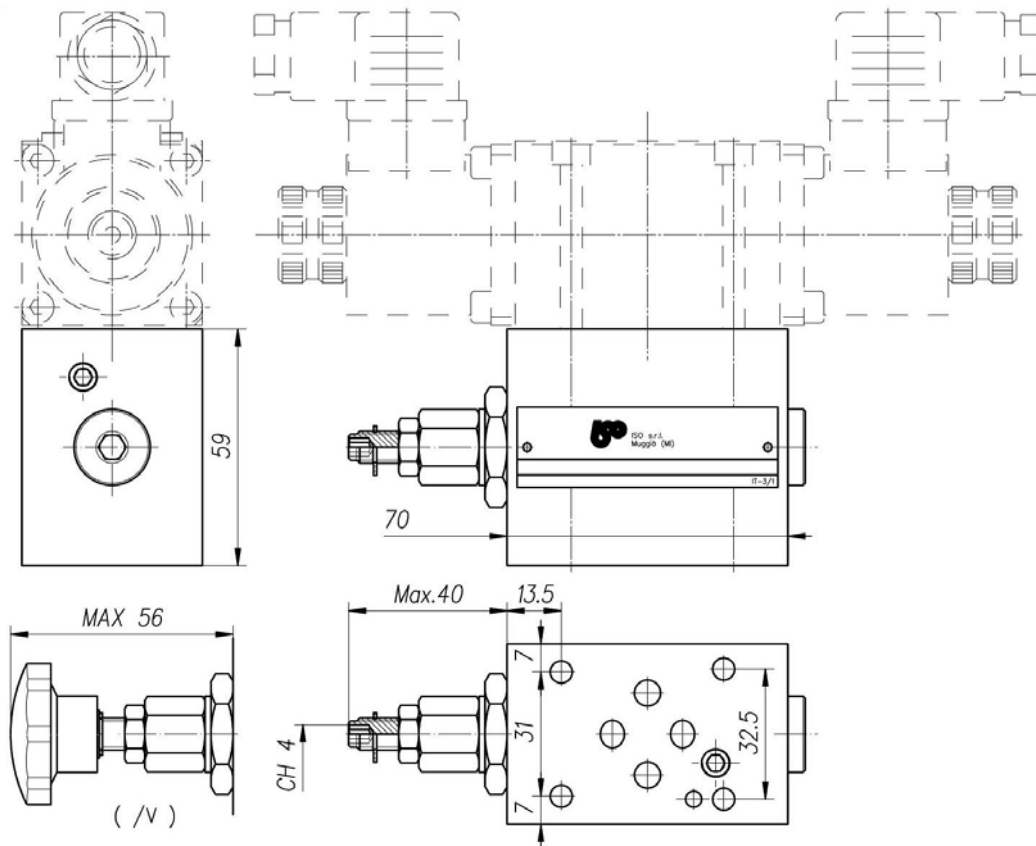
Symbol

TYPE	MAX FLOW	MAX PRESSURE	REDUCED MAXIMUM PRESSURE	WEIGHT
IRG-03/P	40 l/min.	315 bar	210 bar	Kg. 0.8



Description Cetop-03 size, two-way, pilot-operated, modular, pressure reducing valve.
The reduced pressure setting is achieved by regulating the adjusting handle (clockwise it increases).

Dimensions

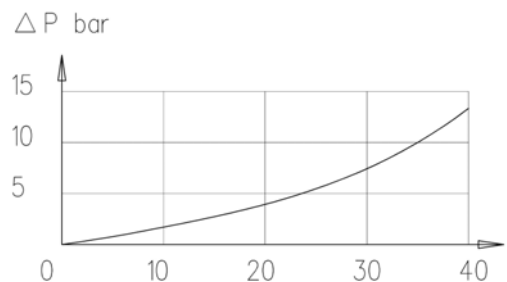


Installation rules

Diagram

- The valves type IRG can be mounted in any position
- Fluid to be used: hydraulic oil in compliance with DIN 51524 rules, viscosity between 30 and 100 mm²/s (cSt) at 40°C
- Recommended filtration: 25µ
- Hydraulic fluid temperature: from -20° to +75°C

Load drop



Ordering code

IRG-03/P	***	*
	V = with handwheel (otherwise omit it)	
	Setting range: 140=4-140 bar 210=7-210 bar	
CETOP-03 size modular pressure reducing valve		