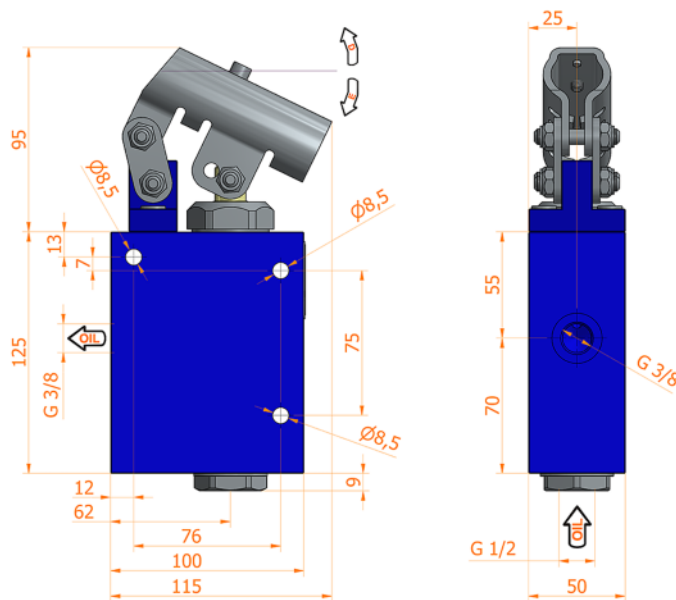
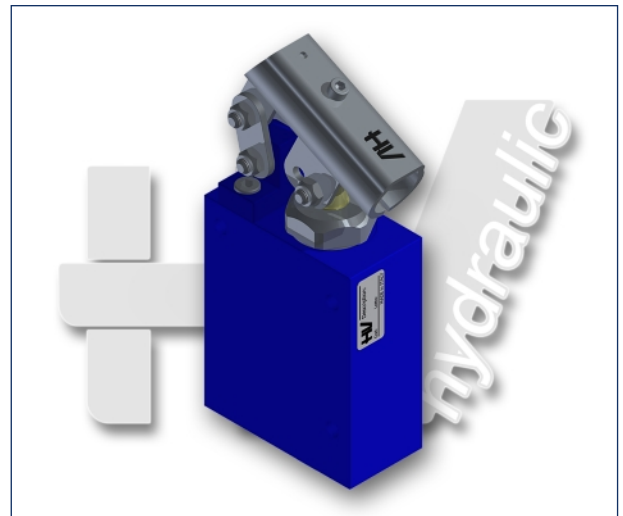
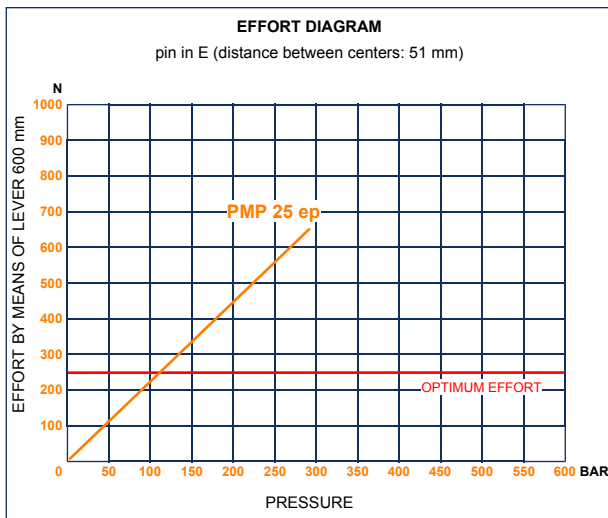




# PMP 25 ep

without release hand knob  
 double acting hand pump for a single acting cylinder  
 for fixing to a wall



**Specifications:**

- Anticorodal aluminium body
- Niploy coated piston
- White zinc plated support lever
- Lever connection Ø 27
- White zinc plated external parts

| DISPLACEMENT<br>cm <sup>3</sup> | A<br>mm | B<br>mm | C<br>mm | D<br>° | E<br>° | ACTUAL<br>DISPLACEMENT<br>cm <sup>3</sup> | PRESSURE BAR |     | MASS<br>KG | CODE<br>WITHOUT<br>BELLOWS | CODE<br>WITH<br>BELLOWS |
|---------------------------------|---------|---------|---------|--------|--------|---|--------------|-----|------------|----------------------------|-------------------------|
|                                 |         |         |         |        |        |   | OPTIMAL      | MAX |            |                            |                         |
| 25                              | --      | --      | --      | 31     | 26     | 24,040                                    | 100          | 300 | 2,630      | 6075.0103                  | --                      |
|                                 |         |         |         |        |        |   |              |     |            |                            |                         |
|                                 |         |         |         |        |        |   |              |     |            |                            |                         |
|                                 |         |         |         |        |        |   |              |     |            |                            |                         |
|                                 |         |         |         |        |        |   |              |     |            |                            |                         |