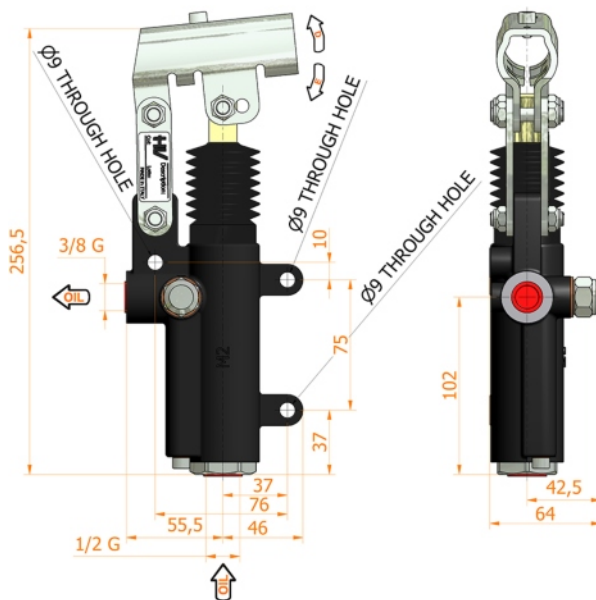
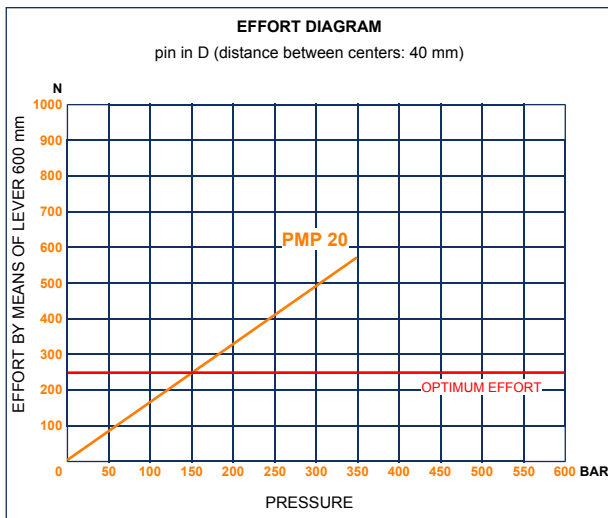
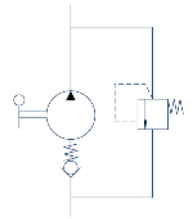




PMP 20 byB-e-s

without release hand knob
with pressure relief valve
double acting hand pump for single acting cylinder
for fixing to wall



Specifications:

- Cast iron body
- Piston treated with Niploy
- White zinc plated support lever
- Lever connection $\varnothing 27$
- White zinc plated external parts
- Standard colour black
- Pressure relief valve standard setting: 100 bar

DISPLACEMENT cm ³	A mm	B mm	C mm	D °	E °	ACTUAL DISPLACEMENT cm ³	PRESSURE BAR		MASS KG	CODE WITHOUT BELLOWS	CODE WITH BELLOWS
							OPTIMAL	MAX			
20	--	--	--	32	30	20,090	150	350	2,650	6074.0058	6074.0063