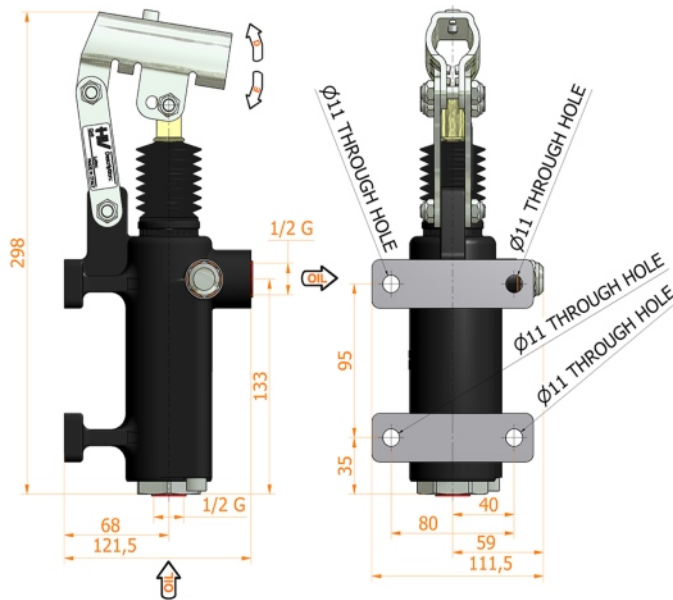
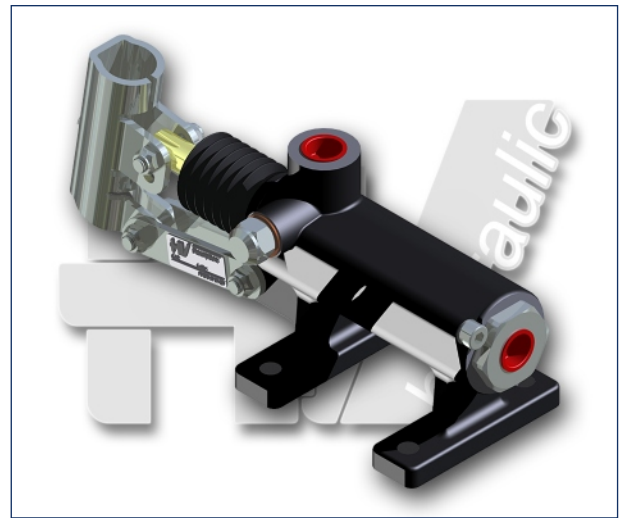
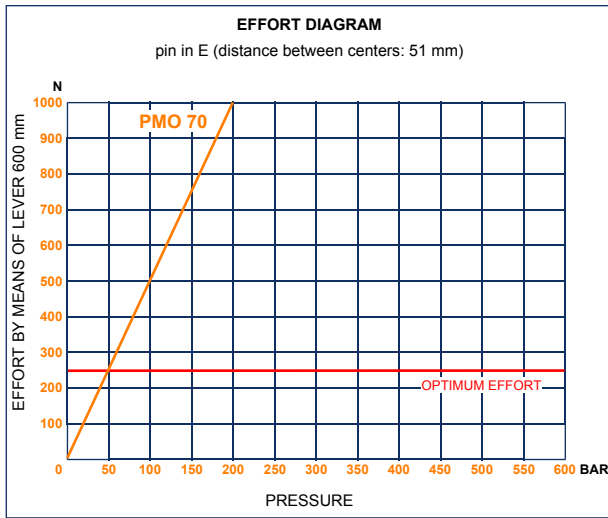
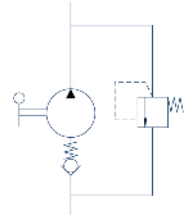




# PMO 70 byB-e-s

without release hand knob  
with pressure relief valve  
double acting hand pump for single acting cylinder  
for fixing to wall



- Specifications:**
- Cast iron body
  - Piston treated with Niploy
  - White zinc plated support lever
  - Lever connection Ø 27
  - White zinc plated external parts
  - Standard colour black
  - Pressure relief valve standard setting: 100 bar

DISPLACEMENT cm <sup>3</sup>	A mm	B mm	C mm	D °	E °	ACTUAL DISPLACEMENT cm <sup>3</sup>	PRESSURE BAR		MASS KG	CODE WITHOUT BELLOWS	CODE WITH BELLOWS
							OPTIMAL	MAX			
70	--	--	--	45	40	70,233	50	200	5,100	6079.0009	6079.0036