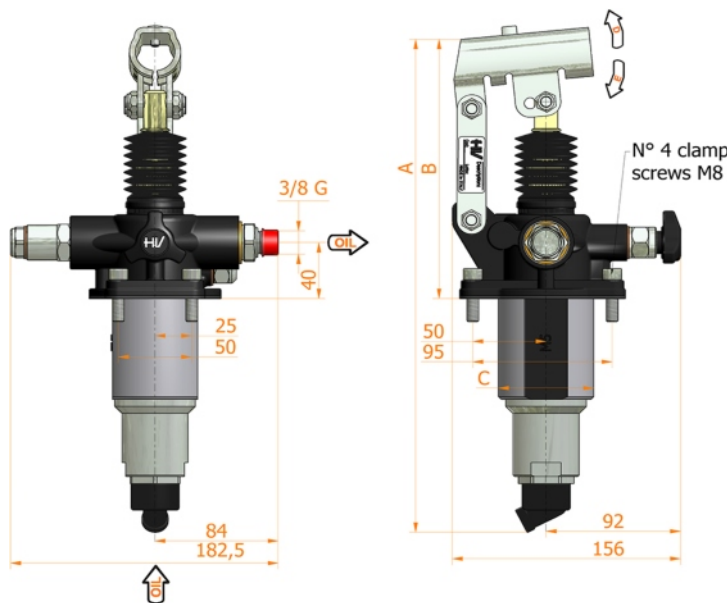
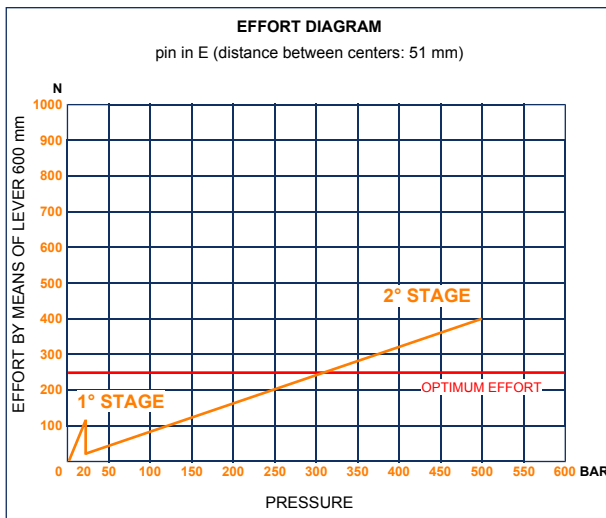
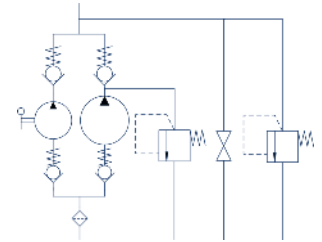




## PM2V 5/80 a-byB-s

with release hand knob  
 with automatic control for the 1st speed  
 with pressure relief valve  
 two speed hand pump for a single acting cylinder  
 for fixing to tank



### Specifications:

- Cast iron body
- Piston treated with Niploy
- White zinc plated support lever
- Lever connection Ø 27
- White zinc plated external parts
- Standard colour black
- Oil tank mounting kit included
- Pressure relief valve standard setting: 400 bar

DISPLACEMENT cm <sup>3</sup>	A mm	B mm	C mm	D °	E °	DISPLACEMENT cm <sup>3</sup>		PRESSURE BAR		MASS KG	CODE WITHOUT BELLOWS	CODE WITH BELLOWS
						STAGE 1	STAGE 2	STAGE 1	STAGE 2			
5-80	354	185	65	30	32	80,588	5,036	20	500	6,200	6071.0107	6071.0134