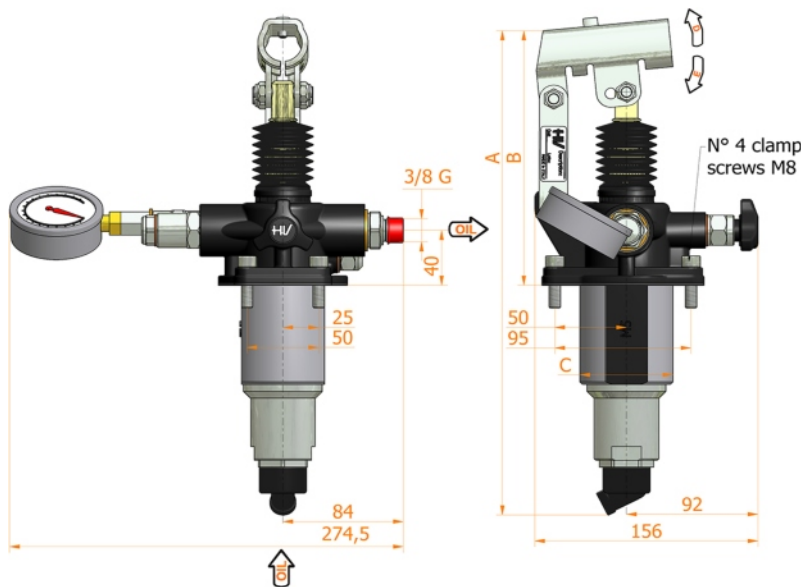
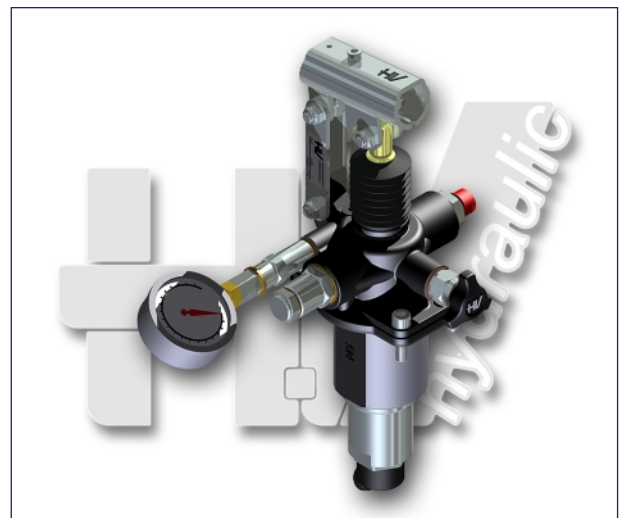
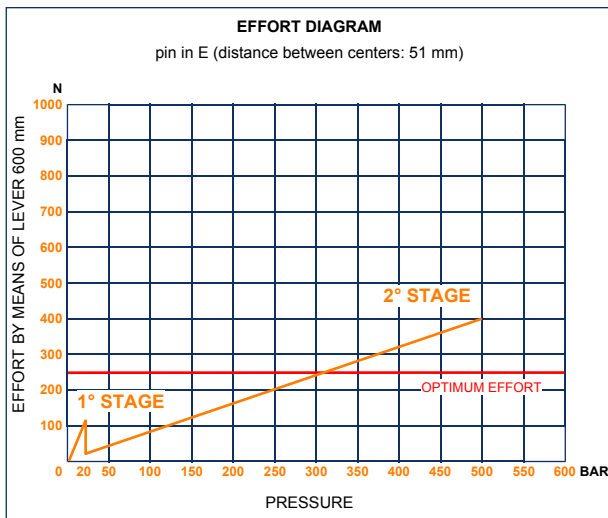
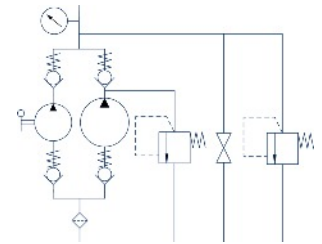




PM2V 5/80 a-byB-M-s

with release hand knob
 with automatic control for the 1st speed
 with pressure relief valve and pressure-gauge
 two speed hand pump for a single acting cylinder
 for fixing to tank



- Specifications:**
- Cast iron body
 - Piston treated with Niploy
 - White zinc plated support lever
 - Lever connection Ø 27
 - White zinc plated external parts
 - Standard colour black
 - Oil tank mounting kit included
 - Pressure relief valve standard setting: 400 bar

DISPLACEMENT cm ³	A mm	B mm	C mm	D °	E °	DISPLACEMENT cm ³		PRESSURE BAR		MASS KG	CODE WITHOUT BELLOWS	CODE WITH BELLOWS
						STAGE 1	STAGE 2	STAGE 1	STAGE 2			
5-80	354	185	65	30	32	80,588	5,036	20	500	6,200	6071.0111	6071.0138