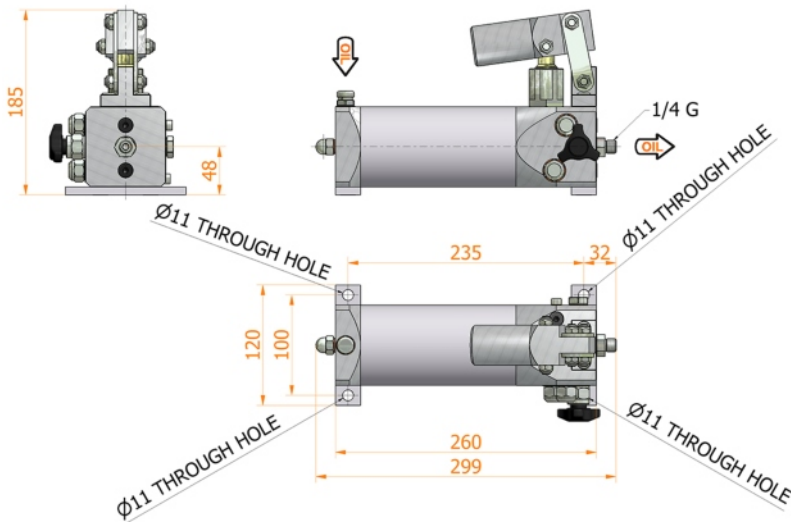
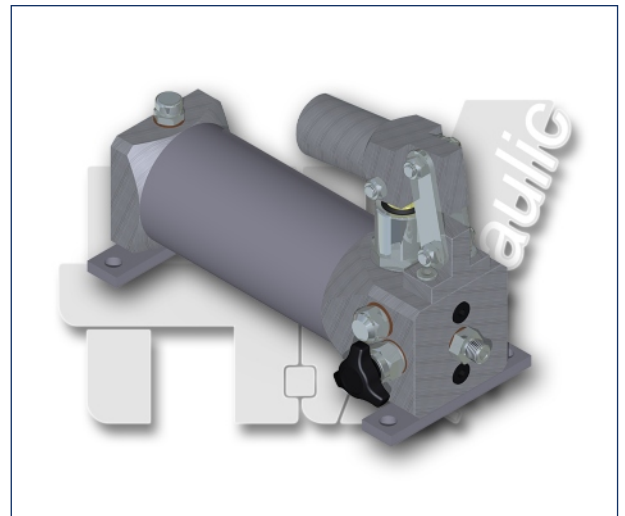
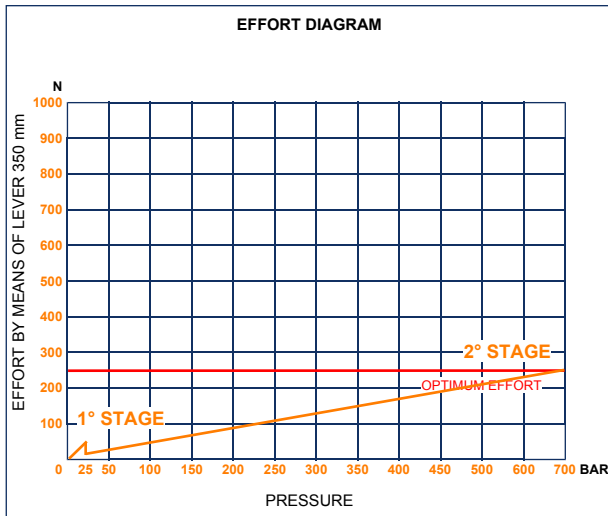
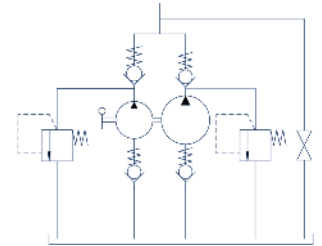




PM2V 2/10 a

with release hand knob
 with automatic control for 1st step
 with pressure relief valve
 with pressure-gauge prearrangement
 double speed hand pump for single acting cylinder
 tank lt. 0,6



Specifications:

- Aluminium Ergal body
- Piston treated with Niploy
- Aluminium Ergal support lever
- Lever connection Ø 20
- White zinc plated external parts
- Pressure relief valve standard setting: 500 bar
- With pressure-gauge prearrangement, connection: 1/4 G

DISPLACEMENT cm ³	A mm	B mm	C mm	D °	E °	DISPLACEMENT cm ³		PRESSURE BAR		MASS KG	CODE WITHOUT BELLOWS	CODE WITH BELLOWS
						STAGE 1	STAGE 2	STAGE 1	STAGE 2			
2-10	--	--	--	--	--	7,284	1,004	25	700	3,800	6072.0000	--