

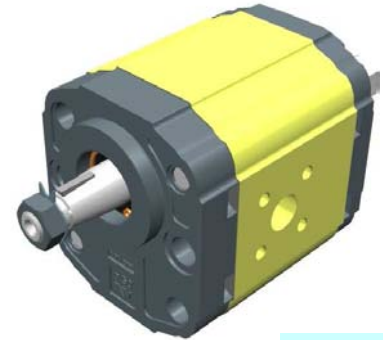
unidirectional motor - series XV

XV-2U

HY TYPE MOTOR
 ø50 BODY-SHAPED FLANGE - TAPER SHAFT

X 2 U 51 22 F S R A

Series	X	series XV
Group	2	group 2
Category	U	unidirectional motor
Displacement	51	17
Flange	22	Ø50 HY GERMAN STANDARDIZED right rotation
Shaft	F	CO002 - Tapered 1:5 - ø17.4 - M12x1.5 - key thk.3
Body	IN	inlet - Ø40 a 45° Ø20 M6
	OUT	outlet - Ø35 a 45° Ø15 M6
Cover	A	standard



XU213

Technical data table

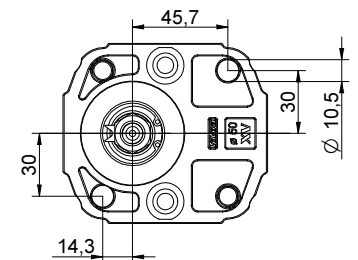
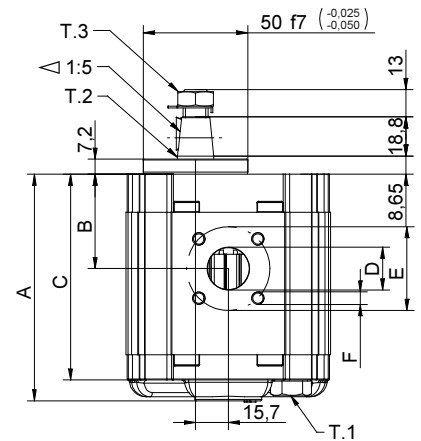
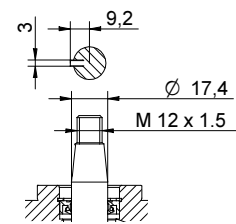
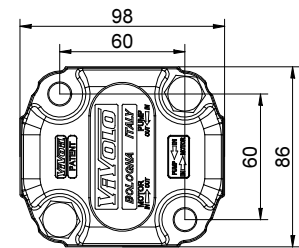
TYPE	Displacement cm3/rev	Max. Pressure		CODE																	
		P1 bar	P3 bar	Left rotation				Right rotation													
				IN	OUT	IN	OUT	IN	OUT	IN	OUT										
XV-2U/04	4,20	260	300	X	2	U	41	21	F	S	R	A	X	2	U	41	22	F	S	R	A
XV-2U/06	6,00	260	300	X	2	U	43	21	F	S	R	A	X	2	U	43	22	F	S	R	A
XV-2U/09	8,40	260	300	X	2	U	45	21	F	S	R	A	X	2	U	45	22	F	S	R	A
XV-2U/11	10,80	260	300	X	2	U	47	21	F	S	R	A	X	2	U	47	22	F	S	R	A
XV-2U/14	14,40	250	290	X	2	U	49	21	F	S	R	A	X	2	U	49	22	F	S	R	A
XV-2U/17	16,80	230	270	X	2	U	51	21	F	S	R	A	X	2	U	51	22	F	S	R	A
XV-2U/19	19,20	210	250	X	2	U	53	21	F	S	R	A	X	2	U	53	22	F	S	R	A
XV-2U/22	22,80	200	240	X	2	U	55	21	F	S	R	A	X	2	U	55	22	F	S	R	A
XV-2U/26	26,20	170	210	X	2	U	57	21	F	S	R	A	X	2	U	57	22	F	S	R	A
XV-2U/30	30,00	160	200	X	2	U	59	21	F	S	S	A	X	2	U	59	22	F	S	S	A
XV-2U/34	34,20	150	190	X	2	U	61	21	F	S	S	A	X	2	U	61	22	F	S	S	A
XV-2U/40	39,60	140	180	X	2	U	63	21	F	S	S	A	X	2	U	63	22	F	S	S	A

P1) Max. working pressure - P3) Max. peak pressure

For heavy-duty applications, it is recommended to check the admissible torque of the shaft

Dimensions table

TYPE	Weight kg	Dimensions											
		A		B		C		D		E		F	
		mm	mm	mm	mm	mm	mm	mm	mm	mm	mm	mm	
XV-2U/04	2,100	87,2	38,6	77,2	ø15	35	M6x1	ø20	40	M6x1			
XV-2U/06	2,200	90,2	38,6	80,2	ø15	35	M6x1	ø20	40	M6x2			
XV-2U/09	2,300	94,2	40,6	84,2	ø15	35	M6x1	ø20	40	M6x3			
XV-2U/11	2,400	98,2	45,0	88,2	ø15	35	M6x1	ø20	40	M6x4			
XV-2U/14	2,600	104,2	45,0	94,2	ø15	35	M6x1	ø20	40	M6x5			
XV-2U/17	2,700	108,2	45,0	98,2	ø15	35	M6x1	ø20	40	M6x6			
XV-2U/19	2,800	112,2	45,0	102,2	ø15	35	M6x1	ø20	40	M6x7			
XV-2U/22	2,950	118,2	52,5	108,2	ø15	35	M6x1	ø20	40	M6x8			
XV-2U/26	3,050	122,2	52,5	112,2	ø15	35	M6x1	ø20	40	M6x9			
XV-2U/30	3,300	130,2	60,7	120,2	ø20	40	M6x1	ø20	40	M6x10			
XV-2U/34	3,500	137,2	60,7	127,2	ø20	40	M6x1	ø20	40	M6x11			
XV-2U/40	3,700	146,2	60,7	136,2	ø20	40	M6x1	ø20	40	M6x12			



26/08/04 XZPS12ZF58A.dft

T.1 = 54÷58.9 [Nm] - screw tightening torque M10

T.3 = 40 [Nm] - torque wrench setting 19

T.2 = 233.2 [Nm] - admissible shaft torque (N.B. When choosing a shaft, always check the admissible torque).

Table of variations

XV-2U

ø50 "HY" Body-Shaped FLANGE

ø50 "HY" Body-Shaped FLANGE				Shaft				Cover			
Left rotation		Right rotation		Left rotation		Right rotation		Left rotation		Right rotation	
	21		22	CI001 - Parallel T.2 = 44.1 [Nm] 	A	CI002 - Parallel T.2 = 67.5 [Nm] 	B				A
	23		24	CO001 - Tapered T.2 = 233.2 [Nm] 	E	CO002 - Tapered T.2 = 233.2 [Nm] 	F				B
	25		26	SCF03 - Splined T.2 = 86.1 [Nm] m=1.6 Z=9 DIN 5482 - 17x14 	H						C
	27		28								D

Displacement	
TYPE	CODE
XV-2U/04	41
XV-2U/06	43
XV-2U/09	45
XV-2U/11	47
XV-2U/14	49
XV-2U/17	51
XV-2U/19	53
XV-2U/22	55
XV-2U/26	57
XV-2U/30	59
XV-2U/34	61
XV-2U/40	63

Displacement cm3/rev	Standard bodies					
	Standard threads					
4	O - O	S - R	B - B	L - M	Z - Z	
6	O - O	S - R	B - B	L - M	Z - Z	
9	O - O	S - R	B - B	L - M	Z - Z	
11	O - O	S - R	B - B	L - M	Z - Z	
14	P - O	S - R	C - B	L - M	Z - Z	
17	P - O	S - R	C - B	L - M	Z - Z	
19	P - O	S - R	C - B	L - M	Z - Z	
22	P - O	S - R	C - B	L - M	Z - Z	
26	Q - P	S - R	D - C	L - M	Z - Z	
30	Q - P	S - S	D - C	L - M	Z - Z	
34	Q - P	S - S	D - C	L - M	Z - Z	
40	Q - P	S - S	D - C	L - M	Z - Z	

Table showing standard flange and thread combinations available in stock

			N
			O

Body (threads/flanges)													
	A		B		C		D		E		F		G
	H		I		L		M		N		O		P
	Q		R		S		T		U		V	Closed Body	Z