

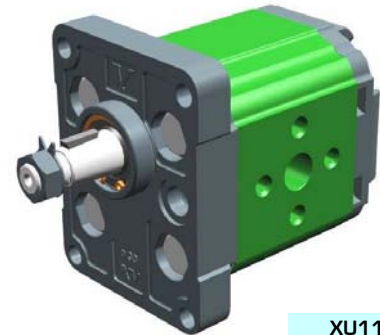
unidirectional motor - series XV

XV-1U

STANDARD MOTOR
ø30 FLANGE - TAPER SHAFT

X 1 U 25 12 G I I A

Series	X	series XV
Group	1	group 1
Category	U	unidirectional motor
Displacement	25	3.8
Flange	12	Ø30 STANDARD right rotation
Shaft	G	CO002 - Tapered 1:8 - ø14 - M10x1 - key thk.3
Body	IN	inlet - Ø30 Ø12 M6
	OUT	outlet - Ø30 Ø12 M6
Cover	A	standard



XU113

Technical data table

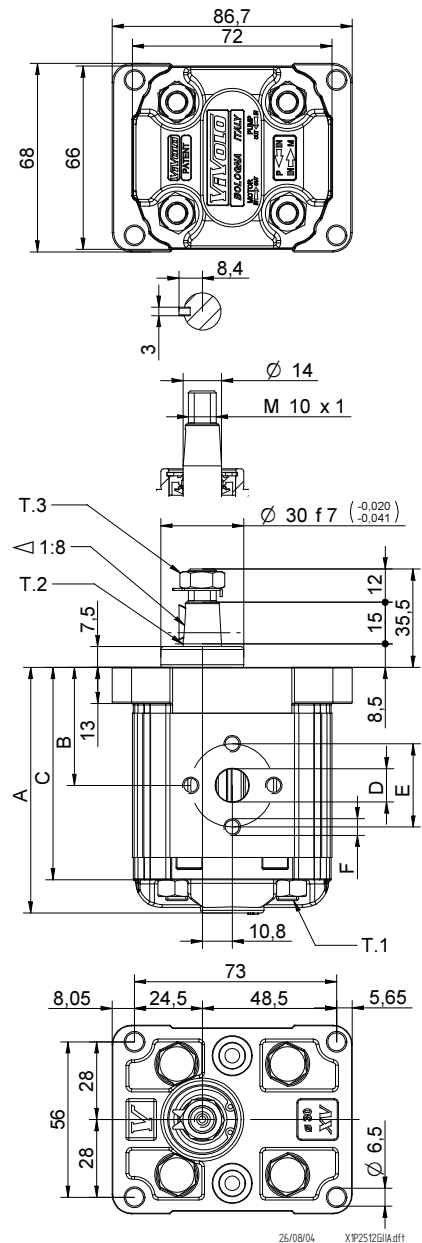
TYPE	Displacement cm3/rev	Max. Pressure		CODE	
		P1 bar	P3 bar	Left rotation	Right rotation
XV-1U/0.9	0,91	240	280	X 1 U 16 11 G I I A	X 1 U 16 12 G I I A
XV-1U/1.2	1,17	250	290	X 1 U 17 11 G I I A	X 1 U 17 12 G I I A
XV-1U/1.7	1,56	250	290	X 1 U 18 11 G I I A	X 1 U 18 12 G I I A
XV-1U/2.2	2,08	250	290	X 1 U 20 11 G I I A	X 1 U 20 12 G I I A
XV-1U/2.6	2,60	250	300	X 1 U 21 11 G I I A	X 1 U 21 12 G I I A
XV-1U/3.2	3,12	250	300	X 1 U 23 11 G I I A	X 1 U 23 12 G I I A
XV-1U/3.8	3,64	250	300	X 1 U 25 11 G I I A	X 1 U 25 12 G I I A
XV-1U/4.3	4,16	250	300	X 1 U 27 11 G I I A	X 1 U 27 12 G I I A
XV-1U/4.9	4,94	250	300	X 1 U 29 11 G I I A	X 1 U 29 12 G I I A
XV-1U/5.9	5,85	250	300	X 1 U 31 11 G I I A	X 1 U 31 12 G I I A
XV-1U/6.5	6,50	250	300	X 1 U 32 11 G I I A	X 1 U 32 12 G I I A
XV-1U/7.8	7,54	220	260	X 1 U 34 11 G I I A	X 1 U 34 12 G I I A

P1) Max. working pressure - P3) Max. peak pressure

For heavy-duty applications, it is recommended to check the admissible torque of the shaft

Dimensions table

TYPE	Weight kg	A	B	C	D	E	F	D	E	F
		mm	mm	mm	IN	OUT	mm	mm	mm	
XV-1U/0.9	0,950	78,1	37,3	66,1	ø12	30	M6x1	ø12	30	M6x1
XV-1U/1.2	0,970	79,0	37,8	67,0	ø12	30	M6x1	ø12	30	M6x1
XV-1U/1.7	1,010	80,5	38,5	68,5	ø12	30	M6x1	ø12	30	M6x1
XV-1U/2.2	1,030	82,5	39,5	70,5	ø12	30	M6x1	ø12	30	M6x1
XV-1U/2.6	1,060	84,5	40,5	72,5	ø12	30	M6x1	ø12	30	M6x1
XV-1U/3.2	1,090	86,5	41,5	74,5	ø12	30	M6x1	ø12	30	M6x1
XV-1U/3.8	1,120	88,5	42,5	76,5	ø12	30	M6x1	ø12	30	M6x1
XV-1U/4.3	1,170	90,5	43,5	78,5	ø12	30	M6x1	ø12	30	M6x1
XV-1U/4.9	1,200	93,5	45,0	81,5	ø12	30	M6x1	ø12	30	M6x1
XV-1U/5.9	1,260	97,0	46,8	85,0	ø12	30	M6x1	ø12	30	M6x1
XV-1U/6.5	1,300	98,5	48,0	86,5	ø12	30	M6x1	ø12	30	M6x1
XV-1U/7.8	1,360	103,5	50,0	91,5	ø12	30	M6x1	ø12	30	M6x1



T.1 = 24.5÷29.4 [Nm] - screw tightening torque M8

T.3 = 13 [Nm] - torque wrench setting 17

T.2 = 119.8 [Nm] - admissible shaft torque (N.B. When choosing a shaft, always check the admissible torque).

Table of variations

XV-1U

ø30 FLANGE

ø30 FLANGE				Shaft				Cover			
Left rotation		Right rotation						Left rotation		Right rotation	
	11		12	CI001 - Parallel T.2 = 25.8 [Nm]	A	CO002 - Tapered T.2 = 119.8 [Nm]	G				A
	13		14	CI001+HK - Parallel T.2 = 25.8 [Nm]	P	CO002+HK - Tapered T.2 = 119.8 [Nm]	O				B
	15		16								C
	17		18								D

Displacement	
TYPE	CODE
XV-1U/0.9	16
XV-1U/1.2	17
XV-1U/1.7	18
XV-1U/2.2	20
XV-1U/2.6	21
XV-1U/3.2	23
XV-1U/3.8	25
XV-1U/4.3	27
XV-1U/4.9	29
XV-1U/5.9	31
XV-1U/6.5	32
XV-1U/7.8	34

Displacement cm3/rev	Standard threads						
	I - I	B - B	J - J	B - Z	Z - Z	G - F	
0.9	I - I	B - B	J - J	B - Z	Z - Z	G - F	
1.2	I - I	B - B	J - J	B - Z	Z - Z	G - F	
1.7	I - I	B - B	J - J	B - Z	Z - Z	G - F	
2.2	I - I	B - B	J - J	B - Z	Z - Z	G - F	
2.6	I - I	B - B	J - J	B - Z	Z - Z	G - F	
3.2	I - I	B - B	J - J	B - Z	Z - Z	G - F	
3.8	I - I	B - B	J - J	B - Z	Z - Z	G - F	
4.3	I - I	B - B	J - J	B - Z	Z - Z	G - F	
4.9	I - I	B - B	J - J	B - Z	Z - Z	G - F	
5.9	I - I	B - B	J - J	B - Z	Z - Z	G - F	
6.5	I - I	B - B	J - J	B - Z	Z - Z	G - F	
7.8	I - I	B - B	J - J	B - Z	Z - Z	G - F	
9.8	I - I	B - B	J - J	B - Z	Z - Z	G - F	

Table showing standard flange and thread combinations available in stock

	N
	O

Body (threads/flanges)							
	A		B		C		D
	E		F		G		
	H		I		J	Closed Body	Z