

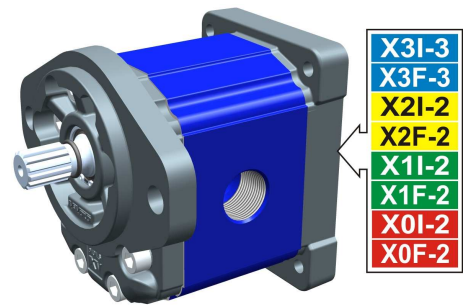
# entrainment pump - series XV

**X3T**

"SAE B" DRIVING PUMP  
 ø101.6 FLANGE - SPLINED SHAFT

**X 3 T 78 32 I E E A**

Series	X	series XV
Group	3	group 3
Category	T	entrainment pump
Displacement	78	38
Flange	32	Ø101.6 SAE B right rotation
Shaft	I	
Body	IN	inlet - 1" BSP
	OUT	outlet - 1" BSP
Cover	A	ø50,8 female cover for left multiple pump element



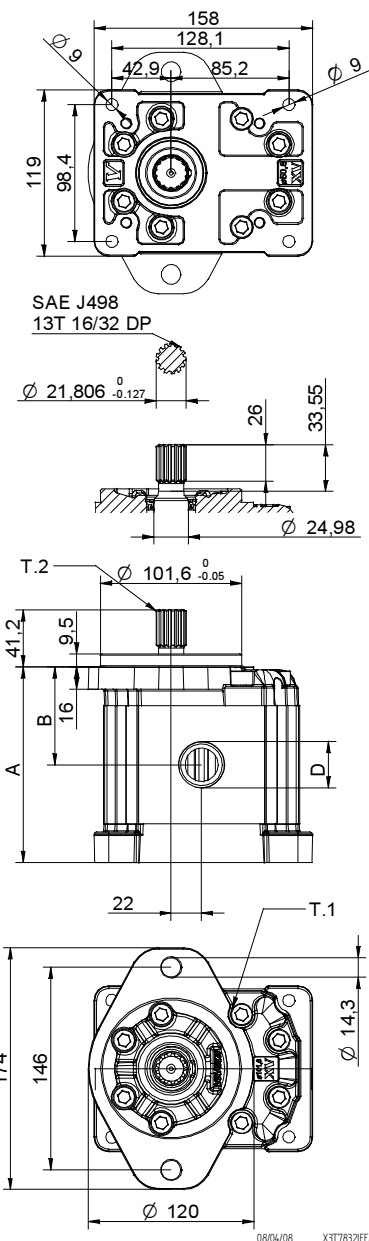
**XT331**

Technical data table						
TYPE	Displacement cm3/rev	Max. Pressure		CODE		
		P1 bar	P3 bar	Left rotation		Right rotation
X3T/15	14,89	300	320	X 3 T 66 31 I D D A	X 3 T 66 32 I D D A	
X3T/18	17,37	300	320	X 3 T 68 31 I D D A	X 3 T 68 32 I D D A	
X3T/21	21,10	280	300	X 3 T 70 31 I D D A	X 3 T 70 32 I D D A	
X3T/27	26,97	250	270	X 3 T 72 31 I E E A	X 3 T 72 32 I E E A	
X3T/32	32,27	250	270	X 3 T 74 31 I E E A	X 3 T 74 32 I E E A	
X3T/38	38,47	250	270	X 3 T 78 31 I E E A	X 3 T 78 32 I E E A	
X3T/43	43,44	250	270	X 3 T 79 31 I E E A	X 3 T 79 32 I E E A	
X3T/47	47,16	230	250	X 3 T 80 31 I E E A	X 3 T 80 32 I E E A	
X3T/51	50,88	230	250	X 3 T 81 31 I E E A	X 3 T 81 32 I E E A	
X3T/54	54,60	230	250	X 3 T 82 31 I E E A	X 3 T 82 32 I E E A	
X3T/61	60,81	230	250	X 3 T 83 31 I F F A	X 3 T 83 32 I F F A	
X3T/64	64,53	210	230	X 3 T 85 31 I F F A	X 3 T 85 32 I F F A	
X3T/70	70,74	200	220	X 3 T 86 31 I F F A	X 3 T 86 32 I F F A	
X3T/74	74,46	180	200	X 3 T 87 31 I F F A	X 3 T 87 32 I F F A	
X3T/90	86,87	150	170	X 3 T 89 31 I F F A	X 3 T 89 32 I F F A	

P1) Max. working pressure - P3) Max. peak pressure

For heavy-duty applications, it is recommended to check the admissible torque of the shaft

Dimensions table					
TYPE	Weight	A	B	D	D
	kg	mm	mm	IN	OUT
X3T/15	7,010	122,0	61,0	3/4" BSPP	3/4" BSPP
X3T/18	7,070	124,0	62,0	3/4" BSPP	3/4" BSPP
X3T/21	7,150	127,0	63,5	3/4" BSPP	3/4" BSPP
X3T/27	7,250	131,0	65,5	1" BSPP	1" BSPP
X3T/32	7,390	136,0	68,0	1" BSPP	1" BSPP
X3T/38	7,520	141,0	70,5	1" BSPP	1" BSPP
X3T/43	7,630	145,0	72,5	1" BSPP	1" BSPP
X3T/47	7,710	148,0	74,0	1" BSPP	1" BSPP
X3T/51	7,790	151,0	75,5	1" BSPP	1" BSPP
X3T/54	7,870	154,0	77,0	1" BSPP	1" BSPP
X3T/61	8,010	159,0	79,5	1" 1/4 BSPP	1" 1/4 BSPP
X3T/64	8,090	162,0	81,0	1" 1/4 BSPP	1" 1/4 BSPP
X3T/70	8,220	167,0	83,5	1" 1/4 BSPP	1" 1/4 BSPP
X3T/74	8,300	170,0	85,0	1" 1/4 BSPP	1" 1/4 BSPP
X3T/90	8,570	180,0	90,0	1" 1/4 BSPP	1" 1/4 BSPP



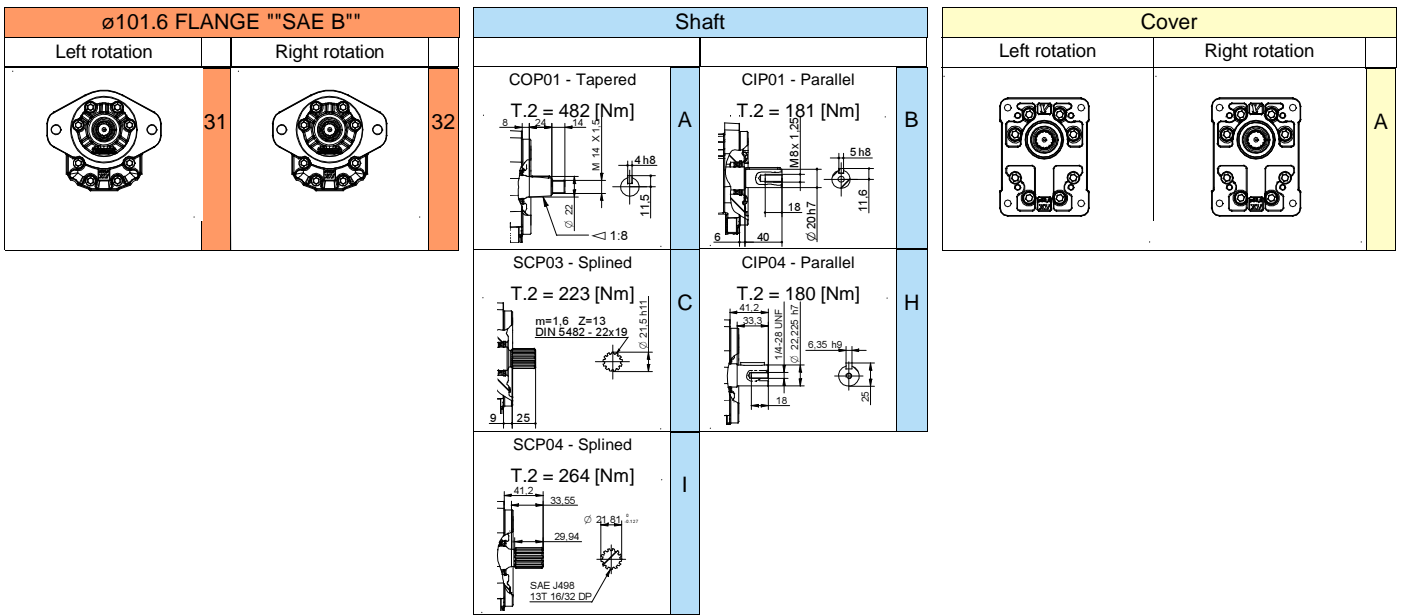
T.1 = 60÷65 [Nm] - screw tightening torque M10

T.2 = 264 [Nm] - admissible shaft torque (N.B. When choosing a shaft, always check the admissible torque).

# Table of variations

**X3T**

**∅101.6 FLANGE ""SAE B""**



Displacement	
TYPE	CODE
X3T/15	66
X3T/18	68
X3T/21	70
X3T/27	72
X3T/32	74
X3T/38	78
X3T/43	79
X3T/47	80
X3T/51	81
X3T/54	82
X3T/61	83
X3T/64	85
X3T/70	86
X3T/74	87
X3T/90	89

Standard bodies				
Displacement cm3/rev	Standard threads			
	15	A - A	D - D	H - H
18	A - A	D - D	H - H	
21	A - A	D - D	H - H	
27	A - A	E - E	H - H	
32	B - B	E - E	H - H	
38	B - B	E - E	H - H	
43	B - B	E - E	H - H	
47	B - B	E - E	H - H	
51	B - B	E - E	H - H	
54	B - B	E - E	H - H	
61	C - C	F - F		
64	C - C	F - F		
70	C - C	F - F		
74	C - C	F - F		
90	C - C	F - F		

Table showing standard flange and thread combinations available in stock

