

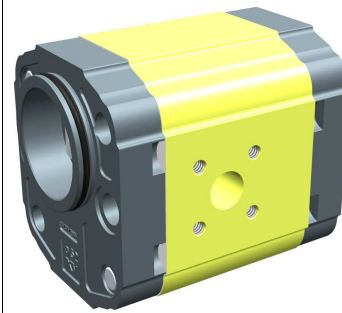
entrainment pump - series XV

X2T

"BH" GERMAN STANDARD DRIVING PUMP
 ø52 BODY-SHAPED FLANGE - MILLED SHANK

X 2 T 51 32 C S R D

Series	X	series XV
Group	2	group 2
Category	T	entrainment pump
Displacement	51	17
Flange	32	Ø52 GERMAN STANDARDIZED right rotation (with OR)
Shaft	C	CFP01 - Milled shank ø15 - thk.8 ("BH" Standard German)
Body	IN	inlet - Ø40 a 45° Ø20 M6
	OUT	outlet - Ø35 a 45° Ø15 M6
Cover	D	ø36,5 body-shaped female cover for left multiple pump element



- X2I-2
- X2F-2
- X1I-2
- X1F-2
- X0I-2
- X0F-2

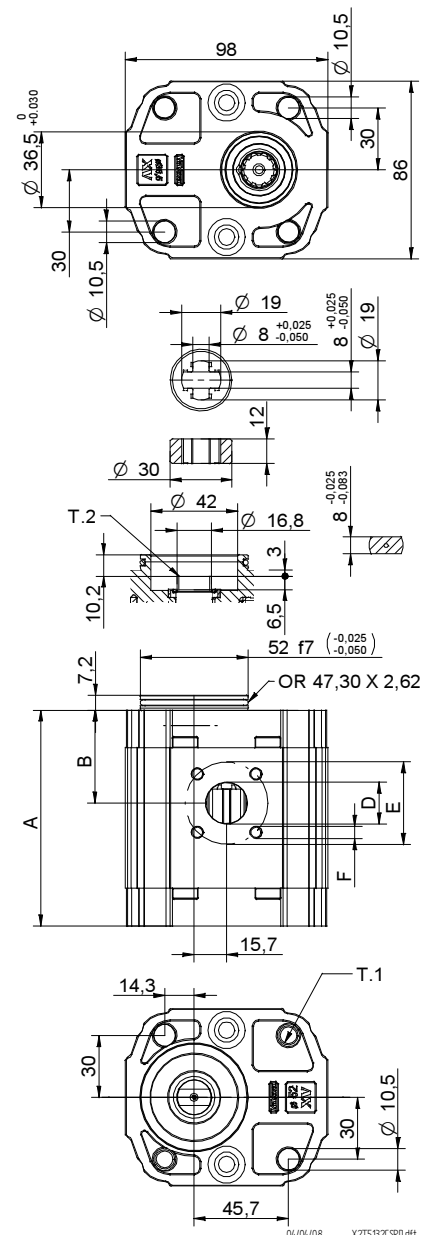
XT216

Technical data table																					
TYPE	Displacement cm3/rev	Max. Pressure		CODE																	
		P1 bar	P3 bar	Left rotation			Right rotation														
X2T/04	4,20	260	300	X	2	T	41	31	C	S	R	D	X	2	T	41	32	C	S	R	D
X2T/06	6,00	260	300	X	2	T	43	31	C	S	R	D	X	2	T	43	32	C	S	R	D
X2T/09	8,40	260	300	X	2	T	45	31	C	S	R	D	X	2	T	45	32	C	S	R	D
X2T/11	10,80	260	300	X	2	T	47	31	C	S	R	D	X	2	T	47	32	C	S	R	D
X2T/14	14,40	250	290	X	2	T	49	31	C	S	R	D	X	2	T	49	32	C	S	R	D
X2T/17	16,80	230	270	X	2	T	51	31	C	S	R	D	X	2	T	51	32	C	S	R	D
X2T/19	19,20	210	250	X	2	T	53	31	C	S	R	D	X	2	T	53	32	C	S	R	D
X2T/22	22,80	200	240	X	2	T	55	31	C	S	R	D	X	2	T	55	32	C	S	R	D
X2T/26	26,20	170	210	X	2	T	57	31	C	S	R	D	X	2	T	57	32	C	S	R	D
X2T/30	30,00	160	200	X	2	T	59	31	C	S	S	D	X	2	T	59	32	C	S	S	D
X2T/34	34,20	150	190	X	2	T	61	31	C	S	S	D	X	2	T	61	32	C	S	S	D
X2T/40	39,60	140	180	X	2	T	63	31	C	S	S	D	X	2	T	63	32	C	S	S	D

P1) Max. working pressure - P3) Max. peak pressure

For heavy-duty applications, it is recommended to check the admissible torque of the shaft

Dimensions table									
TYPE	Weight kg	A	B	D	E	F	D	E	F
		mm	mm	IN			OUT		
X2T/04	2,100	83,4	38,6	ø20	40	M6x1	ø15	35	M6x1
X2T/06	2,200	86,4	38,6	ø20	40	M6x2	ø15	35	M6x1
X2T/09	2,300	90,4	40,6	ø20	40	M6x3	ø15	35	M6x1
X2T/11	2,400	94,4	45,0	ø20	40	M6x4	ø15	35	M6x1
X2T/14	2,600	100,4	45,0	ø20	40	M6x5	ø15	35	M6x1
X2T/17	2,700	104,4	45,0	ø20	40	M6x6	ø15	35	M6x1
X2T/19	2,800	108,4	45,0	ø20	40	M6x7	ø15	35	M6x1
X2T/22	2,950	114,4	52,5	ø20	40	M6x8	ø15	35	M6x1
X2T/26	3,050	118,4	52,5	ø20	40	M6x9	ø15	35	M6x1
X2T/30	3,300	126,4	60,7	ø20	40	M6x10	ø20	40	M6x1
X2T/34	3,500	133,4	60,7	ø20	40	M6x11	ø20	40	M6x1
X2T/40	3,700	142,4	60,7	ø20	40	M6x12	ø20	40	M6x1



T.1 = 54÷58.9 [Nm] - screw tightening torque M10

T.2 = 60.5 [Nm] - admissible shaft torque (N.B. When choosing a shaft, always check the admissible torque).

Table of variations

X2T

Standard German ø52 "BH" FLANGE

Standard German ø52 "BH" FLANGE				Shaft		Cover			
Left rotation		Right rotation				Left rotation	Right rotation		
	31		32	CFP01 - Milled shank T.2 = 60.5 [Nm] 	C	SCF05 - Splined T.2 = 86.2 [Nm] m=1.6 Z=9 DIN 5482-17x14 			A
	33		34	SCI01 - Splined T.2 = 86.2 [Nm] m=1.6 Z=9 DIN 5482-17x14 	L				D
	35		36						
	37		38						

Displacement	
TYPE	CODE
X2T/04	41
X2T/06	43
X2T/09	45
X2T/11	47
X2T/14	49
X2T/17	51
X2T/19	53
X2T/22	55
X2T/26	57
X2T/30	59
X2T/34	61
X2T/40	63

Standard bodies						
Displacement cm3/rev	Standard threads					
	4	O - O	S - R	B - B	L - M	Z - Z
6	O - O	S - R	B - B	L - M	Z - Z	
9	O - O	S - R	B - B	L - M	Z - Z	
11	O - O	S - R	B - B	L - M	Z - Z	
14	P - O	S - R	C - B	L - M	Z - Z	
17	P - O	S - R	C - B	L - M	Z - Z	
19	P - O	S - R	C - B	L - M	Z - Z	
22	P - O	S - R	C - B	L - M	Z - Z	
26	Q - P	S - R	D - C	L - M	Z - Z	
30	Q - P	S - S	D - C	L - M	Z - Z	
34	Q - P	S - S	D - C	L - M	Z - Z	
40	Q - P	S - S	D - C	L - M	Z - Z	

Table showing standard flange and thread combinations available in stock

Body (threads/flanges)													
	A		B		C		D		E		F		G
	H		I		L		M		N		O		P
	Q		R		S		T		U		V		Z