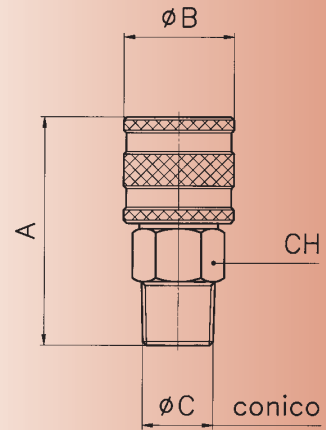


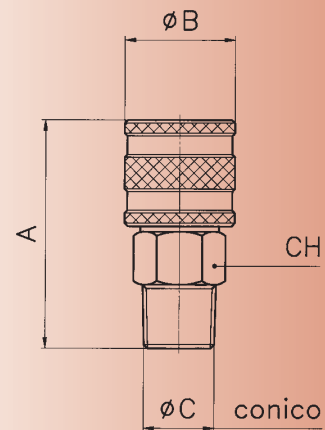
# QUICK CONNECT



**MALE - CONNECTION  
QUICK CONNECT  
COUPLING**

**FT 2521/5**

A	ØB	ØC	CH
40	21,5	1/8" G	16
43	21,5	1/4" G	16
45	21,5	3/8" G	17

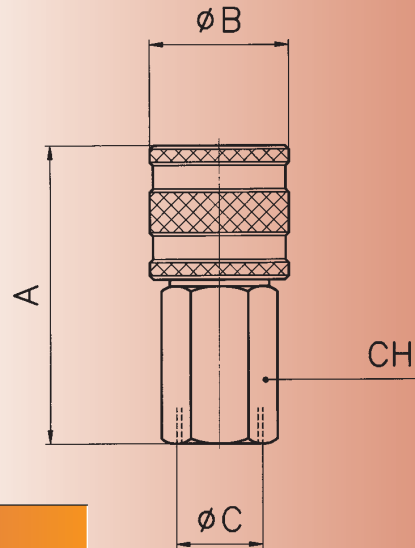


**MALE - CONNECTION  
QUICK CONNECT  
COUPLING**

**FT 2521/8**

A	ØB	ØC	CH
47,5	32	3/8" G	26
59,5	32	1/2" G	26

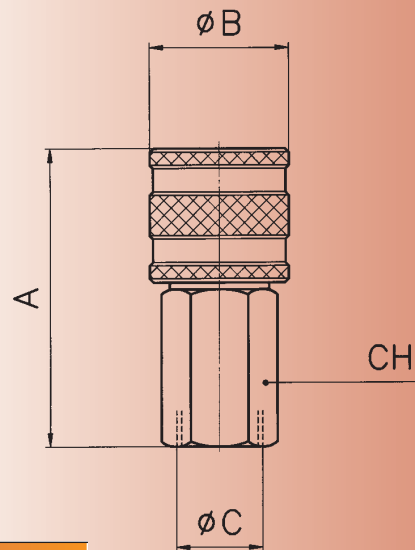
# COUPLING



**FEMALE - CONNECTION  
QUICK CONNECT  
COUPLING**

**FT 2522/5**

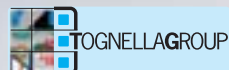
A	ØB	ØC	CH
40	21,5	1/8"G	16
43	21,5	1/4"G	16
45	21,5	3/8"G	17



**FEMALE - CONNECTION  
QUICK CONNECT  
COUPLING**

**FT 2522/8**

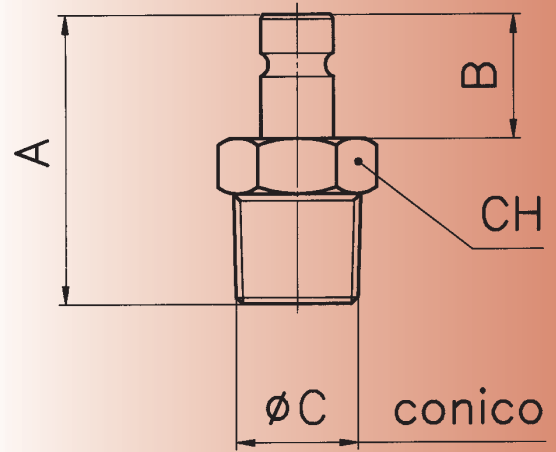
A	ØB	ØC	CH
47,5	32	3/8"G	26
59,5	32	1/2"G	26



87



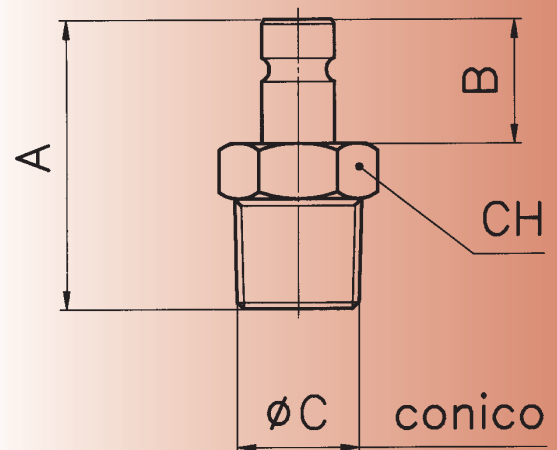
# QUICK CONNECT



**MALE - THREAD  
ADAPTOR**

**FT 2551/5**

A	ØB	ØC	CH
37,5	21,5	1/8"G	16
44,5	21,5	1/4"G	16

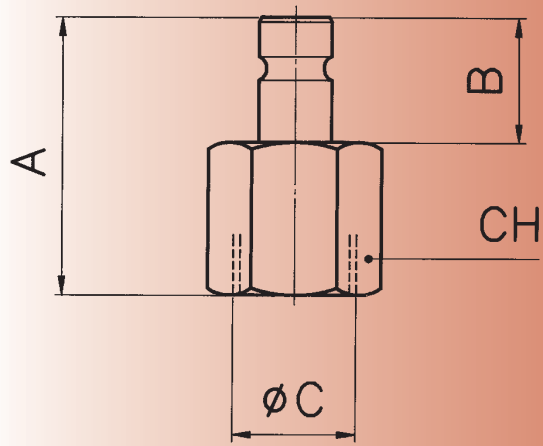


**MALE - THREAD  
ADAPTOR**

**FT 2551/8**

A	ØB	ØC	CH
57,5	32	3/8"G	26
59,5	32	1/2"G	26

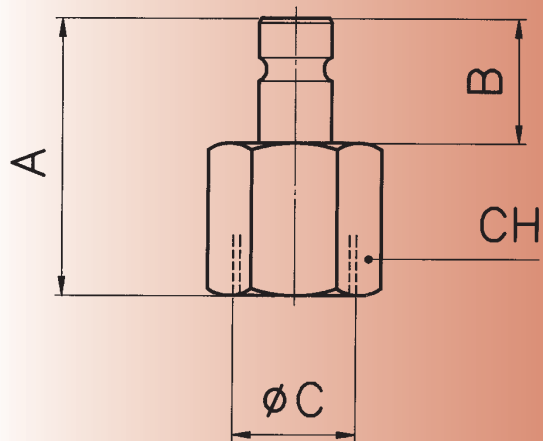
# COUPLING



**FEMALE - THREAD  
ADAPTOR**

**FT 2552/5**

A	ØB	ØC	CH
37,5	21,5	1/8" G	16
44,5	21,5	1/4" G	16



**FEMALE - THREAD  
ADAPTOR**

**FT 2552/8**

A	ØB	ØC	CH
57,5	32	3/8" G	26
59,5	32	1/2" G	26

