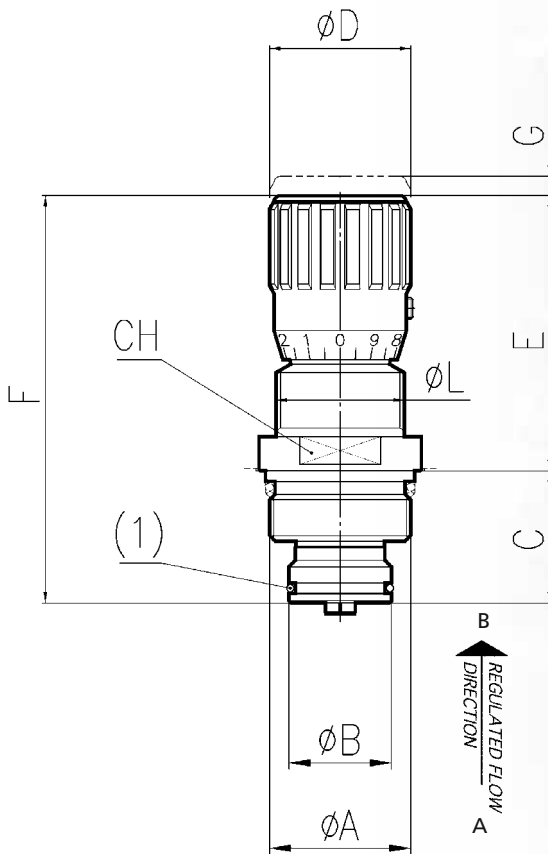



MATERIALS

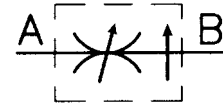
BODY BASE	11 S MN Pb 30 - UNI EN 10087
COMPENSATION UNIT	38 NI CR Mo 4
OR	NITRILE
ANTIEXTRUSION RING	PTFE
NOB	GD AL SI 12 - UNI EN AB 46100

EXAMPLE FOR ORDERING

	CODE	TYPE	VITON SEAL
STEEL	FT 297/2	14	V


DIMENSIONS

TYPE	ØA UNI 4534	ØB	C	ØD	E	F	G	ØL	CH	(1) OR	WEIGHT KG
14	M33x1,5	24	31	33	64,5	95,5	4,5	M30x1,5	32	2081	0,350



CARTRIDGE MOUNTED PRESSURE COMPENSATED MICROFINE FLOW CONTROL VALVES

Pressure compensated flow control valves, to insert in modular units in line. They are essentially composed of a central body which may be screwed in units preset by the user.

The construction and functional characteristics reflect exactly those of valves series FT 287.

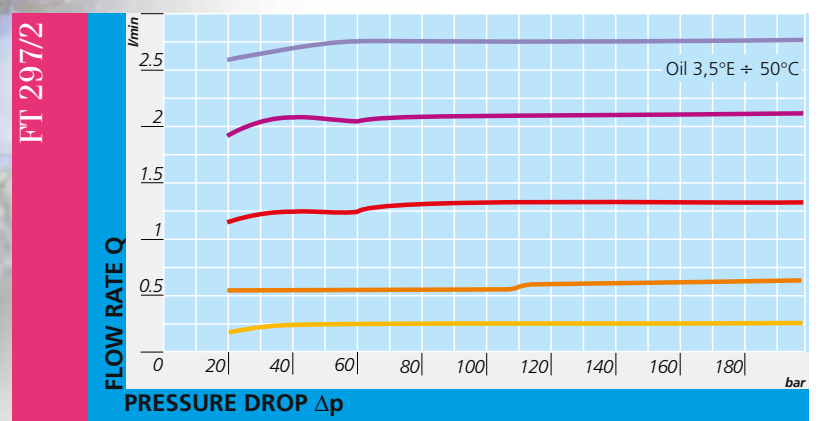
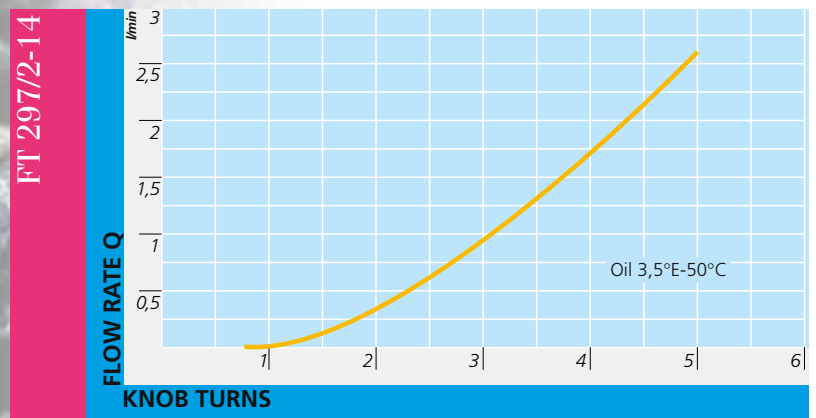
It is recommended to keep them in their protective wrapping until the mounting, in order to avoid possible drawbacks caused by eventual entry of particles into the delicate and essential parts for a good working.

On request

- Viton seals (V)



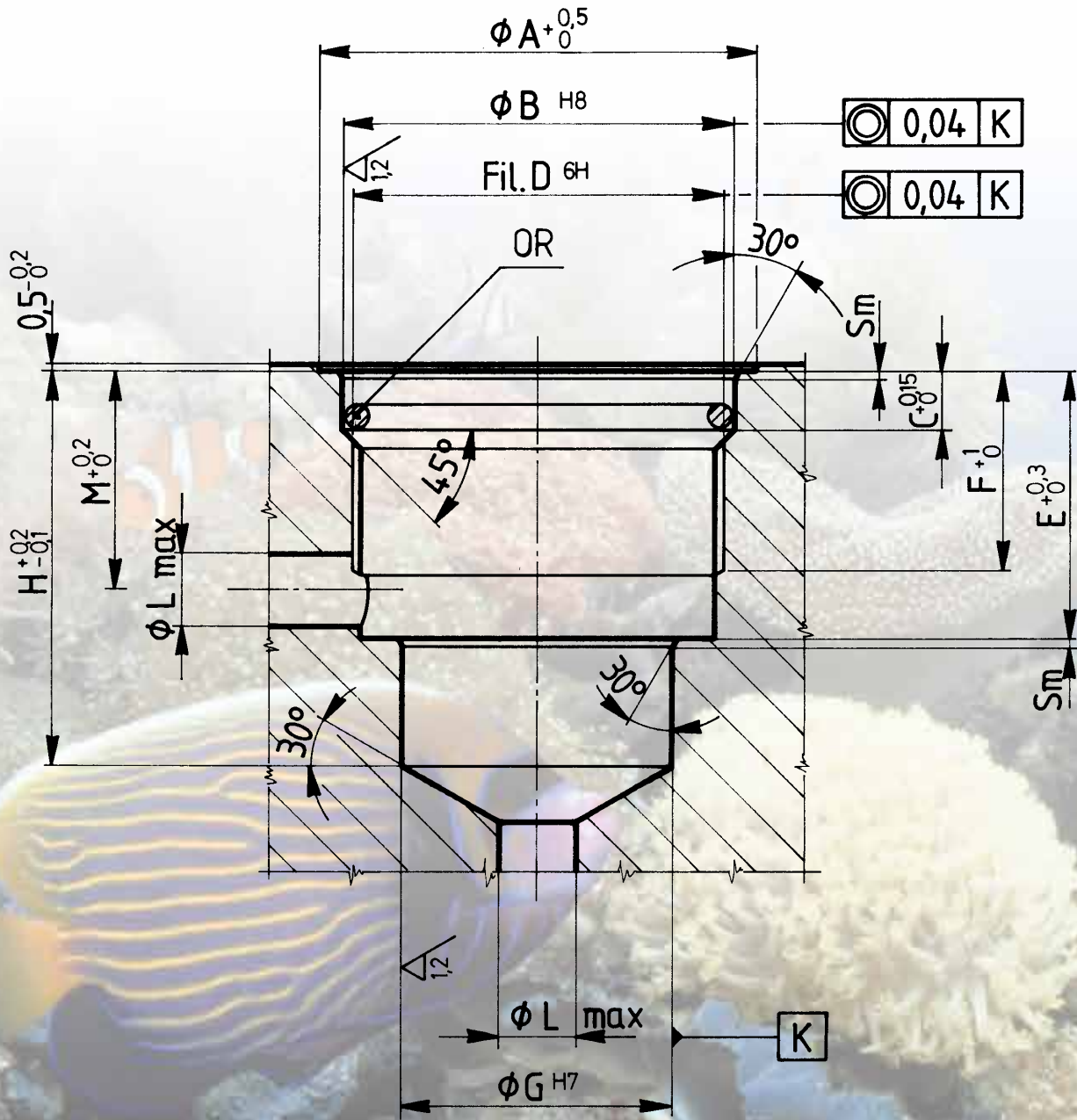
FT 297/2



TECHNICAL DATA

TYPE	MAX. WORKING PRESSURE BAR	MIN. BURSTING PRESSURE BAR	WORKING TEMPERATURE °C	FILTRATION GRADE μM ABSOLUTE
14	320	7,5	-20°/+70°	25

Sealing realized
with OR seals
on conical
seating



DRAWING OF CAVITY MACHINE FOR CARTRIDGE MOUNTED VALVES



FT 287/2 - FT 297/2



TYPE	ØA	ØB	C	D UNI 4535	E	F	ØG	H	ØL	M	OR	SM
14	39	35	5,2	M33x1,5	24	18	24	35,2	6,5	20	3118	0,8
38	44	40,5	5,2	M39x1,5	27,5	19	30	40	9	22,5	3143	0,8
12	53	49	6,5	M48x2	33,5	23,5	35	49	11	27,5	3175	0,8
34	63	58	7	M55x2	40	27	40	57	13,5	32,5	155	1