

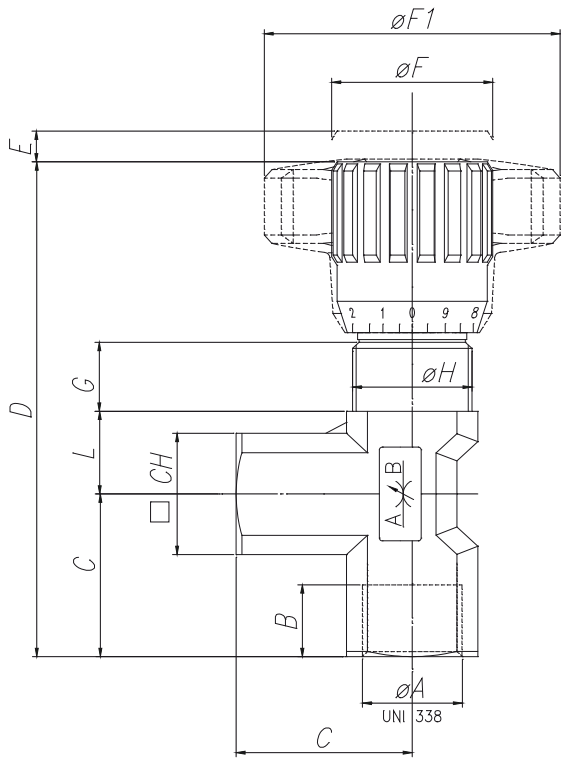


MATERIALS

BODY	11 S MN Pb 30 - UNI EN 10087
NEEDLE	1 C 40 - UNI 8373
OR	NITRILE
ANTIEXTRUSION RINGS	PTFE
KNOB	GD - AL SI 12 - UNI EN AB 46100
KNOB (MP)	ABS
KNOB (RA)	GD - AL SI 12 - UNI EN AB 46100

EXAMPLE FOR ORDERING

	CODE	TYPE	PANNEL RING NUT	VITON SEAL	KNOB IN PLASTIC
STEEL	FT 252/2		G	V	MP
STAINLESS STEEL	FT 2252/2	12	G	-	MP



DIMENSIONS

TYPE	A UNI 338	B	C	D	E	øF	øF1	G	øH	L	CH	WEIGHT KG
14	1/4" G	12	25	74,5	4,5	22	40	12	M17x1	11	18	0,125
38	3/8" G	13	29,5	88	7	27	50	11,5	M20x1	15	22	0,228
12	1/2" G	16	36	105	10	33	70	13	M25x1,5	19	27	0,418



90° ANGLE DOUBLE-ACTING SHUT-OFF CONTROL VALVES

They allow flow control in both directions.

They are equipped with a needle so to obtain:

- metallic seal;
- flow linearity at the opening;
- accurate control for a wide range of flow rate.

A double reference system made up of a decimal scale on the handle and of a keyed metal ring with graduated fractional scale and divided into sectors allows the identification of flow conditions. A locking screw in the handle ensure stable flow values preventing accidental adjustments or movements due to vibrations. A ring nut (G) is used to carry out the panel mounting, on request.

On request

- Versions AISI 316 code FT 2252/2
- Viton seals (V)
- NPT threads
- Equipped with ring nuts (G)
- Handlewheel in ABS (mp)
- Lobes aluminium die-cast handwheel (RA)

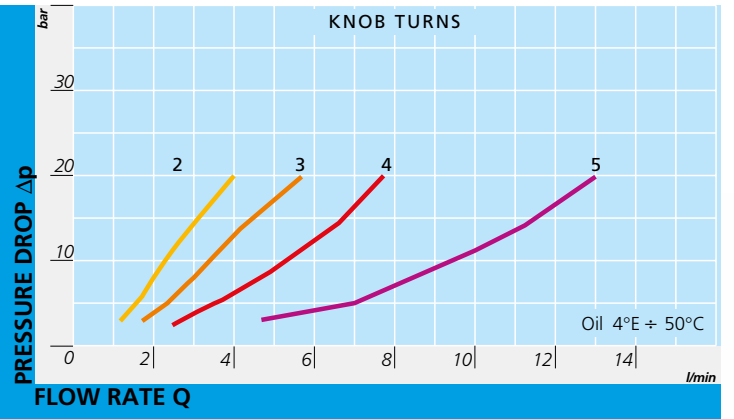


FT 252/2

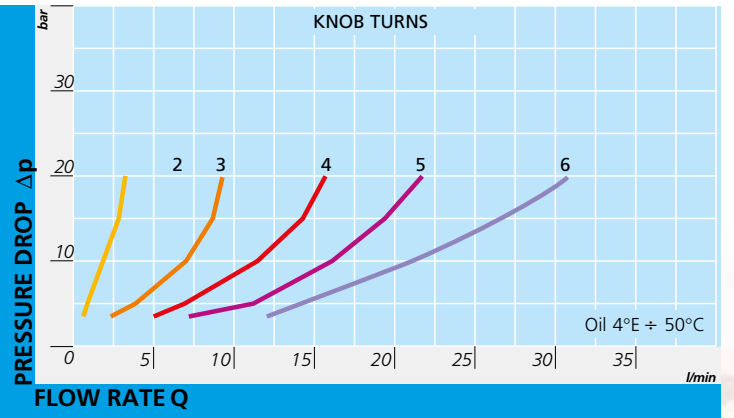
TECHNICAL DATA

TYPE	FLOW SECTION CM ²	WORKING PRESSURE BAR	MIN. BURSTING PRESSURE BAR	WORKING TEMPERATURE	FILTRATION GRADE μM
14	12,57	350	1600	-20°/+100°	25
38	19,64	350	1600	-20°/+100°	25
12	50,27	350	1600	-20°/+100°	25

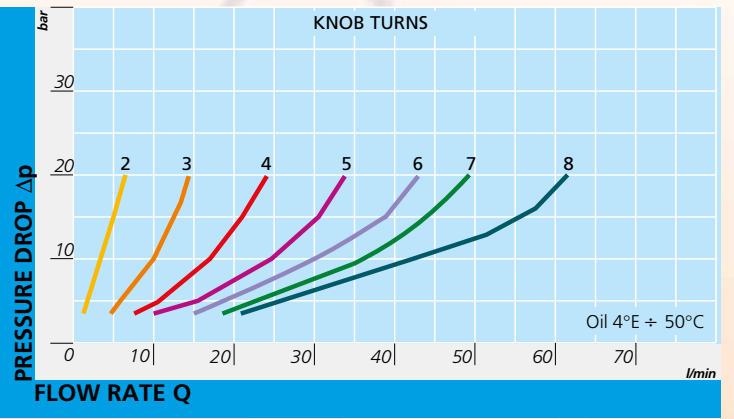
FT 252/2-14



FT 252/2-38



FT 252/2-12



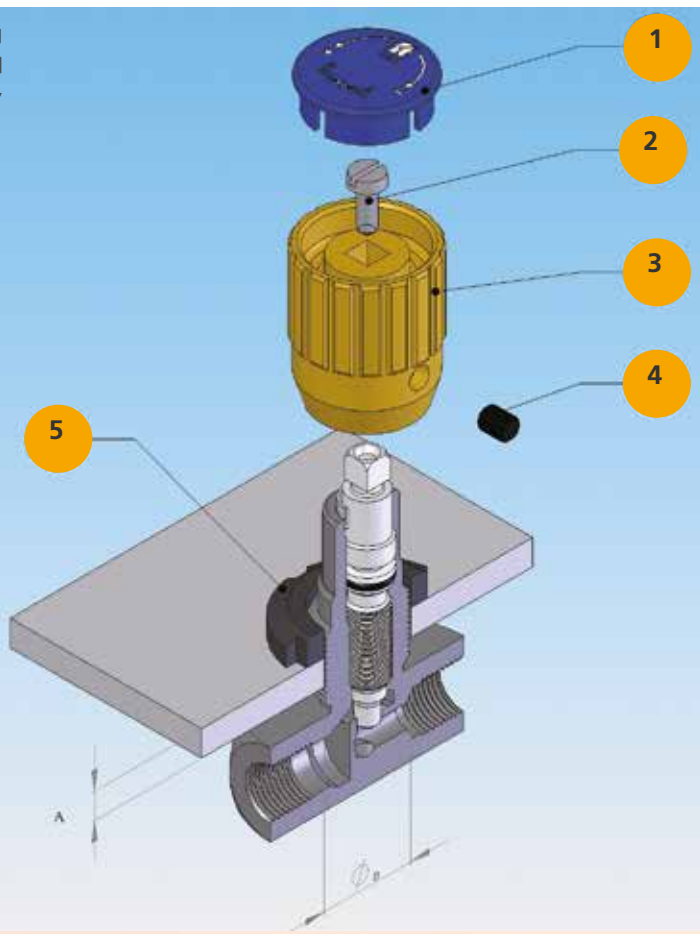
FLOW RATE CURVES



FT 252/2



SERIE
FT 257
FT 252



PANEL MOUNTING INSTRUCTION



SERIE FT 257 - FT 252

PANEL MOUNTING

1°	UNSCREW LOCK SCREW (4)
2°	REMOVE COVER PLATE (1)
3°	UNSCREW SCREW (2)
4°	PULL OFF HANDLE (3)
5°	INSERT RING NUT (5), ON REQUEST IT IS SUPPLIED WITH THE VALVE

FT 257

TYPE VALVE	PANEL THICKNESS A MAX	BORE FOR PANEL MOUNTING $\varnothing B$
18	6	18
14	8	21
38	10	26
12	10	31
34	10	41
100	10	51
114	10	51
112	12	56
200	12	66

FT 252

TYPE VALVE	PANEL THICKNESS A MAX	BORE FOR PANEL MOUNTING $\varnothing B$
14	5	18
38	5	21
12	5	26