



FT 243/5 - S

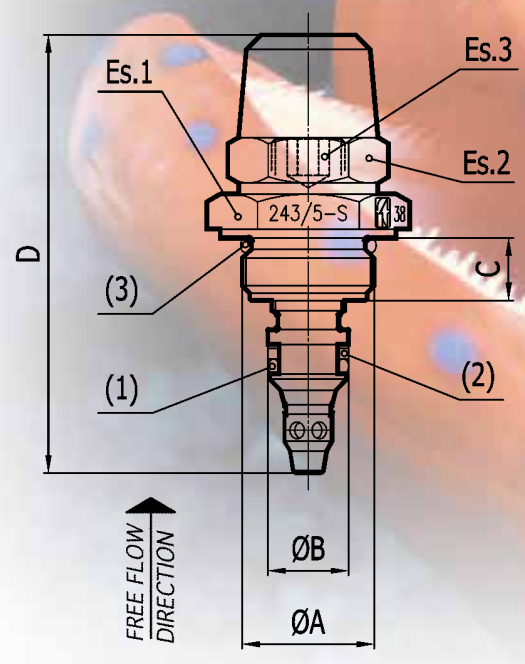
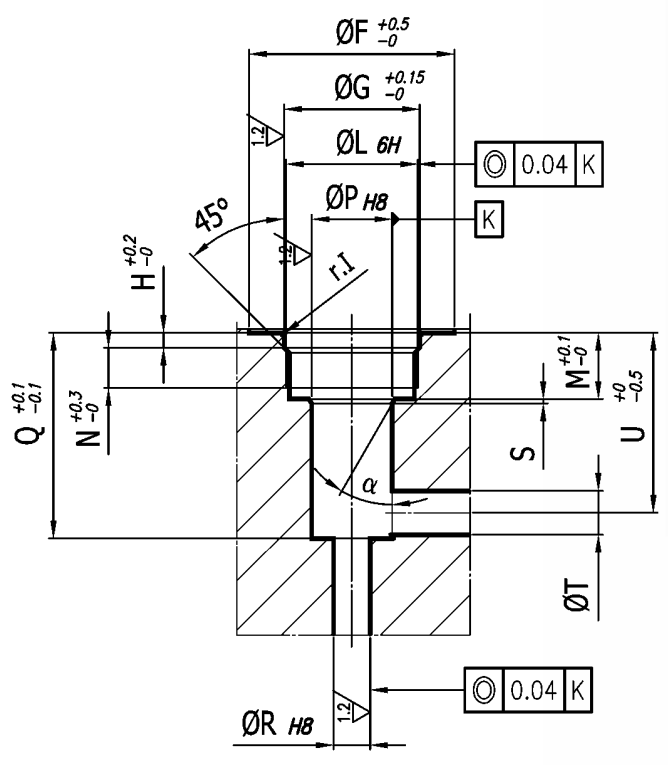


MATERIALS

BODY	ETG 100
NEEDLE	35SMNP810 - AISI 303
OR	NITRILE
NUT	35SMNP810
BK	PTFE

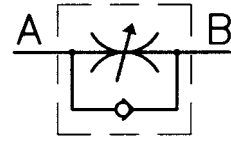
EXAMPLE FOR ORDERING

	CODE	TYPE	VITON SEAL
STEEL	FT 243/5-S	34	V
STAINLESS STEEL	FT 2243/5-S	34	-



DIMENSIONS

TYPE	A	ØB	C	D	Es.1	Es.2	Es.3	(1) OR	(2) BK	(3) OR	ØF	ØG	H
14	M17x1	10	8.5	59	22	17	4	106	106	2056	26	17.5	2
38	M18x1	11	8.5	59	24	19	5	2031	2031	2062	28	18.5	2
12	M22x1.5	14	13.5	87	27	22	7	2043	2043	2075	33	22.5	2.5
34	M27x1.5	18	18	106	32	27	9	2056	2056	3093	35	28	3.5



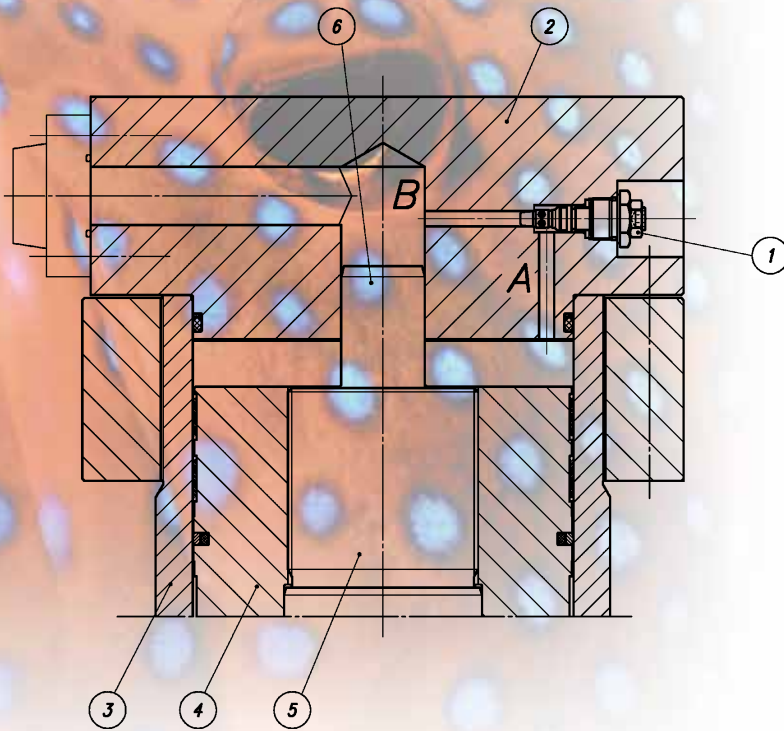
SINGLE-ACTING BRAKING VALVES BLEED-AIR

They are composed of a needle throttling, inside which there is a ball single-acting valve. They can be used in the assembling in manifolds and integrated blocks and are also used as cylinder braking valves. This kind of valve can be used also as air breather. By removing the cap nut it is possible to unscrew the needle and uncover the coaxial passage which allows the breather of the underlying chamber.

Recommended filtration: 60 micron or inferior.
Max. working pressure: 300 bar



FT 243/5-S



DESCRIPTION

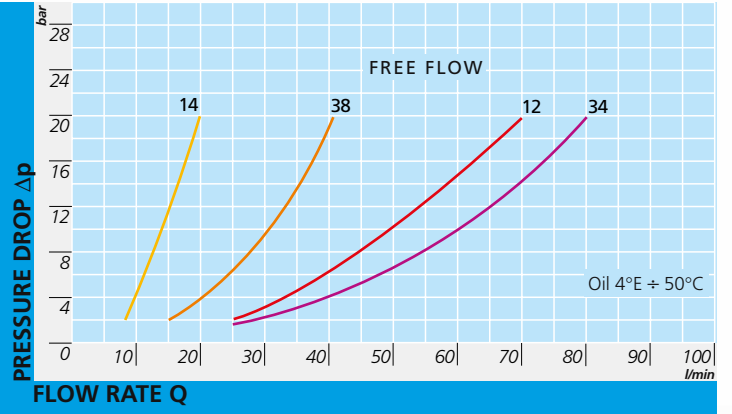
1	VALVE FT 243/5-S
2	CYLINDER HEAD
3	BARREL
4	PISTON
5	STEM
6	PIN OF BRAKE

DIMENSIONS

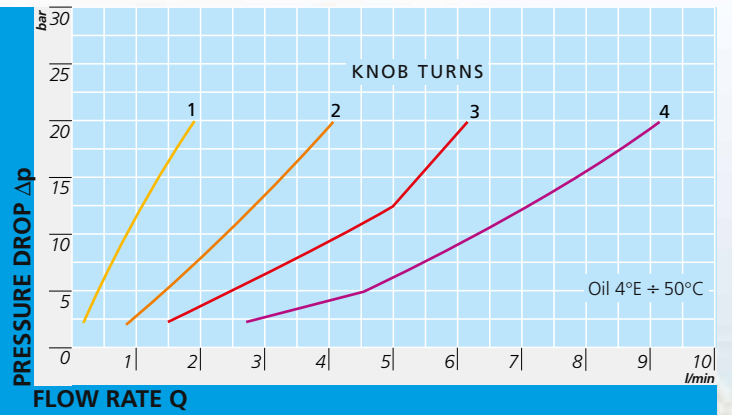
TYPE	∅L	M	N	∅P	Q	∅R	S	∅T	U	R.I	α°
14	M17x1	9	5.5	10	28	4	0.6	4.5	25	0.3	30°
38	M18x1	9	5	11	28	5	0.6	6	24.5	0.3	30°
12	M22x1.5	15	10	14	40.5	8	1	8	36	0.3	20°
34	M27x1.5	21	15	18	54.5	10	1.5	10	48.5	0.5	20°



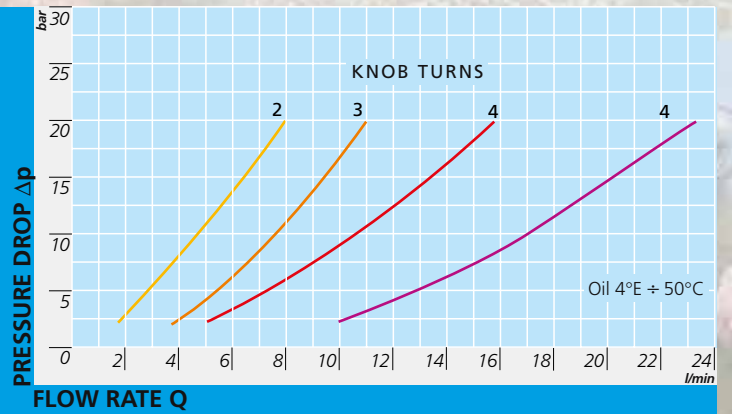
FT 243/5 - S



FT 243/5 - 14 - S



FT 243/5 - 38 - S



FLOW RATE CURVES



FT 243/5-S

