

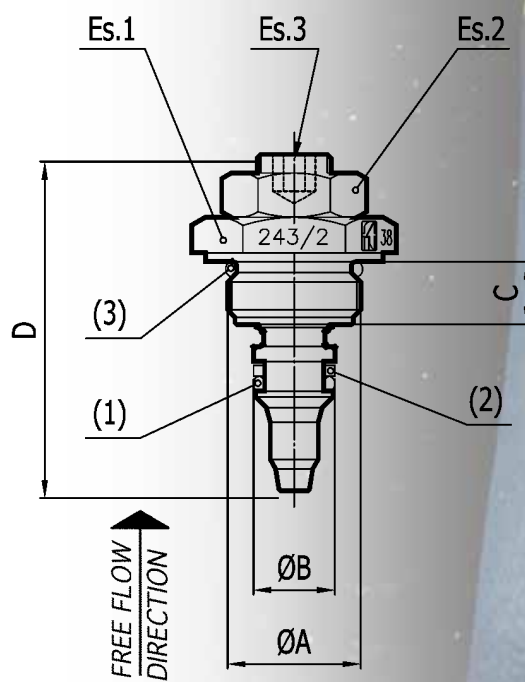
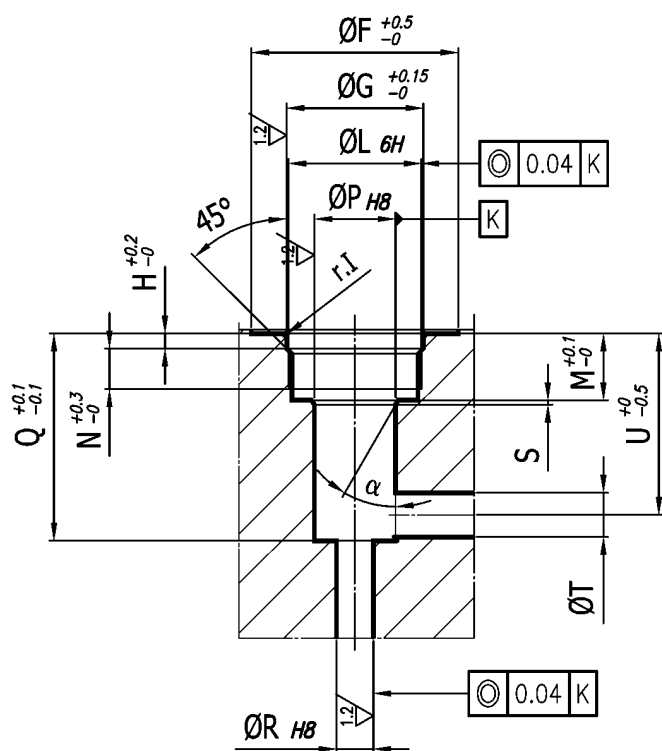


MATERIALS

BODY	ETG 100
NEEDLE	35SMNP810 - AISI 303
OR	NITRILE
NUT	35SMNP810
BK	PTFE

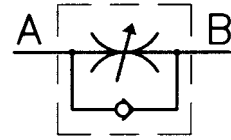
EXAMPLE FOR ORDERING

	CODE	TYPE	VITON SEAL
STEEL	FT 243/5	34	V
STAINLESS STEEL	FT 2243/5	34	-



DIMENSIONS

TYPE	ØA	ØB	C	D	Es.1	Es.2	Es.3	(1) OR	(2) BK	(3) OR	ØF	ØG
14	M17x1	10	8.5	44.5	22	17	4	106	106	2056	26	17.5
38	M18x1	11	8.5	45.5	24	17	5	2031	2031	2062	28	18.5
12	M22x1.5	14	13.5	66.5	27	19	7	2043	2043	2075	33	22.5
34	M27x1.5	18	18	82	32	22	9	2056	2056	3093	35	28



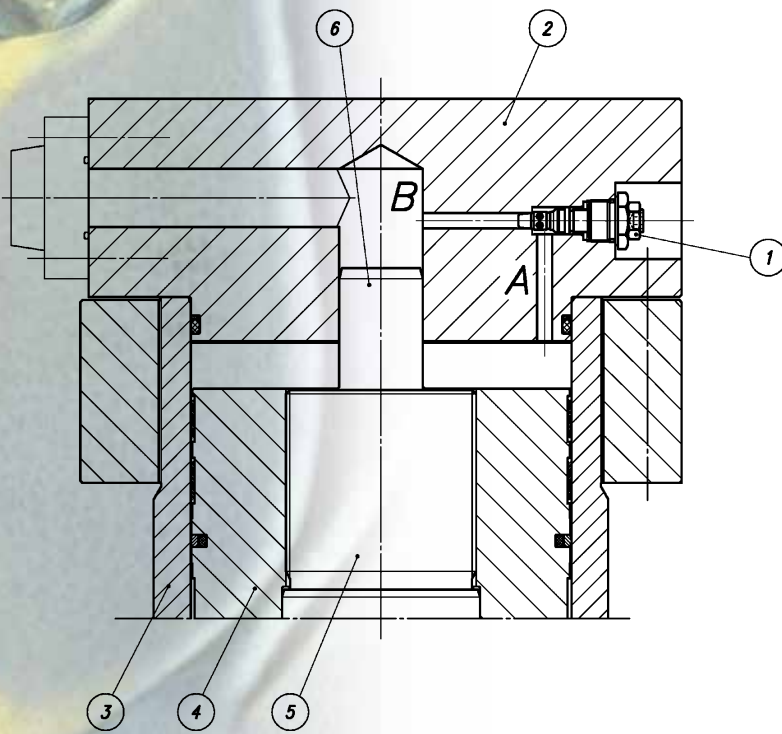
SINGLE-ACTING BRAKING VALVES

They are composed of a needle throttling, inside which there is a ball single-acting valve. They can be used in the assembling in manifolds and integrated blocks and are also used as cylinder braking valves.

Recommended filtration: 60 micron or inferior.
Max. working pressure: 300 bar



FT 243/5



DESCRIPTION

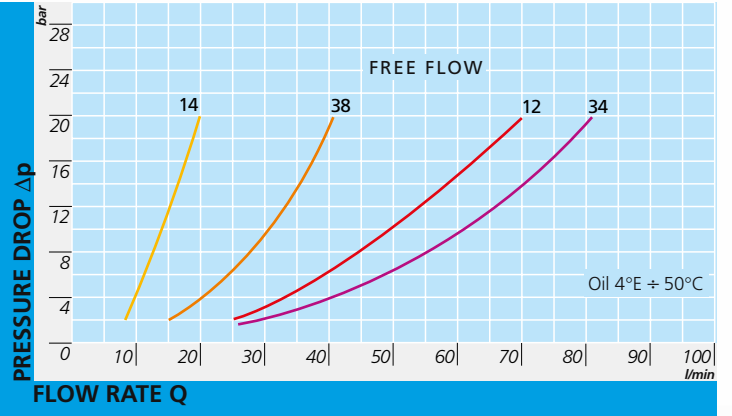
1	VALVE FT 243/5
2	CYLINDER HEAD
3	BARREL
4	PISTON
5	STEM
6	PINK OF BRAKE

DIMENSIONS

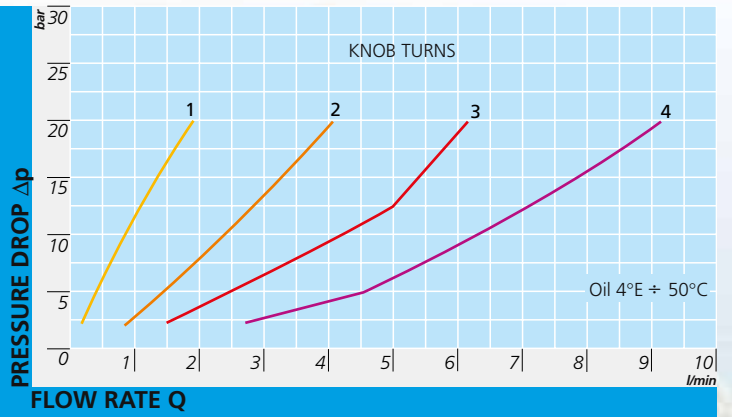
TYPE	H	∅L	M	N	∅P	Q	∅R	S	∅T	U	R.I	α°
14	2	M17x1	9	5.5	10	28	4	0.6	4.5	25	0.3	30°
38	2	M18x1	9	5	11	28	5	0.6	6	24.5	0.3	30°
12	2.5	M22x1.5	15	10	14	40.5	8	1	8	36	0.3	20°
34	3.5	M27x1.5	21	15	18	54.5	10	1.5	10	48.5	0.5	20°



FT 243/5



FT 243/5 - 14



FT 243/5 - 38



FLOW RATE CURVES



FT 243/5

