

# FT2253/5-01



## SINGLE-ACTING NEEDLE CONTROL VALVE IN LINE

Derived from the pressing of series FT 2251/2 they allow regulation of flow in one direction and full free flow in opposite direction thanks to the needle unit with incorporated ball they are equipped with. As an alternative to FT 2257/5 where the working pressure does not exceed 350 bar. They can be used also with fluids different from oil, such as: air, gas and liquids in general.

They have the same characteristics as the FT 2257 series:

- accurate flow regulation;
- efficient metallic sealing;
- simple setting of flow rates;
- secure against accidental needle withdrawal;
- secure needle position;
- ready for panel mount

### On request

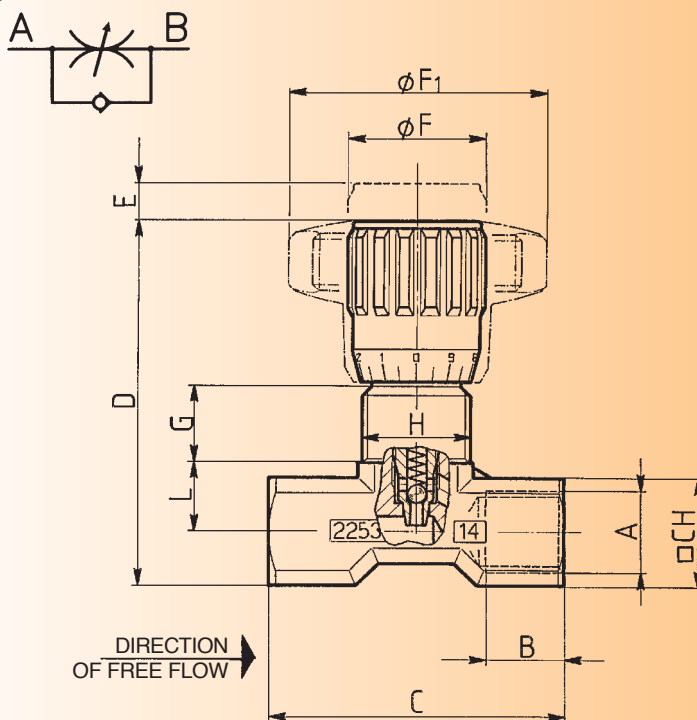
- NPT threads
- ABS (mp)Knob  
Complete with lock nut (G)
- Versions with connections male/female (02)

## materials

Body	AISI 316 stainless steel
Needle	X 10 Cr Ni S 1809 - UNI 6900
OR	Viton
Antiextrusion ring	PTFE
Handwheel	GD Al Si 12 - UNI 5706
Handwheel (mp)	ABS

## example for ordering

Code	Type	Lock nut	Plastic handwheel
FT 2253/5-01	14	G	mp



## dimensions

Type	UNI 338	B	C	D	E	ØF	ØF1	G	H	L	CH	Weight kg
18	1/8" G	8	40	55	4	22	40	12	M15x1	9,5	15	0,105
14	1/4" G	12	46	57	4,5	22	40	11,5	M17x1	11,5	18	0,135
38	3/8" G	13	55	69	7	27	50	12,5	M20x1	15	22	0,250
12	1/2" G	16	70	82	10	33	70	13	M25x1,5	19	27	0,460
34	3/4" G	20	91	100	12	38	80	15	M30x1,5	22	34	0,860

## technical data

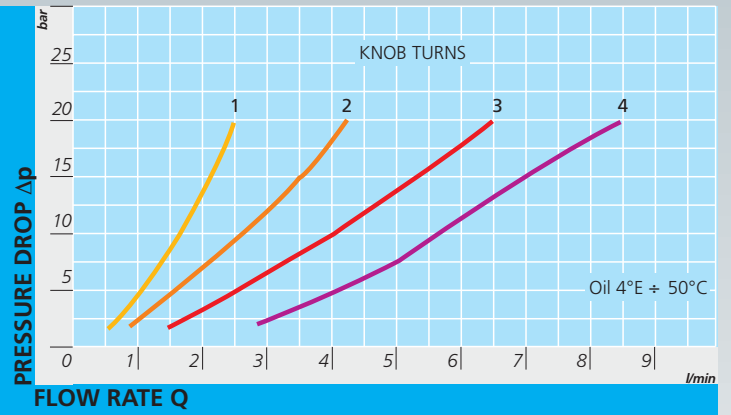
Type	Port section sq. mm	Max. working pressure bar	Working temperature °C	Filtration grade µm
18	7,07	350	-20° / 130°C	25
14	12,57	350	-20° / 130°C	25
38	19,64	350	-20° / 130°C	25
12	50,27	350	-20° / 130°C	25
34	78,54	350	-20° / 130°C	25



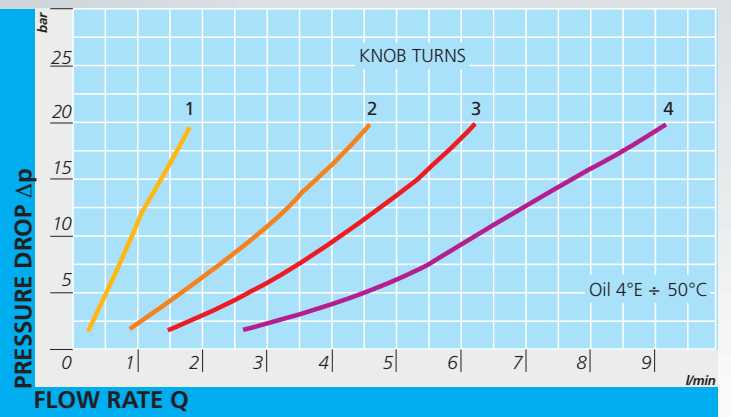
# flowrate



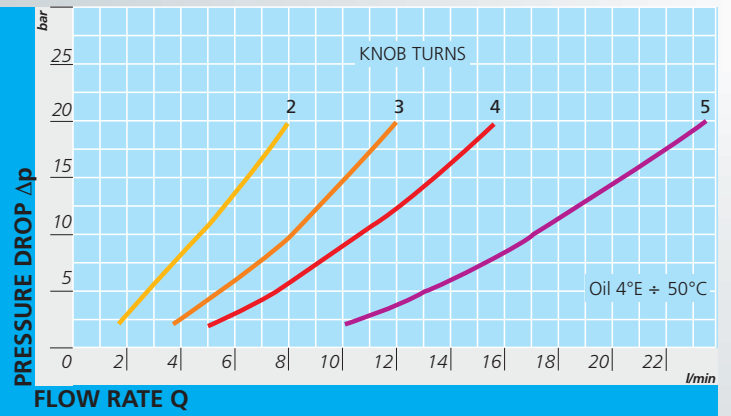
FT 2253/5-18



FT 2253/5-14

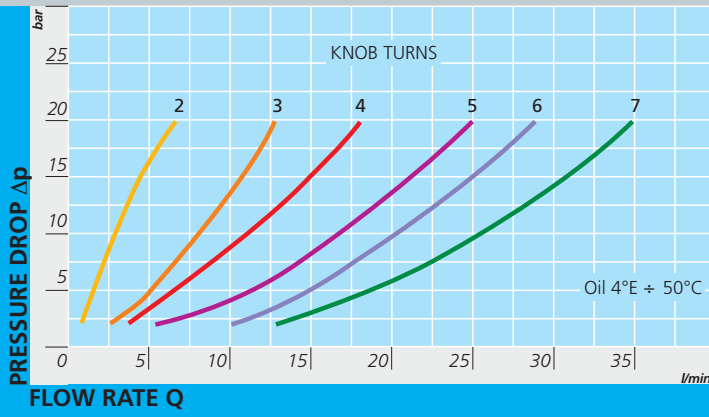


FT 2253/5-38

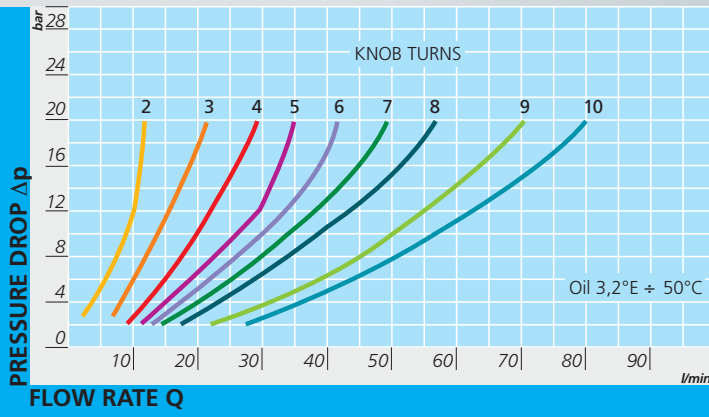


# curves

FT 2253/5-12



FT 2253/5-34



FT 2253/5

