

FT2243/5



SINGLE-ACTING BREAKING VALVES



They are composed of a needle throttling, inside which there is a ball single-acting valve. They can be used in the assembling in manifolds and integrated blocks and are also used as cylinder braking valves.

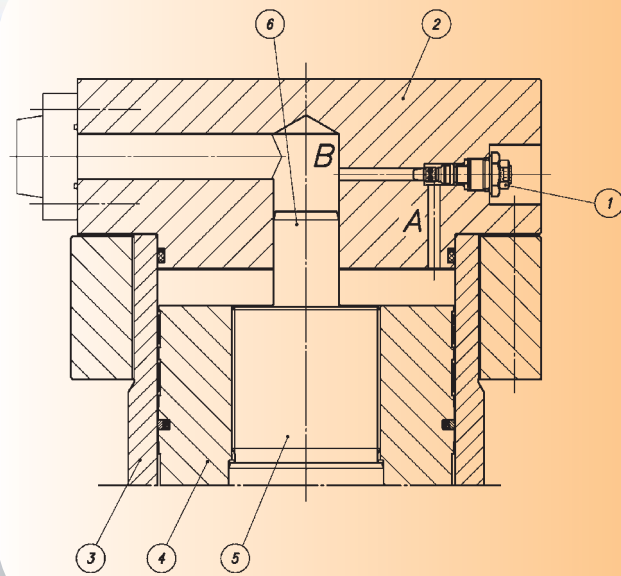
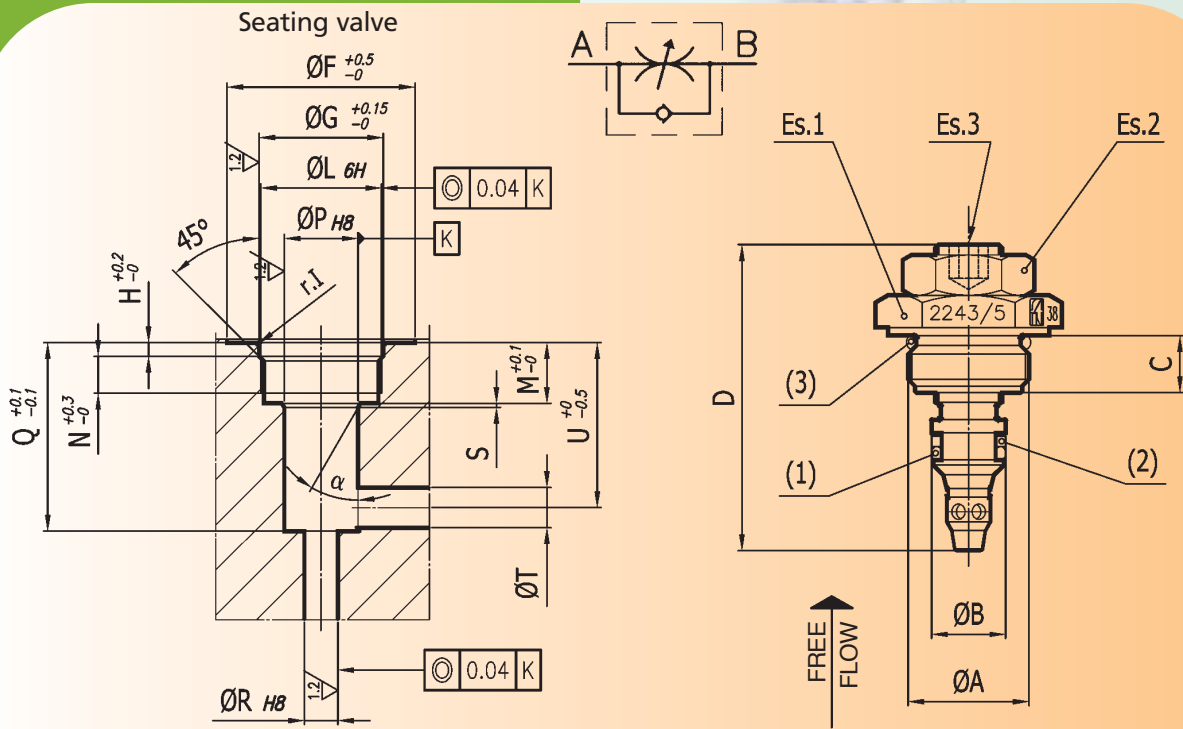
Recommended filtration: 60 micron or inferior.
Max. working pressure: 300 bar

dimensions valves

Type	ØA	ØB	C	D	Es.1	Es.2	Es.3	(1)OR	(2)BK	(3)OR	ØF	ØG
14	M17x1	10	8,5	44,5	22	17	4	106	106	2056	26	17,5
38	M18x1	11	8,5	45,5	24	17	5	2031	2031	2062	28	18,5
12	M22x1,5	14	13,5	66,5	27	19	7	2043	2043	2075	33	22,5
34	M27x1,5	18	18	82	32	22	9	2056	2056	3093	35	28

materiali

Body	AISI 316 stainless steel
Needle	X 10CrNiS1809-UNI 6900
OR	Viton
Nut	AISI 316
BK	PTFE



description

1	Valve FT 2243/5
2	Cylinder head
3	Barrel
4	Pistons
5	Stem
6	Pink of brake

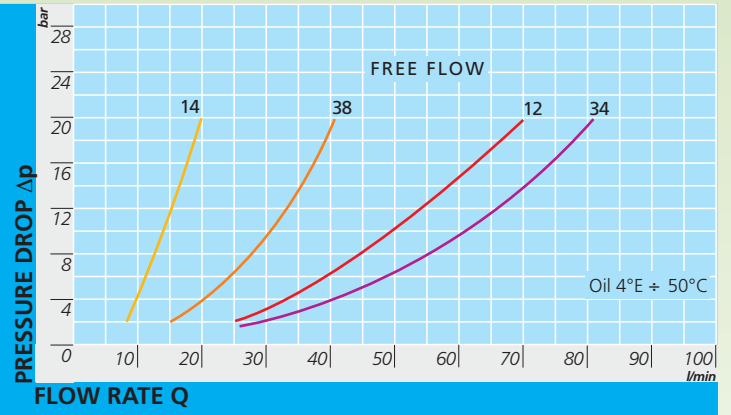
dimension seating valve

Type	H	$\varnothing L$	M	N	$\varnothing P$	Q	$\varnothing R$	S	$\varnothing T$	U	r.1	α°
14	2	M17x1	9	5.5	10	28	4	0.6	4.5	25	0.3	30°
38	2	M18x1	9	5	11	28	5	0.6	6	24.5	0.3	30°
12	2.5	M22x1.5	15	10	14	40.5	8	1	8	36	0.3	20°
34	3.5	M27x1.5	21	15	18	54.5	10	1.5	10	48.5	0.5	20°

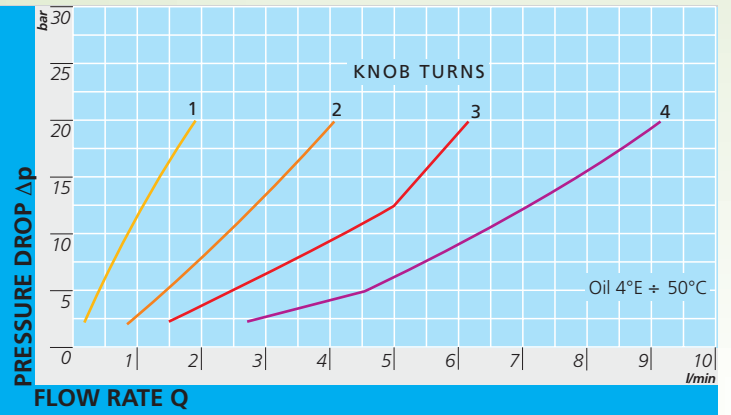
flowrate



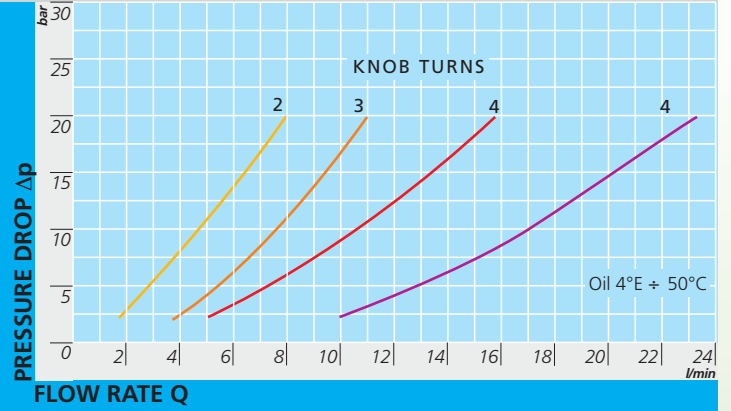
FT 2243/5



FT 2243/5 - 14

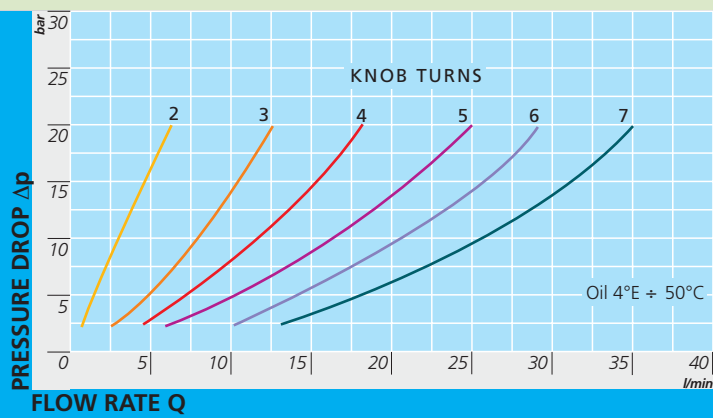


FT 2243/5 - 38



curves

FT 2243/5 - 12



FT 2243/5 - 34

