



4/2, 4/3 WAY DIRECTIONAL VALVES KV

- NG 6, 10
- Up to 350 bar [5 076 PSI]
- Up to 80 L/min [21.1 GPM]
- Up to 130 L/min [34.3 GPM]
- Direct hydraulic operation.
- Connecting dimensions to ISO 4401.
- Threaded connections to ISO 1179.



KV-4/3-5KO-6-H, KV-4/3-5KO-10-H

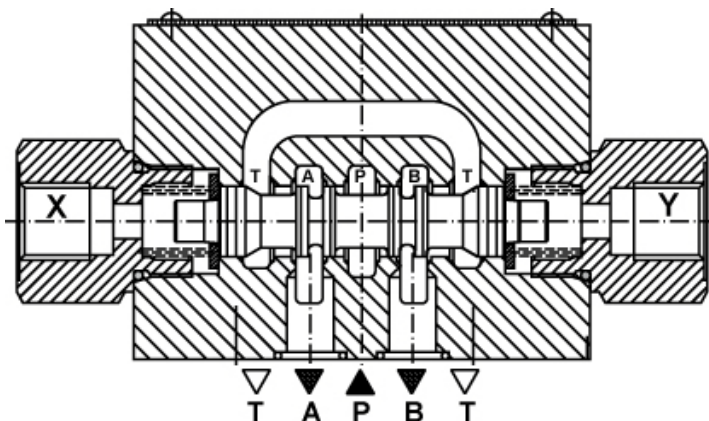
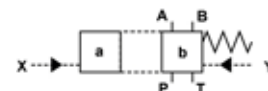
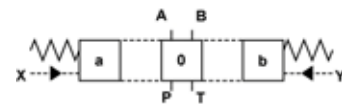
Operation

The KV...-H is a hydraulically controlled 4/3 or 4/2 way directional control valve. The valve is operated by the pilots ports X and Y via the connection of an external pilot pipe direct on the valve body.

The minimum pilot pressure must be ensured for all operating conditions of the directional valve.

Hydraulic symbols

Spool types



Mechanically operated

Hydraulically operated

Features

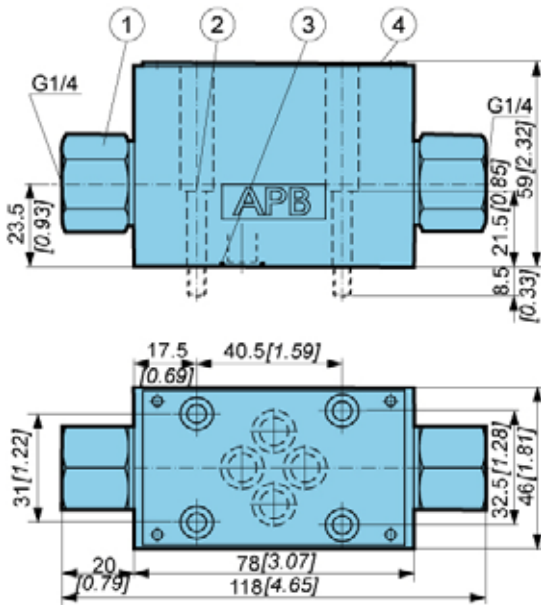
Size		6	10
Flow rate	L/min [GPM]	80 [21.1]	130 [34.3]
Operating pressure	Ports A, B, P	bar [PSI] 350 [5 076]	
	Ports X, Y, T	bar [PSI] 210 [3 045]	
Pilot supply pressure min.	bar [PSI]	10 [145]	
Viscosity range	mm ² /s [SUS]	15 to 380 [69.5 to 1 760]	
Oil temperature range	°C [°F]	-20 to +70 [-4 to 158]	
Filtration	NAS 1638	8	
Mass	kg [lb]	1,4 [3.1]	4,0 [8.8]
Mounting position		Optional	

Electrically operated



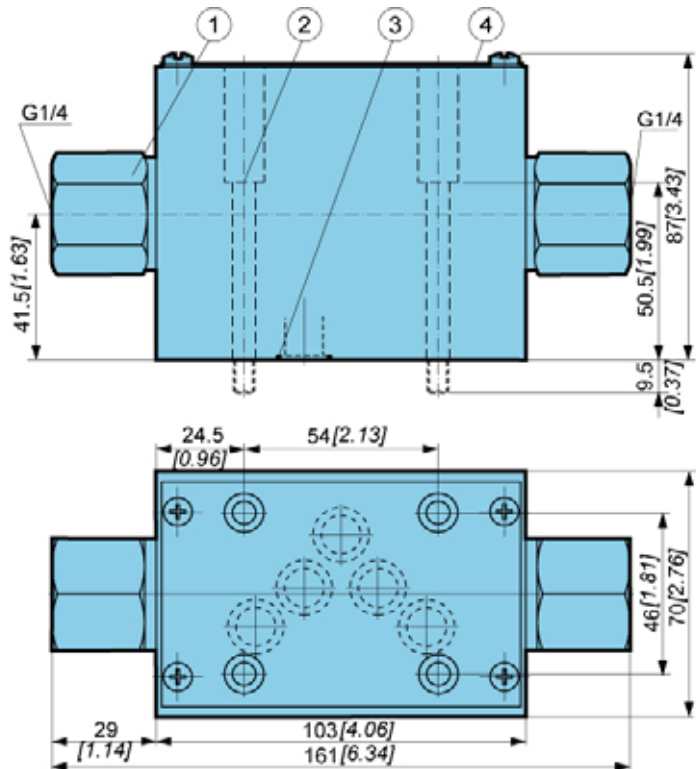
Dimensions

Size 6



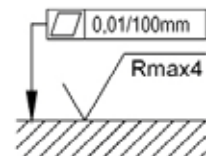
1. Threaded connection X (Y) - G1/4
2. Fixing screws 4 pcs M5x30 to ISO 4762-10.9 (by special order) Required tightening torque Md = 9Nm
3. O-ring 9.25 x 1.78
4. Nameplate.

Size 10



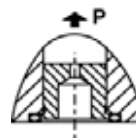
1. Threaded connection X (Y) - G1/4
2. Fixing screws 4 pcs M6x60 to ISO 4762-10.9 (by special order) Required tightening torque Md = 15Nm
3. O-ring 12.42 x 1.78
4. Nameplate.

Required quality of the mating surface.



Cartridge throttle

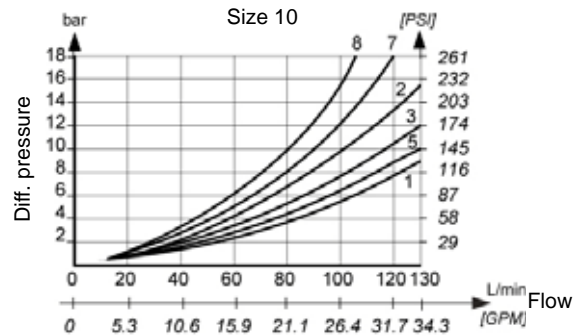
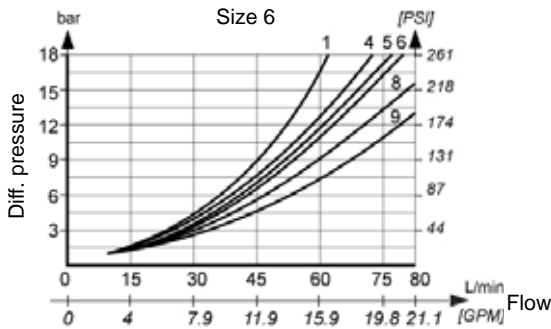
If flow rates greater than permissible occur during change-over, a cartridge throttle must be fitted into P-line of the directional valve.





ΔP-Q Performance curves

Measured at 50°C [122°F] and viscosity of 32 mm²/s [148 SUS].



Spool	P-A	P-B	A-T	B-T	P-T
1	8	8	6	6	-
2	5	5	4	4	1
6	5	5	9	9	-
51A	5	5	1	1	-

Spool	P-A	P-B	A-T	B-T	P-T
1	1	1	5	5	-
2	3	3	2	7	8
6	1	1	2	2	-
51A	1	1	3	3	-

Model code

K V - **4** / **□** - **5 K O** - **□** - **H** **□** - **□** - **□** - *****

Number of control spool position

Two positions	2
Three positions	3

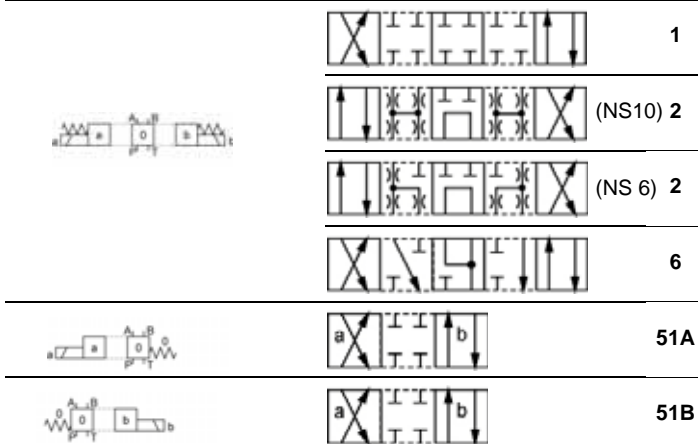
Size

Size 6	6
Size 10	10

Hydraulically operated

Special requirements to be briefly specified

Spool types



Seal type

No designation	NBR seals for mineral oil HL, HLP to DIN 51524
E	FPM seals for HETG, HEES, HEPG to VDMA 24568 and ISO 15380

Throttle mm [in]

No designation	Without throttle in P line
D08	Throttle Ø 0,8 [0.03 dia.]
D10	Throttle Ø 1,0 [0.04 dia.]
D12	Throttle Ø 1,2 [0.05 dia.]

Mechanically operated

Hydraulically operated

Electrically operated