

# + SBF

## 2-WAY HIGH PRESSURE BALL VALVES



### CARBON STEEL

- Type: ball valve SBF ANSI B16.5 
- Body: round
- Material: A105/F316
- Ball seats: from DN13 up to DN150
- O-Rings: NBR, FKM, EPDM, MVQ
- Operating pressure: 20 Bar - 50 Bar - 100 Bar  
150 Bar - 250 Bar - 420 Bar
- Antistatic device
- Fire safe BS 6755

### SBF ANSI600 2" DN50 FB A105 F316 RPTFE NBR RF

Type and way of valve	Valves dimension of pressure (lbs)	Inch	Nominal dimension from DN13 up to DN150	Bore	Body material	Stem material	Ball seat material	Adapter and stem seal material	Flanged
SBF	ANSI2500	from 1/2 up to 6	up to DN150	FB	A105	A105	RPTFE	NBR	RF
Split body	ANSI1500			full bore	LF2	LF2	PEEK	FKM	RTJ
floating	ANSI900			RB		F316	NYLON	EPDM	BW
bolted body	ANSI600			reduce bore		F51	DEVLON	MVQ	FF
	ANSI300					F304	MET-TO-MET		
	ANSI150								

### STAINLESS STEEL

- Type: ball valve SBF ANSI B16.5 
- Body: round
- Material: F316/F51
- Ball seats: from DN13 up to DN150
- O-Rings: NBR, FKM, EPDM, MVQ
- Operating pressure: 20 Bar - 50 Bar - 100 Bar  
150 Bar - 250 Bar - 420 Bar
- Antistatic device
- Fire safe BS 6755

### SBF ANSI600 2" DN50 FB F316 F51 RPTFE NBR RF

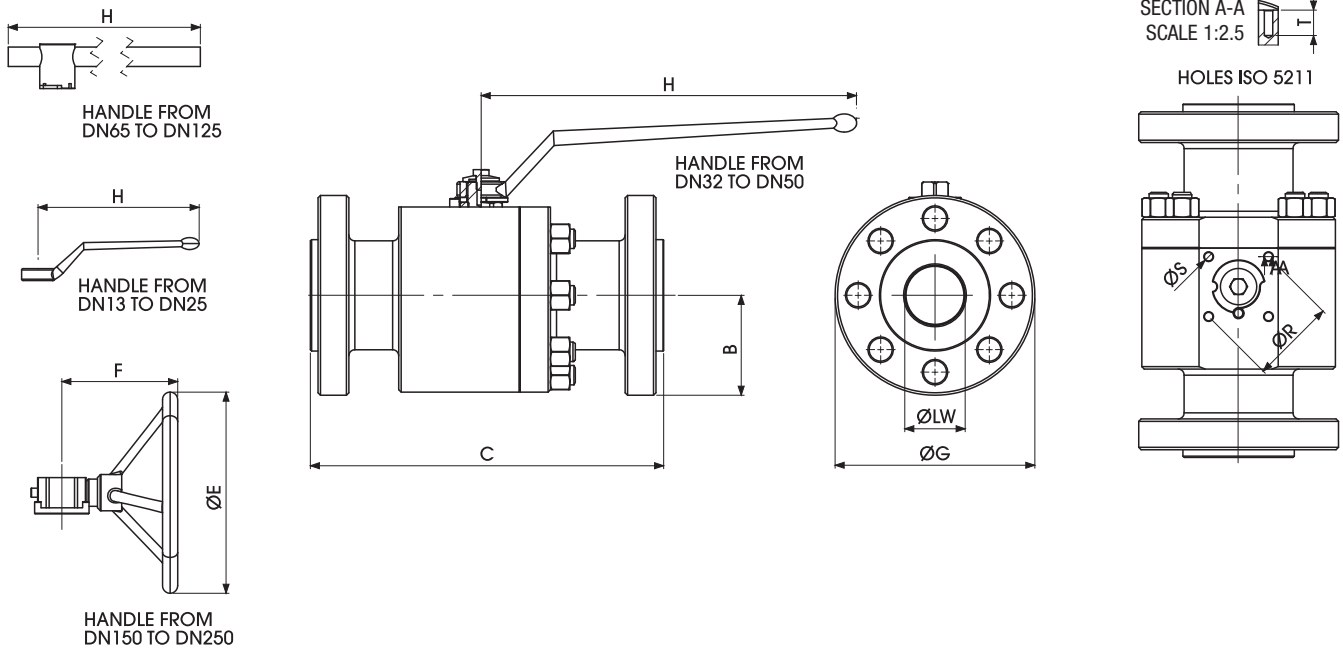
Type and way of valve	Valves dimension of pressure (lbs)	Inch	Nominal dimension from DN13 up to DN150	Bore	Body material	Stem material	Ball seat material	Adapter and stem seal material	Flanged
SBF	ANSI2500	from 1/2 up to 6	up to DN150	FB	F316	A105	RPTFE	NBR	RF
Split body	ANSI1500			full bore	F51	F316	PEEK	FKM	RTJ
floating	ANSI900			RB	F304	F51	NYLON	EPDM	BW
bolted body	ANSI600			reduce bore		F304	DEVLON	MVQ	FF
	ANSI300						MET-TO-MET		
	ANSI150								

SBF



# + SBF150 2-WAY HIGH PRESSURE BALL VALVES

Specialist in Ball Valves



## SPLIT BODY ANSI150 PN20 FULL BORE

COMPONENTS	MATERIAL	MIN/MAX TEMP. (°C)
<b>BODY AND FLANGE</b>	ASTM A105	-20°+60°
	ASTM A182 F316	-60°+230°
	ASTM A350 LF2	-40°+100°
<b>STEM</b>	ASTM A479 Tp316	-60°+230°
<b>BALL</b>	ASTM A182 F316	-60°+230°
<b>STEM SEALS</b>	PTFE	-196°+230°
	GRAPHITE	-
<b>BALL SEATS</b>	RPTFE	-196°+230°
	PEEK	-50°+250°
	NYLON	-40°+90°
	DEVLON	-40°+150°
	METAL-TO-METAL	-60°+230°
<b>O-RING</b>	NBR	-30°+100°
	FKM	-40°+200°
	EPDM	-50°+150°
	MVQ	-50°+150°
<b>STUD/NUT</b>	ASTM A193 B7/Gr. 2H	
	ASTM A193 B8/Gr. 8	
	ASTM A320 L7/Gr. 7	

## PROVISIONS

API-6D ANSI B16.34 Specification for pipeline valves  
 API 598 Valve inspection and test  
 ANSI B.16.34 Steel valves Flanged and butt welding ends  
 ANSI B16.5 Steel pipe flanges and flanged fittings  
 ANSI B16.10 Face to face and end to end dimensions of ferrous valves  
 ASTM American society for testing materials  
 BS 6755 Testing of valves  
 NACE MR-01-75 Sulfide stress cracking resistant metallic materials for oil field equipment  
 UNI EN ISO 9001 quality system  
 DIN/ISO 5211 for mounting  
 BS-5351 steel ball valves for the petroleum, petrochemical and allied industries

# + SBF150 2-WAY HIGH PRESSURE BALL VALVES

www.gemels.it

## SBF 150 FB

Standard

TYPE	PN	DN	INCH	B	C RF	C RTJ	ØG	ØE	F	H	ØLW	ØR	ØS	T	ISO5211
SBF150	2 Mpa	13	1/2	44,5	108	119	89	-	-	110	13	36	M5	12	F03
SBF150	2 Mpa	20	3/4	49,25	117	130	98,5	-	-	120	20	50	M5	12	F03
SBF150	2 Mpa	25	1	54	127	140	108	-	-	120	25	50	M6	15	F05
SBF150	2 Mpa	32	1 1/4	58,75	140	153	117,5	-	-	300	32	50	M6	15	F05
SBF150	2 Mpa	40	1 1/2	63,5	165	178	127	-	-	300	40	70	M8	15	F05
SBF150	2 Mpa	50	2	76,25	178	191	152,5	-	-	300	49	70	M8	15	F05
SBF150	2 Mpa	65	2 1/2	89	191	203	178	-	-	600	63	102	M10	15	F10
SBF150	2 Mpa	80	3	95,25	203	216	190,5	-	-	600	74	102	M10	15	F10
SBF150	2 Mpa	100	4	114,5	229	242	229	-	-	600	100	102	M10	15	F10
SBF150	2 Mpa	150	6	139,8	394	407	279,5	300	180	-	150	125	M12	17	F12

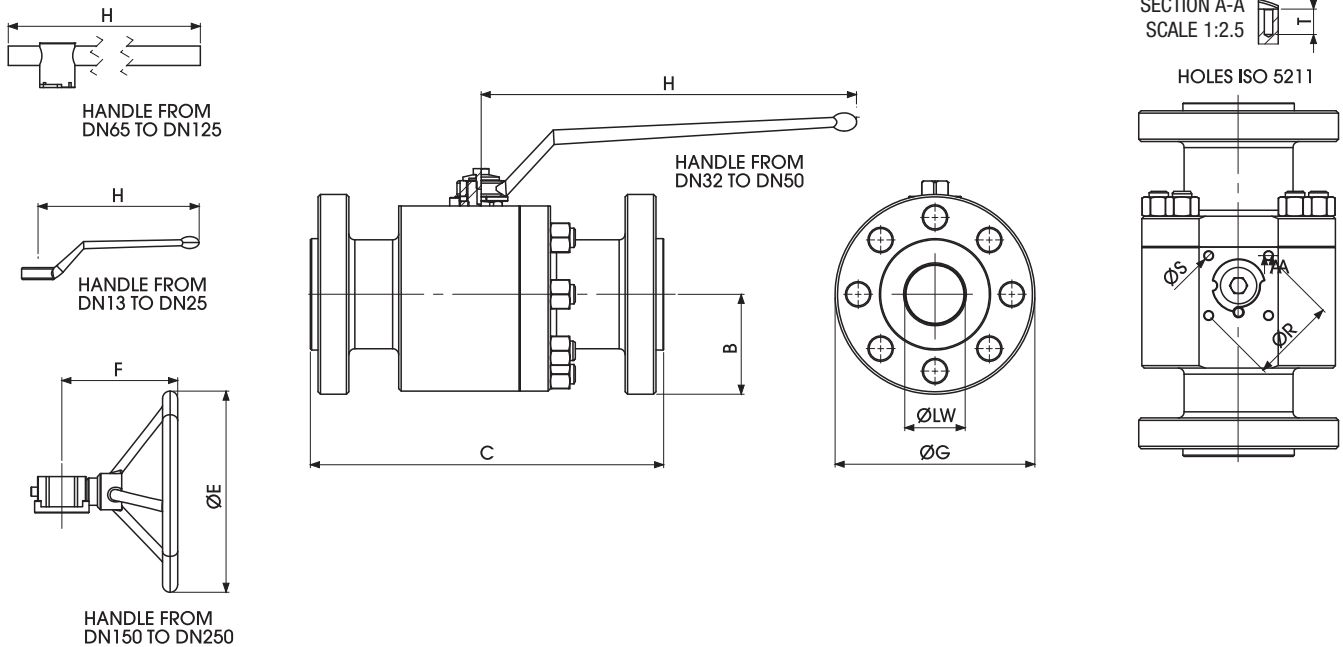
## SBF 150 RB

Standard

TYPE	PN	DN	INCH	B	C RF	C RTJ	ØG	ØE	F	H	ØLW	ØR	ØS	T	ISO5211
SBF150	2 Mpa	13	3/4x1/2	49,25	117	130	98,5	-	-	120	13	50	M5	12	F03
SBF150	2 Mpa	20	1x3/4	54	127	140	108	-	-	120	20	50	M6	15	F05
SBF150	2 Mpa	25	1 1/4x1	58,75	140	153	117,5	-	-	300	25	50	M6	15	F05
SBF150	2 Mpa	32	1 1/2x1 1/4	63,5	165	178	127	-	-	300	32	70	M8	15	F05
SBF150	2 Mpa	40	2x1 1/2	76,25	178	191	152,5	-	-	300	40	70	M8	15	F05
SBF150	2 Mpa	50	2 1/2x2	89	191	203	178	-	-	600	49	102	M10	15	F10
SBF150	2 Mpa	65	3x2 1/2	95,25	203	216	190,5	-	-	600	63	102	M10	15	F10
SBF150	2 Mpa	80	4x3	114,5	229	242	229	-	-	600	74	102	M10	15	F10
SBF150	2 Mpa	100	6x4	139,8	394	407	279,5	300	180	-	100	125	M12	17	F12
SBF150	2 Mpa	150	8x6	171,5	457	470	343	300	180	-	150	125	M12	17	F12

# + SBF300 2-WAY HIGH PRESSURE BALL VALVES

Specialist in Ball Valves



## SPLIT BODY ANSI300 PN50 FULL BORE

COMPONENTS	MATERIAL	MIN/MAX TEMP. (°C)
<b>BODY AND FLANGE</b>	ASTM A105	-20°+60°
	ASTM A182 F316	-60°+230°
	ASTM A350 LF2	-40°+100°
<b>STEM</b>	ASTM A479 Tp316	-60°+230°
<b>BALL</b>	ASTM A182 F316	-60°+230°
<b>STEM SEALS</b>	PTFE	-196°+230°
	GRAPHITE	-
<b>BALL SEATS</b>	RPTFE	-196°+230°
	PEEK	-50°+250°
	NYLON	-40°+90°
	DEVLON	-40°+150°
	METAL-TO-METAL	-60°+230°
<b>O-RING</b>	NBR	-30°+100°
	FKM	-40°+200°
	EPDM	-50°+150°
	MVQ	-50°+150°
<b>STUD/NUT</b>	ASTM A193 B7/Gr. 2H	
	ASTM A193 B8/Gr. 8	
	ASTM A320 L7/Gr. 7	

## PROVISIONS

API-6D ANSI B16.34 Specification for pipeline valves  
 API 598 Valve inspection and test  
 ANSI B.16.34 Steel valves Flanged and butt welding ends  
 ANSI B16.5 Steel pipe flanges and flanged fittings  
 ANSI B16.10 Face to face and end to end dimensions of ferrous valves  
 ASTM American society for testing materials  
 BS 6755 Testing of valves  
 NACE MR-01-75 Sulfide stress cracking resistant metallic materials for oil field equipment  
 UNI EN ISO 9001 quality system  
 DIN/ISO 5211 for mounting  
 BS-5351 steel ball valves for the petroleum, petrochemical and allied industries

# + SBF300 2-WAY HIGH PRESSURE BALL VALVES

www.gemels.it

## SBF 300 FB

Standard

TYPE	PN	DN	INCH	B	C RF	C RTJ	ØG	ØE	F	H	ØLW	ØR	ØS	T	ISO5211
SBF300	5 Mpa	13	1/2	47,6	140	151	95,2	-	-	110	13	36	M5	12	F03
SBF300	5 Mpa	20	3/4	58,75	152	165	117,5	-	-	120	20	50	M5	12	F03
SBF300	5 Mpa	25	1	62	165	178	123,8	-	-	120	25	50	M6	15	F05
SBF300	5 Mpa	32	1 1/4	66,15	178	191	133,3	-	-	300	32	50	M6	15	F05
SBF300	5 Mpa	40	1 1/2	77,8	191	203	155,6	-	-	300	40	70	M8	15	F05
SBF300	5 Mpa	50	2	82,55	216	232	165,1	-	-	300	49	70	M8	15	F05
SBF300	5 Mpa	65	2 1/2	95,25	241	257	190,5	-	-	600	63	102	M10	15	F10
SBF300	5 Mpa	80	3	104,75	283	299	209,5	-	-	600	74	102	M10	15	F10
SBF300	5 Mpa	100	4	127	305	321	254	-	-	600	100	102	M10	15	F10
SBF300	5 Mpa	150	6	158,8	403	419	317,5	300	180	-	150	125	M12	17	F12

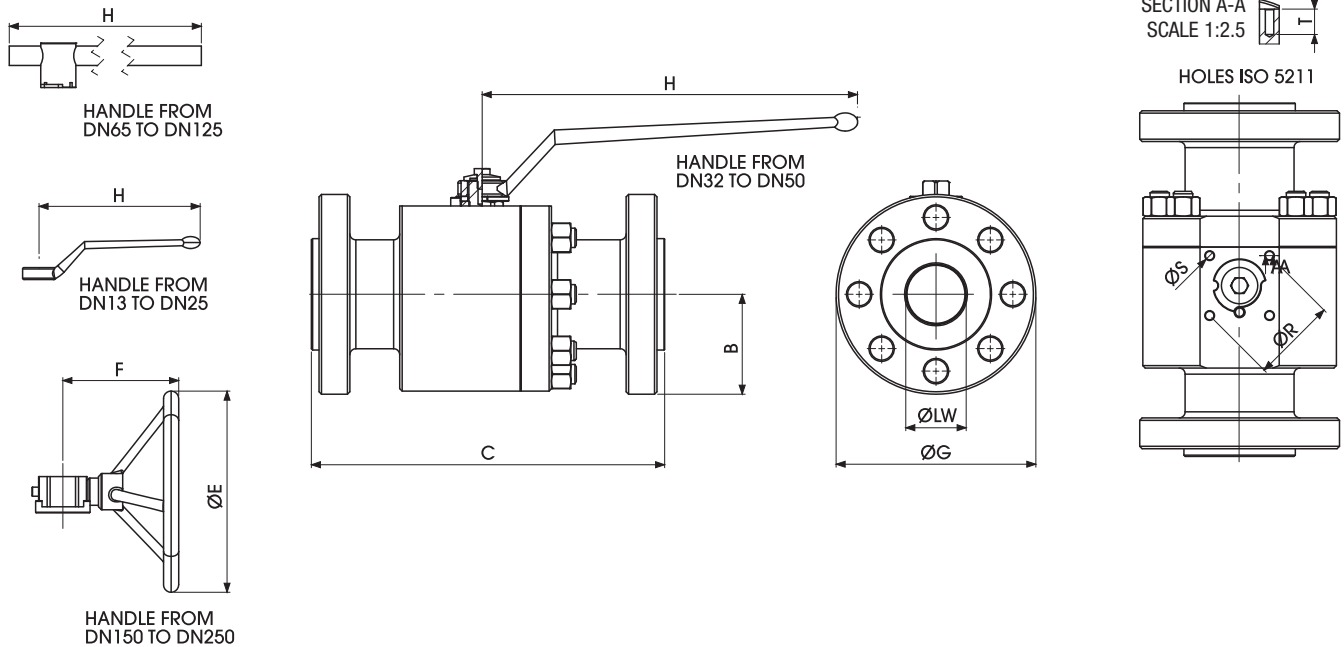
## SBF 300 RB

Standard

TYPE	PN	DN	INCH	B	C RF	C RTJ	ØG	ØE	F	H	ØLW	ØR	ØS	T	ISO5211
SBF300	5 Mpa	13	3/4x1/2	58,75	152	165	117,5	-	-	120	13	50	M5	12	F03
SBF300	5 Mpa	20	1x3/4	62	165	178	123,8	-	-	120	20	50	M6	15	F05
SBF300	5 Mpa	25	1 1/4x1	66,15	178	191	133,3	-	-	300	25	50	M6	15	F05
SBF300	5 Mpa	32	1 1/2x1 1/4	77,8	191	203	155,6	-	-	300	32	70	M8	15	F05
SBF300	5 Mpa	40	2x1 1/2	82,55	216	232	165,1	-	-	300	40	70	M8	15	F05
SBF300	5 Mpa	50	2 1/2x2	95,25	241	257	190,5	-	-	600	49	102	M10	15	F10
SBF300	5 Mpa	65	3x2 1/2	104,75	283	299	209,5	-	-	600	63	102	M10	15	F10
SBF300	5 Mpa	80	4x3	127	305	321	254	-	-	600	74	102	M10	15	F10
SBF300	5 Mpa	100	6x4	158,8	403	419	317,5	300	180	-	100	125	M12	17	F12
SBF300	5 Mpa	150	8x6	190,5	502	518	381	300	180	-	150	125	M12	17	F12

# + SBF600 2-WAY HIGH PRESSURE BALL VALVES

Specialist in Ball Valves



## SPLIT BODY ANSI600 PN100 FULL BORE

COMPONENTS	MATERIAL	MIN/MAX TEMP. (°C)
<b>BODY AND FLANGE</b>	ASTM A105	-20°+60°
	ASTM A182 F316	-60°+230°
	ASTM A350 LF2	-40°+100°
<b>STEM</b>	ASTM A479 Tp316	-60°+230°
<b>BALL</b>	ASTM A182 F316	-60°+230°
<b>STEM SEALS</b>	PTFE	-196°+230°
	GRAPHITE	-
<b>BALL SEATS</b>	RPTFE	-196°+230°
	PEEK	-50°+250°
	NYLON	-40°+90°
	DEVLON	-40°+150°
	METAL-TO-METAL	-60°+230°
<b>O-RING</b>	NBR	-30°+100°
	FKM	-40°+200°
	EPDM	-50°+150°
	MVQ	-50°+150°
<b>STUD/NUT</b>	ASTM A193 B7/Gr. 2H	
	ASTM A193 B8/Gr. 8	
	ASTM A320 L7/Gr. 7	

## PROVISIONS

API-6D ANSI B16.34 Specification for pipeline valves  
 API 598 Valve inspection and test  
 ANSI B.16.34 Steel valves Flanged and butt welding ends  
 ANSI B16.5 Steel pipe flanges and flanged fittings  
 ANSI B16.10 Face to face and end to end dimensions of ferrous valves  
 ASTM American society for testing materials  
 BS 6755 Testing of valves  
 NACE MR-01-75 Sulfide stress cracking resistant metallic materials for oil field equipment  
 UNI EN ISO 9001 quality system  
 DIN/ISO 5211 for mounting  
 BS-5351 steel ball valves for the petroleum, petrochemical and allied industries

# + SBF600 2-WAY HIGH PRESSURE BALL VALVES

www.gemels.it

## SBF 600 FB

Standard

TYPE	PN	DN	INCH	B	C RF	C RTJ	ØG	ØE	F	H	ØLW	ØR	ØS	T	ISO5211
SBF600	10 Mpa	13	1/2	47,6	165	163,5	95,25	-	-	110	13	36	M5	12	F03
SBF600	10 Mpa	20	3/4	58,75	190	190,5	117,5	-	-	120	20	50	M5	12	F03
SBF600	10 Mpa	25	1	62	216	216	124	-	-	120	25	50	M6	15	F05
SBF600	10 Mpa	32	1 1/4	66,75	228,5	228,5	133,5	-	-	300	32	50	M6	15	F05
SBF600	10 Mpa	40	1 1/2	77,75	241	241	155,5	-	-	300	40	70	M8	15	F05
SBF600	10 Mpa	50	2	82,5	292	295,3	165	-	-	300	49	70	M8	15	F05
SBF600	10 Mpa	65	2 1/2	95,25	330	333	190,5	-	-	600	63	102	M10	15	F10
SBF600	10 Mpa	80	3	104,75	356	359	209,5	-	-	600	74	102	M10	15	F10
SBF600	10 Mpa	100	4	136,5	432	435	273	-	-	600	100	102	M10	15	F10
SBF600	10 Mpa	150	6	177,5	559	562	355,5	300	180	-	150	125	M12	17	F12

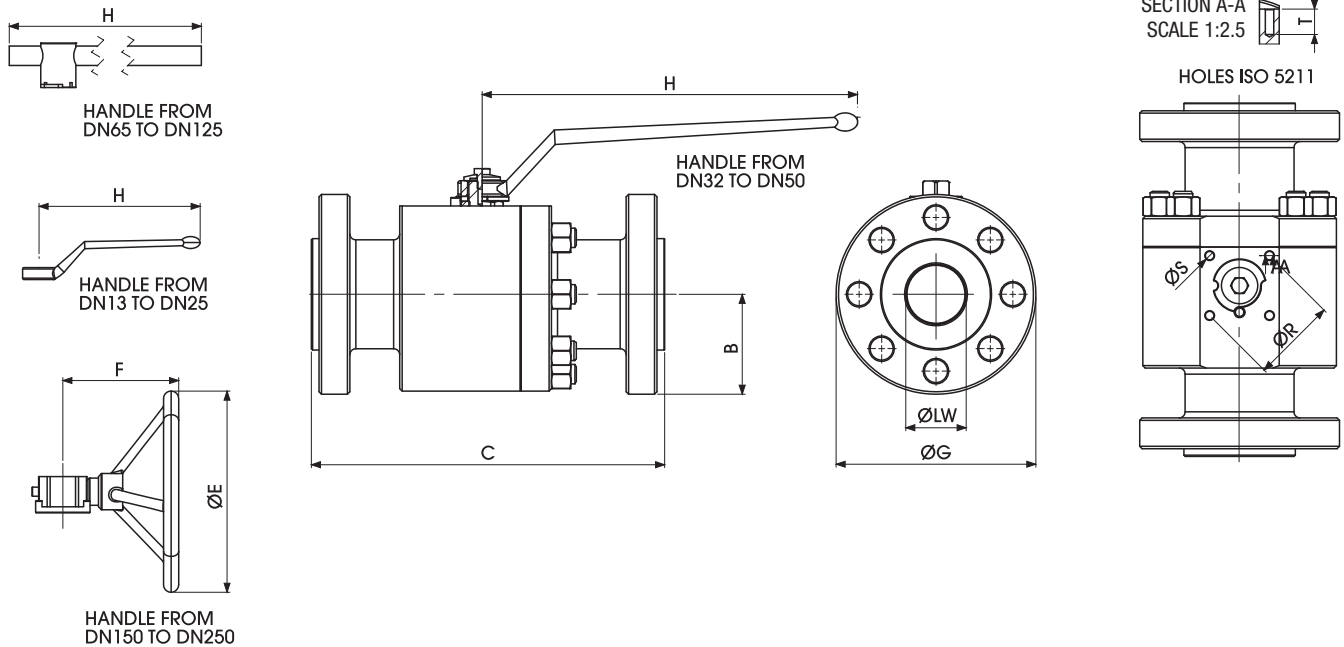
## SBF 600 RB

Standard

TYPE	PN	DN	INCH	B	C RF	C RTJ	ØG	ØE	F	H	ØLW	ØR	ØS	T	ISO5211
SBF600	10 Mpa	13	3/4x1/2	58,75	190	190,5	117,5	-	-	120	13	50	M5	12	F03
SBF600	10 Mpa	20	1x3/4	62	216	216	124	-	-	120	20	50	M6	15	F05
SBF600	10 Mpa	25	1 1/4x1	66,75	228,5	228,5	133,5	-	-	300	25	50	M6	15	F05
SBF600	10 Mpa	32	1 1/2x1 1/4	77,75	241	241	155,5	-	-	300	32	70	M8	15	F05
SBF600	10 Mpa	40	2x1 1/2	82,5	292	295,3	165	-	-	300	40	70	M8	15	F05
SBF600	10 Mpa	50	2 1/2x2	95,25	330	333	190,5	-	-	600	49	102	M10	15	F10
SBF600	10 Mpa	65	3x2 1/2	104,75	356	359	209,5	-	-	600	63	102	M10	15	F10
SBF600	10 Mpa	80	4x3	136,5	432	435	273	-	-	600	74	102	M10	15	F10
SBF600	10 Mpa	100	6x4	177,5	559	562	355,5	300	180	-	100	125	M12	17	F12
SBF600	10 Mpa	150	8x6	209,5	660	663	419	300	180	-	150	125	M12	17	F12

# + SBF900 2-WAY HIGH PRESSURE BALL VALVES

Specialist in Ball Valves



## SPLIT BODY ANSI900 PN150 FULL BORE

COMPONENTS	MATERIAL	MIN/MAX TEMP. (°C)
<b>BODY AND FLANGE</b>	ASTM A105	-20°+60°
	ASTM A182 F316	-60°+230°
	ASTM A350 LF2	-40°+100°
<b>STEM</b>	ASTM A479 Tp316	-60°+230°
<b>BALL</b>	ASTM A182 F316	-60°+230°
<b>STEM SEALS</b>	PTFE	-196°+230°
	GRAPHITE	-
<b>BALL SEATS</b>	RPTFE	-196°+230°
	PEEK	-50°+250°
	NYLON	-40°+90°
	DEVLON	-40°+150°
	METAL-TO-METAL	-60°+230°
<b>O-RING</b>	NBR	-30°+100°
	FKM	-40°+200°
	EPDM	-50°+150°
	MVQ	-50°+150°
<b>STUD/NUT</b>	ASTM A193 B7/Gr. 2H	
	ASTM A193 B8/Gr. 8	
	ASTM A320 L7/Gr. 7	

## PROVISIONS

API-6D ANSI B16.34 Specification for pipeline valves  
 API 598 Valve inspection and test  
 ANSI B.16.34 Steel valves Flanged and butt welding ends  
 ANSI B16.5 Steel pipe flanges and flanged fittings  
 ANSI B16.10 Face to face and end to end dimensions of ferrous valves  
 ASTM American society for testing materials  
 BS 6755 Testing of valves  
 NACE MR-01-75 Sulfide stress cracking resistant metallic materials for oil field equipment  
 UNI EN ISO 9001 quality system  
 DIN/ISO 5211 for mounting  
 BS-5351 steel ball valves for the petroleum, petrochemical and allied industries



# + SBF900 2-WAY HIGH PRESSURE BALL VALVES

www.gemels.it

## SBF 900 FB

Standard

TYPE	PN	DN	INCH	B	C RF	C RTJ	ØG	ØE	F	H	ØLW	ØR	ØS	T	ISO5211
Use Class 1500 dimensions in these size															
SBF 900	15 Mpa	80	3	120,5	381	384	241	-	-	600	74	102	M10	15	F10
SBF 900	15 Mpa	100	4	155,5	457	460	292	-	-	600	100	125	M12	17	F12
SBF 900	15 Mpa	150	6	190,5	610	613	381	300	180	-	150	125	M12	17	F12

## SBF 900 RB

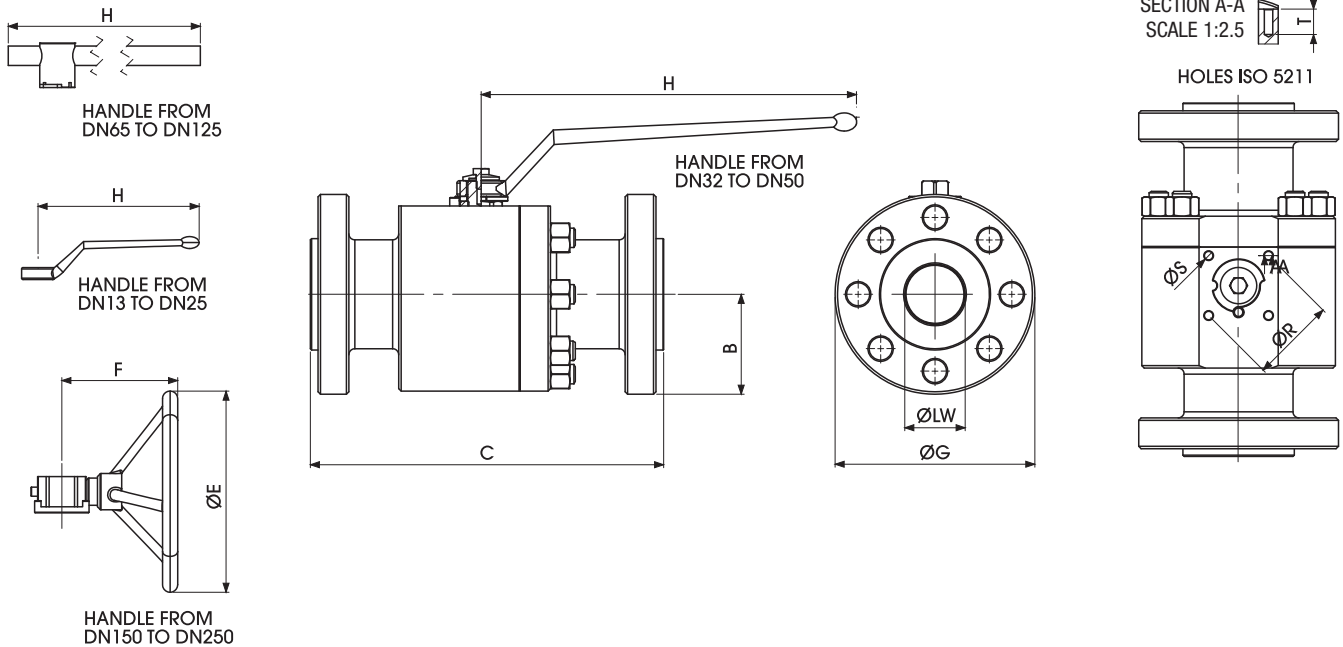
Standard

TYPE	PN	DN	INCH	B	C RF	C RTJ	ØG	ØE	F	H	ØLW	ØR	ØS	T	ISO5211
Use Class 1500 dimensions in these size															
SBF 900	15 Mpa	80	4x3	146	457	460	292	-	-	600	80	125	M12	17	F12
SBF 900	15 Mpa	100	6x4	190,5	610	613	381	300	180	-	100	125	M12	17	F12
SBF 900	15 Mpa	150	8x6	235	737	740	470	300	180	-	150	125	M12	17	F12

# + SBF1500

## 2-WAY HIGH PRESSURE BALL VALVES

Specialist in Ball Valves



### SPLIT BODY ANSI1500 PN250 FULL BORE

COMPONENTS	MATERIAL	MIN/MAX TEMP. (°C)
<b>BODY AND FLANGE</b>	ASTM A105	-20°+60°
	ASTM A182 F316	-60°+230°
	ASTM A350 LF2	-40°+100°
<b>STEM</b>	ASTM A479 Tp316	-60°+230°
<b>BALL</b>	ASTM A182 F316	-60°+230°
<b>STEM SEALS</b>	PTFE	-196°+230°
	GRAPHITE	-
<b>BALL SEATS</b>	RPTFE	-196°+230°
	PEEK	-50°+250°
	NYLON	-40°+90°
	DEVLON	-40°+150°
	METAL-TO-METAL	-60°+230°
<b>O-RING</b>	NBR	-30°+100°
	FKM	-40°+200°
	EPDM	-50°+150°
	MVQ	-50°+150°
<b>STUD/NUT</b>	ASTM A193 B7/Gr. 2H	
	ASTM A193 B8/Gr. 8	
	ASTM A320 L7/Gr. 7	

### PROVISIONS

API-6D ANSI B16.34 Specification for pipeline valves  
 API 598 Valve inspection and test  
 ANSI B.16.34 Steel valves Flanged and butt welding ends  
 ANSI B16.5 Steel pipe flanges and flanged fittings  
 ANSI B16.10 Face to face and end to end dimensions of ferrous valves  
 ASTM American society for testing materials  
 BS 6755 Testing of valves  
 NACE MR-01-75 Sulfide stress cracking resistant metallic materials for oil field equipment  
 UNI EN ISO 9001 quality system  
 DIN/ISO 5211 for mounting  
 BS-5351 steel ball valves for the petroleum, petrochemical and allied industries

# + SBF1500

## 2-WAY HIGH PRESSURE BALL VALVES

www.gemels.it

### SBF 1500 FB

Standard

TYPE	PN	DN	INCH	B	C RF	C RTJ	ØG	ØE	F	H	ØLW	ØR	ØS	T	ISO5211
SBF 1500	25 Mpa	13	1/2	60,5	229	229	121	-	-	110	13	36	M5	15	F03
SBF 1500	25 Mpa	20	3/4	65	254	254	130	-	-	120	19	50	M6	15	F05
SBF 1500	25 Mpa	25	1	74,5	279	279	149	-	-	120	25	50	M6	15	F05
SBF 1500	25 Mpa	32	1 1/4	79,5	292	292	159	-	-	300	32	70	M8	15	F07
SBF 1500	25 Mpa	40	1 1/2	89	305	305	178	-	-	300	38	70	M8	15	F07
SBF 1500	25 Mpa	50	2	108	368	371	216	-	-	300	49	102	M10	15	F10
SBF 1500	25 Mpa	65	2 1/2	122	419	422	244	-	-	600	62	102	M10	15	F10
SBF 1500	25 Mpa	80	3	133,5	470	473	267	-	-	600	74	102	M10	15	F10
SBF 1500	25 Mpa	100	4	155,5	546	549	311	-	-	600	100	125	M12	17	F12
SBF 1500	25 Mpa	150	6	197	705	711	394	300	180	-	144	125	M12	17	F12

### SBF 1500 RB

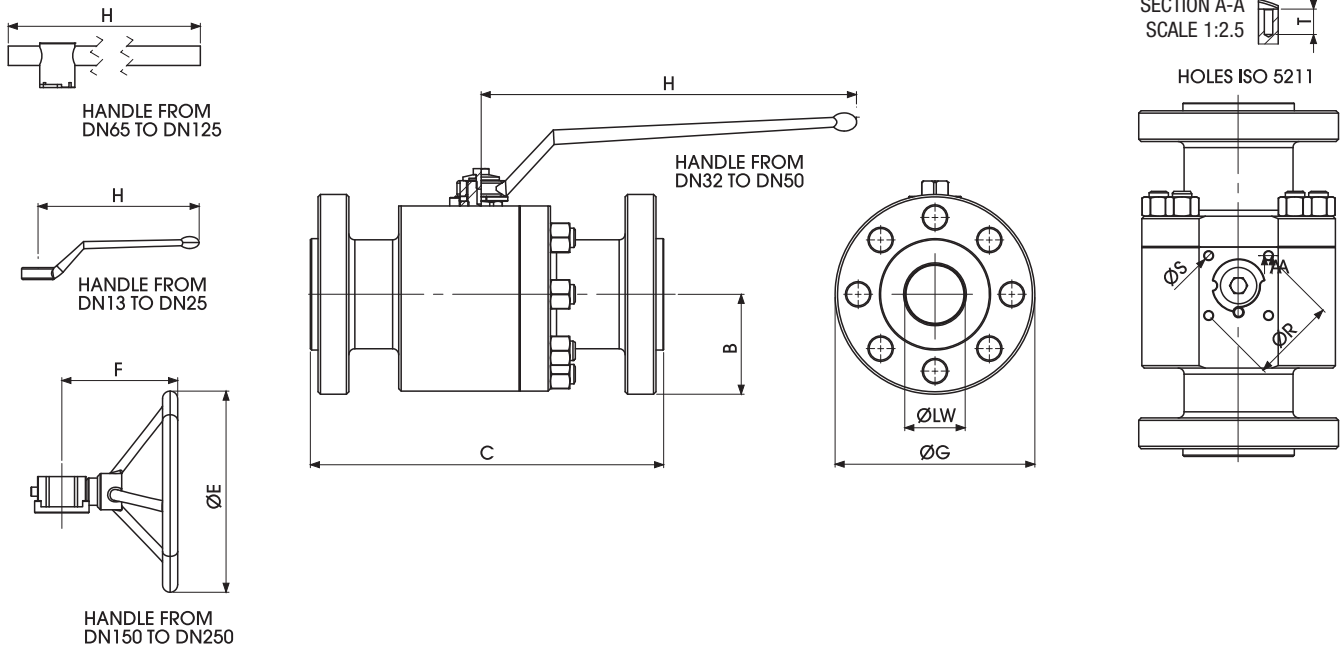
Standard

TYPE	PN	DN	INCH	B	C RF	C RTJ	ØG	ØE	F	H	ØLW	ØR	ØS	T	ISO5211
SBF 1500	25 Mpa	13	3/4x1/2	65	254	254	130	-	-	120	13	50	M6	15	F05
SBF 1500	25 Mpa	20	1x3/4	74,5	279	279	149	-	-	120	19	50	M6	15	F05
SBF 1500	25 Mpa	25	1 1/4x1	79,5	292	292	159	-	-	300	25	50	M6	15	F05
SBF 1500	25 Mpa	32	1 1/2x1 1/4	89	305	305	178	-	-	300	32	70	M8	15	F07
SBF 1500	25 Mpa	40	2x1 1/2	108	368	371	216	-	-	300	38	70	M8	15	F07
SBF 1500	25 Mpa	50	2 1/2x2	122	419	422	244	-	-	600	49	102	M10	15	F10
SBF 1500	25 Mpa	65	3x2 1/2	133,5	470	473	267	-	-	600	62	102	M10	15	F10
SBF 1500	25 Mpa	80	4x3	155,5	546	549	311	-	-	600	74	102	M10	15	F10
SBF 1500	25 Mpa	100	6x4	197	705	711	394	300	180	-	100	125	M12	17	F12
SBF 1500	25 Mpa	150	8x6	241,5	832	841	483	300	180	-	144	125	M12	17	F12

# + SBF2500

## 2-WAY HIGH PRESSURE BALL VALVES

Specialist in Ball Valves



### SPLIT BODY ANSI2500 PN420 FULL BORE

COMPONENTS	MATERIAL	MIN/MAX TEMP. (°C)
<b>BODY AND FLANGE</b>	ASTM A105	-20°+60°
	ASTM A182 F316	-60°+230°
	ASTM A350 LF2	-40°+100°
<b>STEM</b>	ASTM A479 Tp316	-60°+230°
<b>BALL</b>	ASTM A182 F316	-60°+230°
<b>STEM SEALS</b>	PTFE	-196°+230°
	GRAPHITE	-
<b>BALL SEATS</b>	RPTFE	-196°+230°
	PEEK	-50°+250°
	NYLON	-40°+90°
	DEVLON	-40°+150°
	METAL-TO-METAL	-60°+230°
<b>O-RING</b>	NBR	-30°+100°
	FKM	-40°+200°
	EPDM	-50°+150°
	MVQ	-50°+150°
<b>STUD/NUT</b>	ASTM A193 B7/Gr. 2H	
	ASTM A193 B8/Gr. 8	
	ASTM A320 L7/Gr. 7	

### PROVISIONS

API-6D ANSI B16.34 Specification for pipeline valves  
 API 598 Valve inspection and test  
 ANSI B.16.34 Steel valves Flanged and butt welding ends  
 ANSI B16.5 Steel pipe flanges and flanged fittings  
 ANSI B16.10 Face to face and end to end dimensions of ferrous valves  
 ASTM American society for testing materials  
 BS 6755 Testing of valves  
 NACE MR-01-75 Sulfide stress cracking resistant metallic materials for oil field equipment  
 UNI EN ISO 9001 quality system  
 DIN/ISO 5211 for mounting  
 BS-5351 steel ball valves for the petroleum, petrochemical and allied industries

# + SBF2500

## 2-WAY HIGH PRESSURE BALL VALVES

www.gemels.it

### SBF 2500 FB

Standard

TYPE	PN	DN	INCH	B	C RF	C RTJ	ØG	ØE	F	H	ØLW	R	S	T	ISO5211
SBF 2500	42 Mpa	13	1/2	66,5	264	264	133	-	-	110	13	36	M5	15	F03
SBF 2500	42 Mpa	20	3/4	70	273	273	140	-	-	120	19	50	M6	15	F05
SBF 2500	42 Mpa	25	1	79,5	308	308	159	-	-	120	25	50	M6	15	F05
SBF 2500	42 Mpa	32	1 1/4	92	356	356	184	-	-	300	32	70	M8	15	F07
SBF 2500	42 Mpa	40	1 1/2	101,5	387	387	203	-	-	300	38	70	M8	15	F07
SBF 2500	42 Mpa	50	2	117,5	451	454	235	-	-	300	42	102	M10	15	F10
SBF 2500	42 Mpa	65	2 1/2	133,5	508	511	267	-	-	600	52	102	M10	15	F10
SBF 2500	42 Mpa	80	3	152,5	578	584	305	-	-	600	62	102	M10	15	F10
SBF 2500	42 Mpa	100	4	178	673	683	356	-	-	600	87	125	M12	17	F12
SBF 2500	42 Mpa	150	6	241,5	914	927	483	300	180	-	131	125	M12	17	F12

### SBF 2500 RB

Standard

TYPE	PN	DN	INCH	B	C RF	C RTJ	ØG	ØE	F	H	ØLW	R	S	T	ISO5211
SBF 2500	42 Mpa	13	3/4x1/2	70	273	273	140	-	-	120	13	50	M6	15	F05
SBF 2500	42 Mpa	20	1x3/4	79,5	308	308	159	-	-	120	19	50	M6	15	F05
SBF 2500	42 Mpa	25	1 1/4x1	92	356	356	184	-	-	300	25	70	M8	15	F07
SBF 2500	42 Mpa	32	1 1/2x1 1/4	101,5	387	387	203	-	-	300	32	70	M8	15	F07
SBF 2500	42 Mpa	40	2x1 1/2	117,5	451	454	235	-	-	300	38	102	M10	15	F10
SBF 2500	42 Mpa	50	2 1/2x2	133,5	508	511	267	-	-	600	42	102	M10	15	F10
SBF 2500	42 Mpa	65	3x2 1/2	152,5	578	584	305	-	-	600	52	102	M10	15	F10
SBF 2500	42 Mpa	80	4x3	178	673	683	356	-	-	600	62	125	M12	17	F12
SBF 2500	42 Mpa	100	6x4	241,5	914	927	483	300	180	-	87	125	M12	17	F12
SBF 2500	42 Mpa	150	8x6	275	1022	1038	550	300	180	-	131	125	M12	17	F12

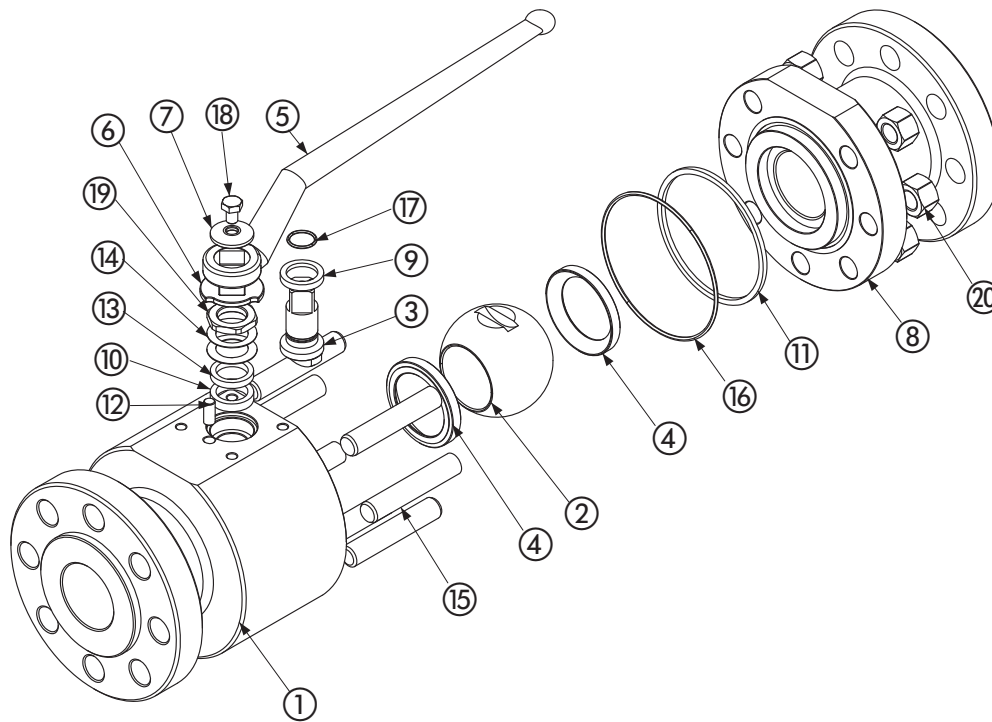




# + SBF 2-WAY HIGH PRESSURE BALL VALVES

www.gemels.it

2014 - Edition 2



## Carbon steel

Pos	Description	Material	Q.tà
1	Body	1,0570	1
2	Ball	1,4462	1
3	Stem	1,4462	1
4	Ball seat	PTFE	2
5	Handle	1,0116	1
6	Washer	1,4301	1
7	Washer	1,4301	1
8	Flange	1,0570	1
9	Stem ring	PTFE	1
10	Up ring	GRAPHITE	1
11	Flange ring	GRAPHITE	1
12	Spine	1,4301	1
13	Press ring	1,4301	1
14	Spring	1,4301	2
15	Bolts	ASTM A193 B7	8
16	Flange o-ring	NBR	1
17	Stem o-ring	NBR	1
18	Screw	DIN6921 A2	1
19	Nut	1,4301	1
20	Nut	ASTM A194 Gr. H2	8

## Stainless steel

Pos	Description	Material	Q.tà
1	Body	1,4404	1
2	Ball	1,4462	1
3	Stem	1,4462	1
4	Ball seat	PTFE	2
5	Handle	1,4301	1
6	Washer	1,4301	1
7	Washer	1,4301	1
8	Flange	1,4404	1
9	Stem ring	PTFE	1
10	Up ring	GRAPHITE	1
11	Flange ring	GRAPHITE	1
12	Spine	1,4301	1
13	Press ring	1,4301	1
14	Spring	1,4301	2
15	Bolts	ASTM A193 B7	8
16	Flange o-ring	NBR	1
17	Stem o-ring	NBR	1
18	Screw	DIN6921 A2	1
19	Nut	1,4301	1
20	Nut	ASTM A194 Gr. H2	8

For further special requests please consult our technical/commercial service

On request

- Reduced bore
- O-Ring in FKM, EPDM, HNBR, KALREZ
- Seals in PTFE, PEEK, PA612, GEMPTFE, METAL TO METAL
- Pressure class ANSI 150-300-600 900-1500-2500
- Pneumatic and electrical actuator
- Locking device

On request

- Reduced bore
- O-Ring in FKM, EPDM, HNBR, KALREZ
- Seals in PTFE, PEEK, PA612, GEMPTFE, METAL TO METAL
- Pressure class ANSI 150-300-600 900-1500-2500
- Pneumatic and electrical actuator
- Locking device