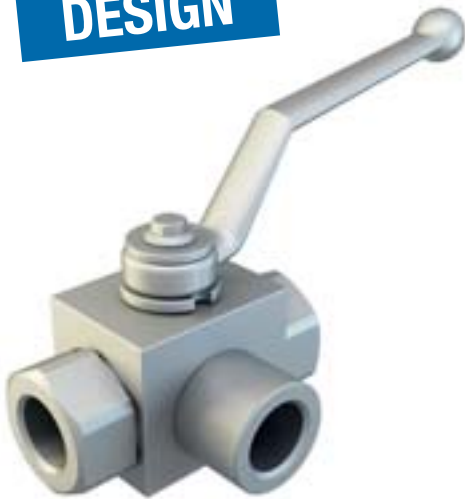


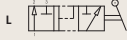
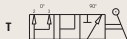
+ GE5

3-WAY HIGH PRESSURE BALL VALVES

SMALLER DESIGN



CARBON STEEL

- Type: ball valve GE 3 way 
- Body: block 
- Material: 1,0737
- Ball seats: from DN4 up to DN13
- O-Rings: NBR, FKM, EPDM, MVQ
- Operating pressure: 500 Bar depending on valve size and seal materials selected
- Temp range: -20°C to +100°C depending on seal material selected

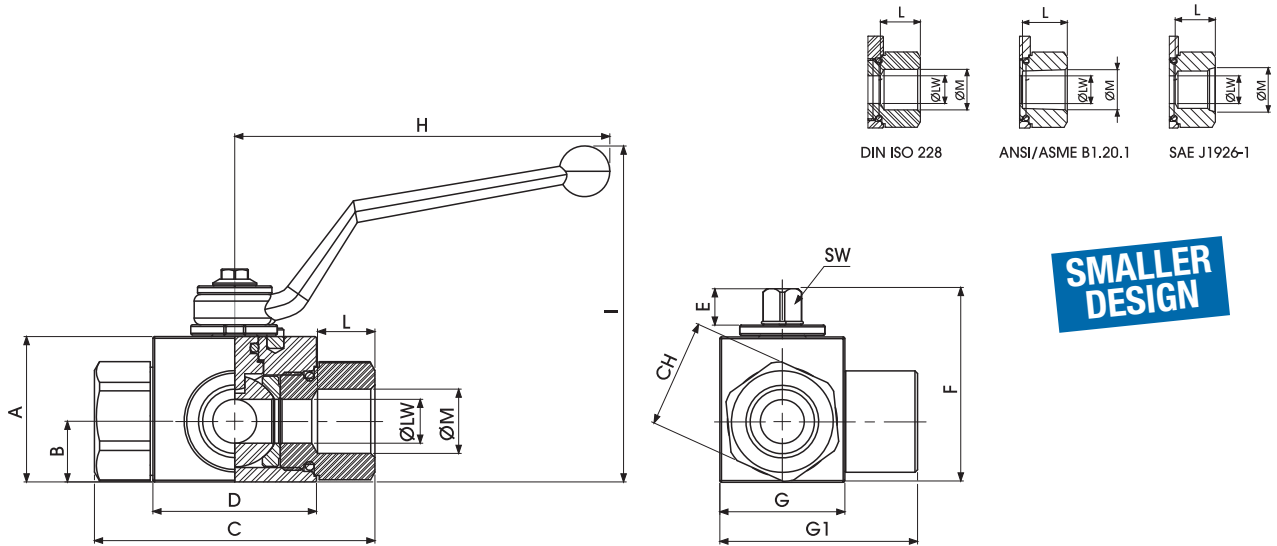
| GE5 | G 3/8 | | | DN10 | 1 | 1 | 1 | 1 | A | B |
|-----------------------|---------------------------|-----------------------------|----------------|----------------------|------------------|---------------------|------------------|------------------|---|--------------------------------------|
| Type and way of valve | GAS DIN/ISO 228 BSP | NPT ANSI/ASME B1.20.1 | SAE J1926-1 | Nominal dimension | Body material | Adapter material | Stem material | Ball material | Ball seat material | Adapter and stem seal material |
| GE3 3-way | G 1/4 | N 1/4 | SAE4 | DN4 | 1 1,0737 | 1 1,0737 | 1 1,0737 | 1 1,0737 | A POM D PEEK G PA612 K GEMPTFE C PTFE | B NBR E FKM F EPDM L MVQ |
| | G 3/8 | N 3/8 | SAE6 | DN6 | | | | | | |
| | G 1/2 | N 1/2 | SAE8 | DN10 DN13 | | | | | | |



+ GE5

3-WAY HIGH PRESSURE BALL VALVES

Specialist in Ball Valves



GE5 DIN/ISO 228 BSP

Standard

CARBON STEEL

| TYPE | PN | DN | A | B | C | D | E | F | G | G1 | H | I | L | ØM | CH | SW | ØLW | KG | ITEM CODE |
|-----------|--------|----|----|------|----|------|------|------|----|----|-----|----|------|-------|----|----|-----|-------|-----------------|
| GE5 G 1/4 | 50 MPa | 6 | 33 | 14,3 | 69 | 39,4 | 10,8 | 47,3 | 26 | 42 | 111 | 90 | 14,8 | G 1/4 | 22 | 9 | 6 | 0,411 | GE5GGT15011A000 |
| GE5 G 3/8 | 50 MPa | 10 | 35 | 15 | 71 | 41,8 | 10,8 | 49,3 | 30 | 46 | 111 | 92 | 14,6 | G 3/8 | 27 | 9 | 10 | 0,512 | GE5GGT25011A000 |
| GE5 G 1/2 | 50 MPa | 13 | 40 | 18,3 | 83 | 44,4 | 10,8 | 54,3 | 35 | 54 | 111 | 97 | 19,3 | G 1/2 | 30 | 9 | 13 | 0,693 | GE5GGT35011A000 |

GE5 ANSI/ASME B1.20.1 NPT

Standard

CARBON STEEL

| TYPE | PN | DN | A | B | C | D | E | F | G | G1 | H | I | L | ØM | CH | SW | ØLW | KG | ITEM CODE |
|-----------|--------|----|----|------|----|------|------|------|----|----|-----|----|------|-------|----|----|-----|-------|-----------------|
| GE5 N 1/4 | 50 MPa | 6 | 33 | 14,3 | 69 | 39,4 | 10,8 | 47,3 | 26 | 42 | 111 | 90 | 14,8 | N 1/4 | 24 | 9 | 6 | 0,411 | GE5NNT15011A000 |
| GE5 N 3/8 | 50 MPa | 10 | 35 | 15 | 71 | 41,8 | 10,8 | 49,3 | 30 | 46 | 111 | 92 | 14,6 | N 3/8 | 30 | 9 | 10 | 0,512 | GE5NNT25011A000 |
| GE5 N 1/2 | 50 MPa | 13 | 40 | 18,3 | 83 | 44,4 | 10,8 | 54,3 | 35 | 54 | 111 | 97 | 19,3 | N 1/2 | 32 | 9 | 13 | 0,693 | GE5NNT35011A000 |

GE5 SAE J1926-1

Standard

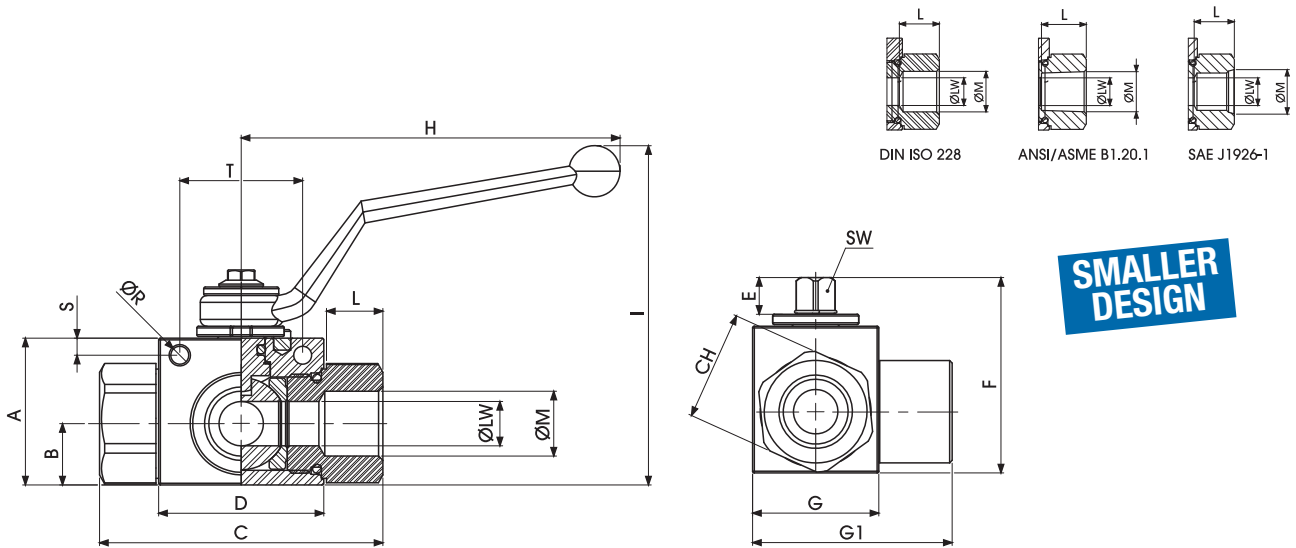
CARBON STEEL

| TYPE | PN | DN | A | B | C | D | E | F | G | G1 | H | I | L | ØM | CH | SW | ØLW | KG | ITEM CODE |
|----------|--------|----|----|------|----|------|------|------|----|----|-----|----|------|----------|----|----|-----|-------|-----------------|
| GE5 SAE4 | 50 MPa | 6 | 33 | 14,3 | 69 | 39,4 | 10,8 | 47,3 | 26 | 42 | 111 | 90 | 14,8 | 7/16 UNF | 24 | 9 | 6 | 0,411 | GE5EEE05011A000 |
| GE5 SAE6 | 50 MPa | 10 | 35 | 15 | 71 | 41,8 | 10,8 | 49,3 | 30 | 46 | 111 | 92 | 14,6 | 9/16 UNF | 30 | 9 | 10 | 0,512 | GE5EEE15011A000 |
| GE5 SAE8 | 50 MPa | 13 | 40 | 18,3 | 83 | 44,4 | 10,8 | 54,3 | 35 | 54 | 111 | 97 | 19,3 | 3/4 UNF | 32 | 9 | 13 | 0,693 | GE5EEE25011A000 |

+ GE5

3-WAY HIGH PRESSURE BALL VALVES

www.gemels.it



GE5 DIN/ISO 228 BSP

Fixing holes

CARBON STEEL

| TYPE | PN | DN | A | B | C | D | E | F | G | G1 | H | I | L | ØM | CH | ØR | S | T | SW | ØLW | KG | ITEM CODE |
|-----------|--------|----|----|------|----|------|------|------|----|----|-----|----|------|-------|----|------|-----|----|----|-----|-------|-----------------|
| GE5 G 1/4 | 50 MPa | 6 | 33 | 14,3 | 69 | 39,4 | 10,8 | 47,3 | 26 | 42 | 111 | 90 | 14,8 | G 1/4 | 22 | 5,25 | 4,5 | 33 | 9 | 6 | 0,411 | GE5GGT15011AF10 |
| GE5 G 3/8 | 50 MPa | 10 | 35 | 15 | 71 | 41,8 | 10,8 | 49,3 | 30 | 46 | 111 | 92 | 14,6 | G 3/8 | 27 | 5,25 | 4,5 | 33 | 9 | 10 | 0,512 | GE5GGT25011AF10 |
| GE5 G 1/2 | 50 MPa | 13 | 40 | 18,3 | 83 | 44,4 | 10,8 | 54,3 | 35 | 54 | 111 | 97 | 19,3 | G 1/2 | 30 | 5,25 | 4,5 | 33 | 9 | 13 | 0,693 | GE5GGT35011AF10 |

GE5 ANSI/ASME B1.20.1 NPT

Fixing holes

CARBON STEEL

| TYPE | PN | DN | A | B | C | D | E | F | G | G1 | H | I | L | ØM | CH | ØR | S | T | SW | ØLW | KG | ITEM CODE |
|-----------|--------|----|----|------|----|------|------|------|----|----|-----|----|------|-------|----|------|-----|----|----|-----|-------|-----------------|
| GE5 N 1/4 | 50 MPa | 6 | 33 | 14,3 | 69 | 39,4 | 10,8 | 47,3 | 26 | 42 | 111 | 90 | 14,8 | N 1/4 | 22 | 5,25 | 4,5 | 33 | 9 | 6 | 0,411 | GE5NNT15011AF10 |
| GE5 N 3/8 | 50 MPa | 10 | 35 | 15 | 71 | 41,8 | 10,8 | 49,3 | 30 | 46 | 111 | 92 | 14,6 | N 3/8 | 27 | 5,25 | 4,5 | 33 | 9 | 10 | 0,512 | GE5NNT25011AF10 |
| GE5 N 1/2 | 50 MPa | 13 | 40 | 18,3 | 83 | 44,4 | 10,8 | 54,3 | 35 | 54 | 111 | 97 | 19,3 | N 1/2 | 30 | 5,25 | 4,5 | 33 | 9 | 13 | 0,693 | GE5NNT35011AF10 |

GE5 SAE J1926-1

Fixing holes

CARBON STEEL

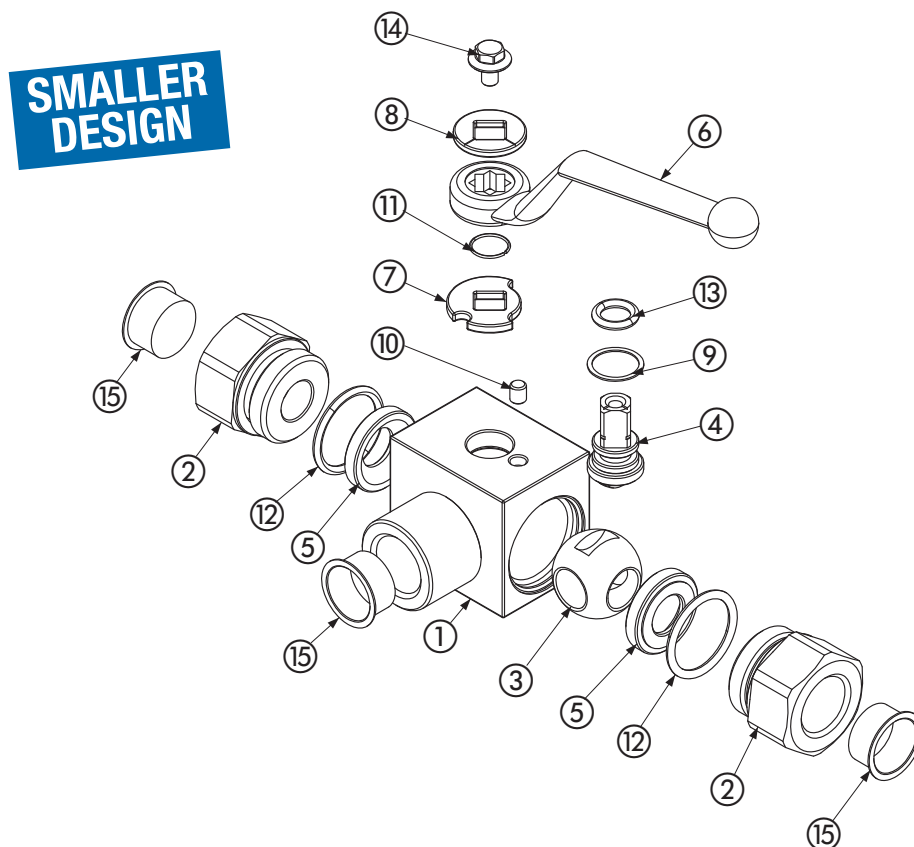
| TYPE | PN | DN | A | B | C | D | E | F | G | G1 | H | I | L | ØM | CH | ØR | S | T | SW | ØLW | KG | ITEM CODE |
|----------|--------|----|----|------|----|------|------|------|----|----|-----|----|------|----------|----|------|-----|----|----|-----|-------|-----------------|
| GE5 SAE4 | 50 MPa | 6 | 33 | 14,3 | 69 | 39,4 | 10,8 | 47,3 | 26 | 42 | 111 | 90 | 14,8 | 7/16 UNF | 22 | 5,25 | 4,5 | 33 | 9 | 6 | 0,411 | GE5EEE05011AF10 |
| GE5 SAE6 | 50 MPa | 10 | 35 | 15 | 71 | 41,8 | 10,8 | 49,3 | 30 | 46 | 111 | 92 | 14,6 | 9/16 UNF | 27 | 5,25 | 4,5 | 33 | 9 | 10 | 0,512 | GE5EEE15011AF10 |
| GE5 SAE8 | 50 MPa | 13 | 40 | 18,3 | 83 | 44,4 | 10,8 | 54,3 | 35 | 54 | 111 | 97 | 19,3 | 3/4 UNF | 30 | 5,25 | 4,5 | 33 | 9 | 13 | 0,693 | GE5EEE25011AF10 |

+ GE5

3-WAY HIGH PRESSURE BALL VALVES

www.gemels.it

2014 - Edition 2



Carbon steel

| Pos | Description | Material | Q.tà |
|-----|----------------|--------------|------|
| 1 | Body | 1,0737 | 1 |
| 2 | Adapter | 1,0737 | 2 |
| 3 | Ball | 1,0737 | 1 |
| 4 | Stem | 1,0737 | 1 |
| 5 | Ball seat | POM | 2 |
| 6 | Handle | ZINC | 1 |
| 7 | Washer | 1,0116 | 1 |
| 8 | Washer | 1,0116 | 1 |
| 9 | Stem ring | POM | 1 |
| 10 | Spine | 1,0737 | 1 |
| 11 | Seeger | 1,4301 | 1 |
| 12 | Adapter o-ring | NBR | 2 |
| 13 | Stem o-ring | NBR | 1 |
| 14 | Screw | Din 6921 8.8 | 1 |
| 15 | Caps | PVC | 3 |

For further special requests please consult our technical/commercial service

- On request**
- Reduced bore
 - O-Ring in FKM, EPDM, HNBR, KALREZ
 - Seals in PTFE, PEEK, PA612, GEMPTFE, METAL TO METAL
 - Special threads
 - Stem in stainless steel 1,4404
 - Ball in stainless steel 1,4404
 - Pressure class up to PN50 MPa
 - Pneumatic and electrical actuator
 - Security block
 - Locking device