



# RPC1-\*/4M

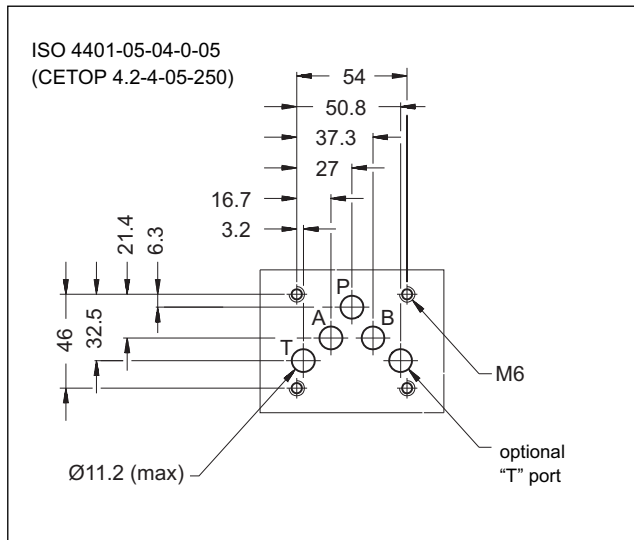
## FLOW CONTROL VALVE

### SERIES 10

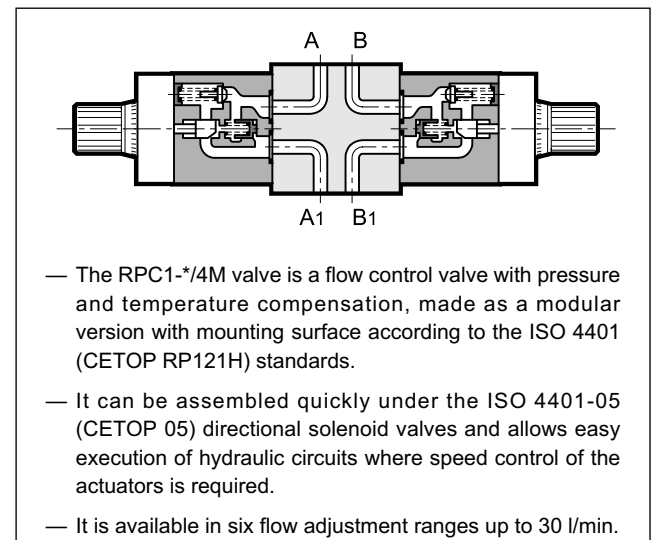
**MODULAR VERSION**  
**ISO 4401-05 (CETOP 05)**

**p** max **250** bar  
**Q** max (see table of performances)

#### MOUNTING INTERFACE



#### OPERATING PRINCIPLE

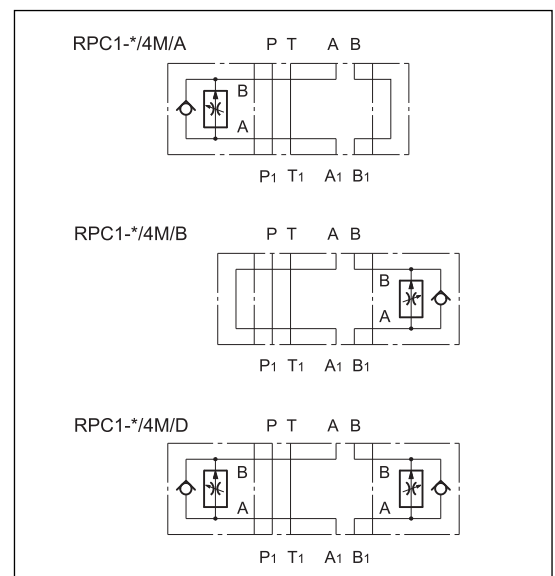


#### CONFIGURATIONS (see Hydraulic symbols table and Identification Code - par. 1)

#### PERFORMANCES (measured with mineral oil of viscosity 36cSt at 50°C)

Maximum operating pressure	bar	250
Maximum flow rate in controlled lines	l/min	1-4-10-16-22-30
Maximum flow rate in the free lines		100
Reverse free flow maximum flowrate		40
Ambient temperature range	°C	-20 / +50
Fluid temperature range	°C	-20 / +80
Fluid viscosity range	cSt	10 ÷ 400
Fluid contamination degree	According to ISO 4406:1999 class 20/18/15	
Recommended viscosity	cSt	25
Mass: RPC1*/4M/ A-B	kg	4,3
RPC1*/4M/ D		5,6
only modular block ISO 4401-05 without flow control valves: RPC1-K/4M/D		3

#### HYDRAULIC SYMBOLS



**NOTE:** for detailed information regarding the RPC1 flow control valve, see catalogue 32 200.



# RPC1\*/4M

## SERIES 10

### 1 - IDENTIFICATION CODE

<b>R</b>	<b>P</b>	<b>C</b>	<b>1</b>	<b>-</b>	<b>/</b>	<b>4</b>	<b>M</b>	<b>/</b>	<b>/</b>	<b>10</b>	<b>/</b>	
----------	----------	----------	----------	----------	----------	----------	----------	----------	----------	-----------	----------	--

Pressure and temperature compensated flow control valve

Flow adjustment range:

<b>1</b> = 1 l/min	<b>16</b> = 16 l/min
<b>4</b> = 4 l/min	<b>22</b> = 22 l/min
<b>10</b> = 10 l/min	<b>30</b> = 30 l/min

**K** = only for ISO 4401-05 (CETOP 05) modular block supplied without flow control valves

Modular version \_\_\_\_\_  
ISO 4401-05 (CETOP 05) size

Seals: omit for mineral oils  
**V** = viton for special fluids

Series No. (the overall and mounting dimensions remain unchanged from 10 to 19)

**A** = control from chamber A of the actuator  
**B** = control from chamber B of the actuator  
**D** = control from chambers A and B of the actuator  
(A and B configurations are not available in K version)

### 2 - HYDRAULIC FLUIDS

Use mineral oil-based hydraulic fluids HL or HM type, according to ISO 6743-4. For these fluids, use NBR seals. For fluids HFDR type (phosphate esters) use FPM seals (code V). For the use of other kinds of fluid such as HFA, HFB, HFC, please consult our technical department. Using fluids at temperatures higher than 80 °C causes a faster degradation of the fluid and of the seals characteristics. The fluid must be preserved in its physical and chemical characteristics.

### 3 - OVERALL AND MOUNTING DIMENSIONS

dimensions in mm

1	Mounting surface with sealing rings: 5 OR type 2050 (12.42x1.78) - 90 Shore
2	Adjustment knob. Adjustment in 3 turns of the knob. Rotate anticlockwise to increase flow.
3	Knob locking screw
4	Side locking plate



**DIPLOMATiC OLEODiNAMiCA**  
**DIPLOMATiC OLEODiNAMiCA S.p.A.**  
 20015 PARABIAGO (MI) • Via M. Re Depaolini 24  
 Tel. +39 0331.895.111  
 Fax +39 0331.895.339  
 www.diplomatic.com • e-mail: sales.exp@diplomatic.com